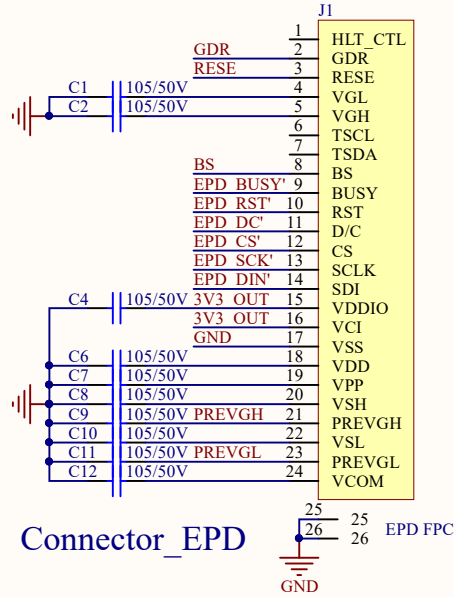
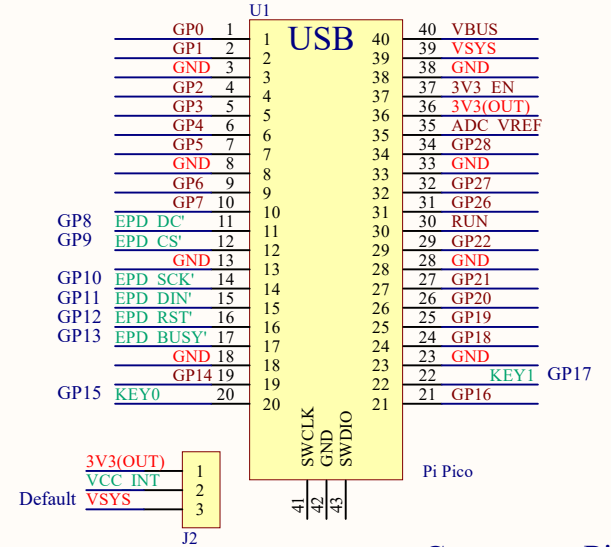


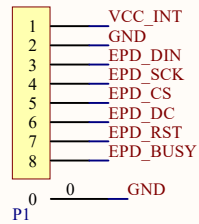
Boost



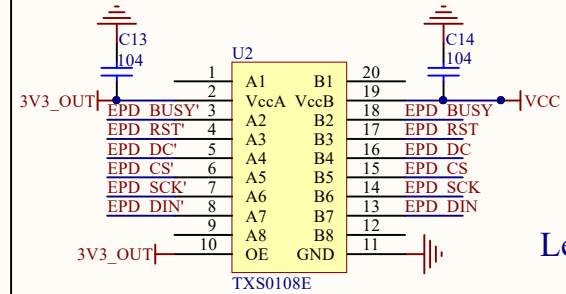
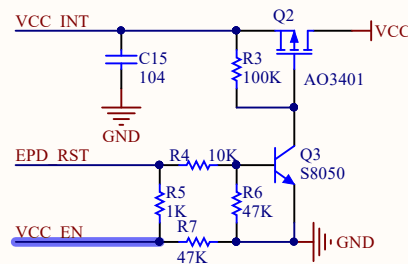
Connector\_EP D



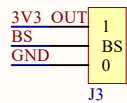
Connector\_Pico



Interface

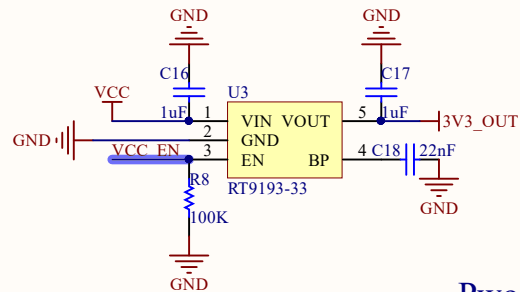


Level Switch

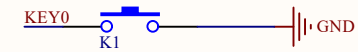


Pico-ePaper-4.2

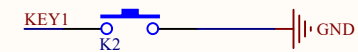
BS	VCC	GND
Interface	3-line SPI	4-line SPI



Pwoer



KEY0



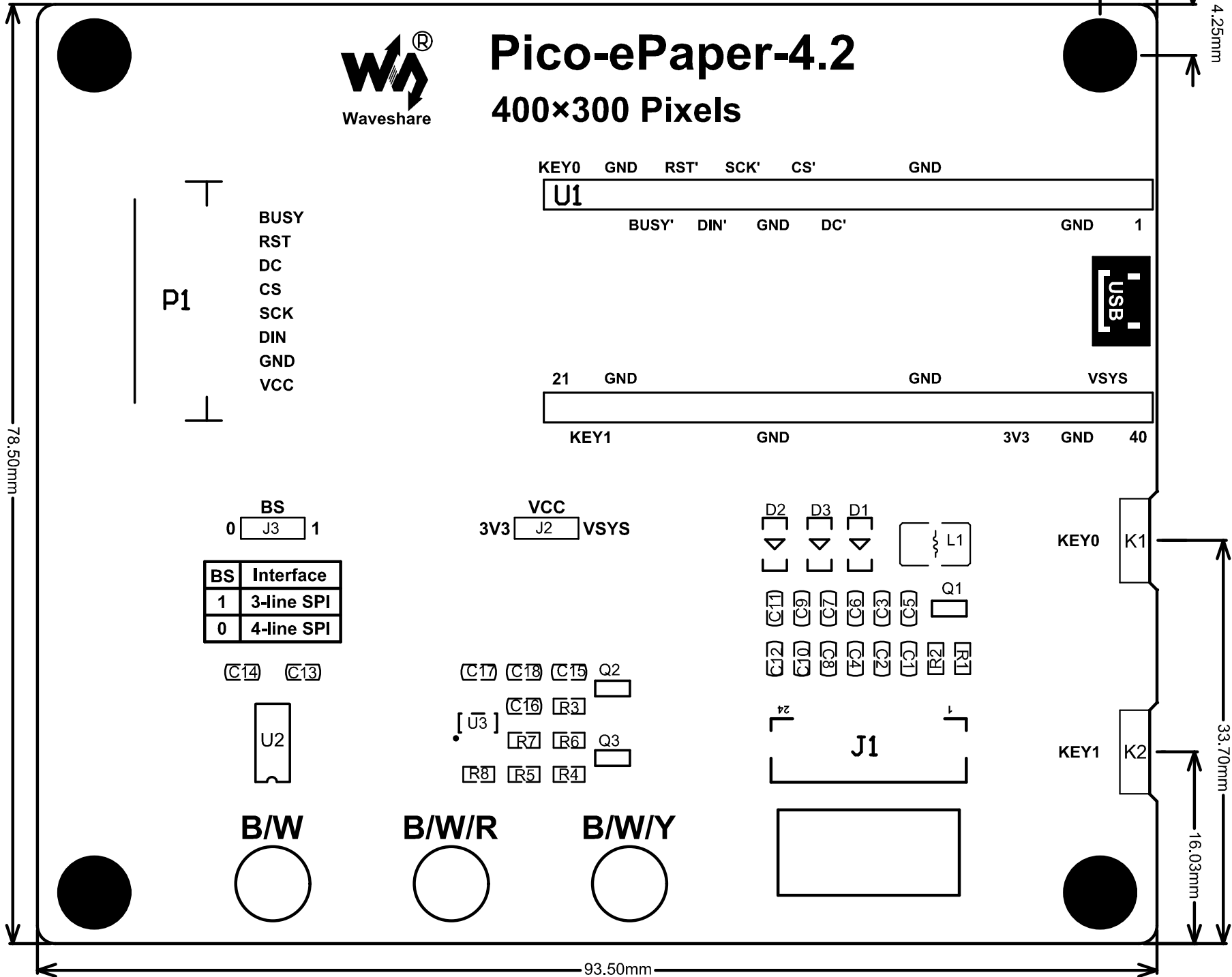
KEY1

Key



# Pico-ePaper-4.2

## 400×300 Pixels



P1

BUSY  
RST  
DC  
CS  
SCK  
DIN  
GND  
VCC

