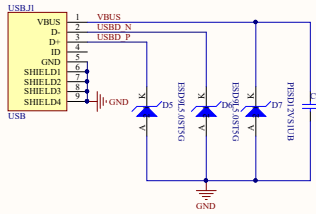
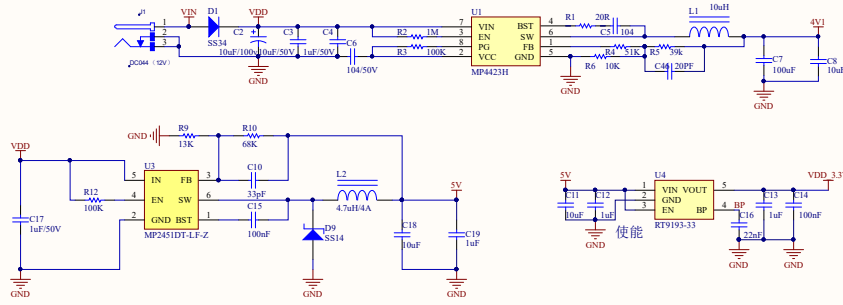


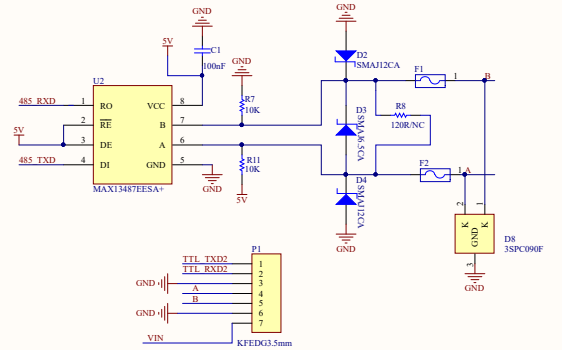
Micro USB Port



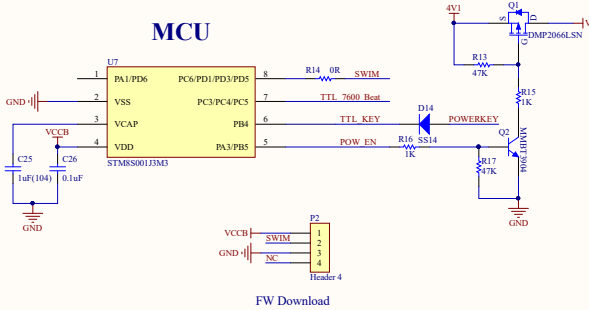
Power



RS485



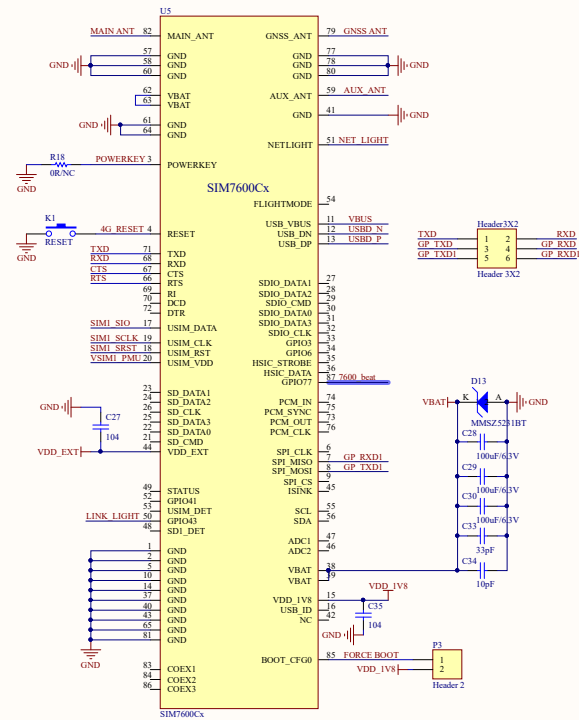
MCU



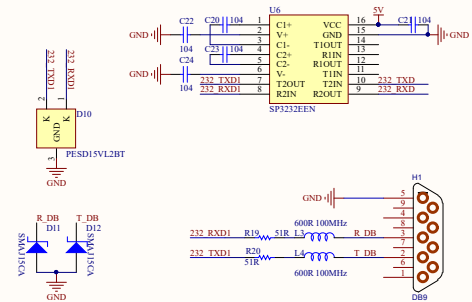
W

SIM7600X 4G DTU V2

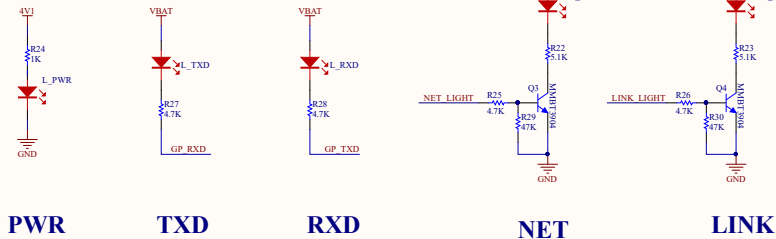
SIM7600CE-CNSE



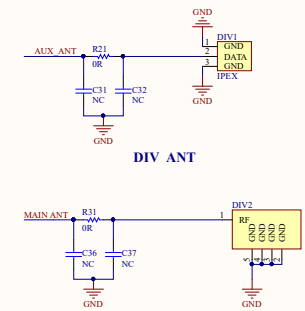
RS232



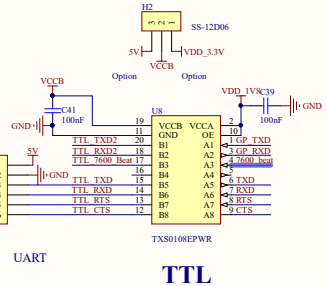
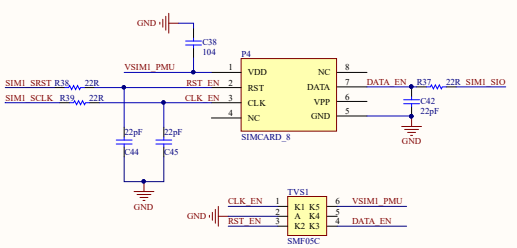
Indicator light



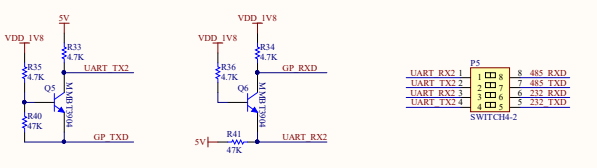
Antenna



SIM_CARD



TTL_UART



MAIN ANT

