

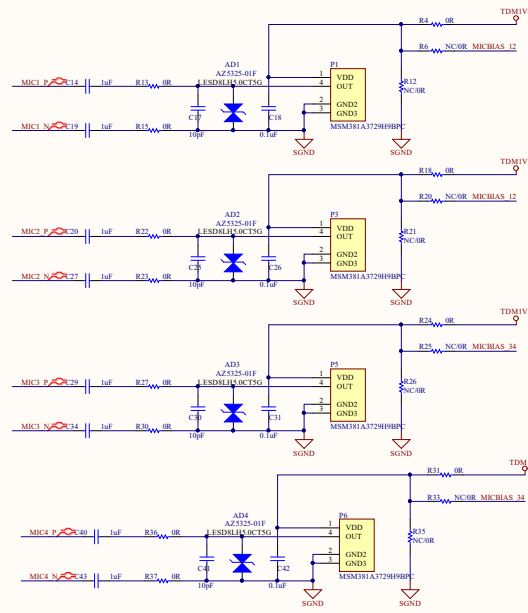
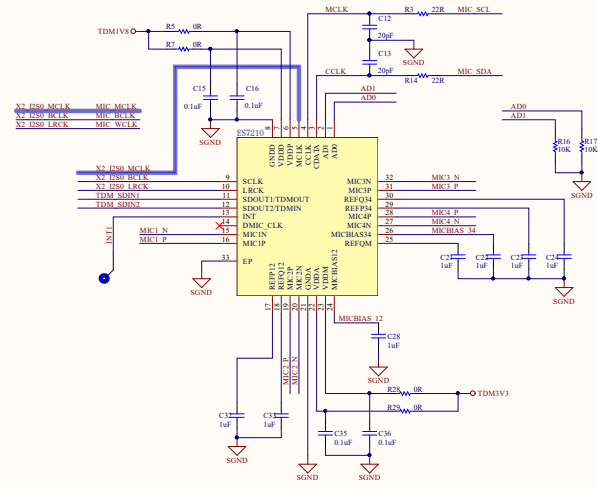
X2 I2S0 MCLK	X2A I2S0 MCLK
X2 I2S0 LRCK	X2A I2S0 LRCK
X2 I2S0 BCLK	X2A I2S0 BCLK
X2 I2S0 SD	X2A I2S0 SD

X2 GPIO0	X2A GPIO0
X2 GPIO1	X2A GPIO1

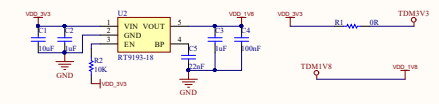
X2 I2C SCK	X2A I2C SCK
X2 I2C SDA	X2A I2C SDA

From MIC Array

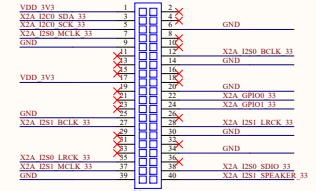
MIC_SCL	X2 I2C SCK
MIC_SDA	X2 I2C SDA



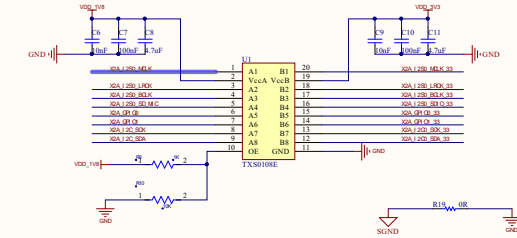
MIC



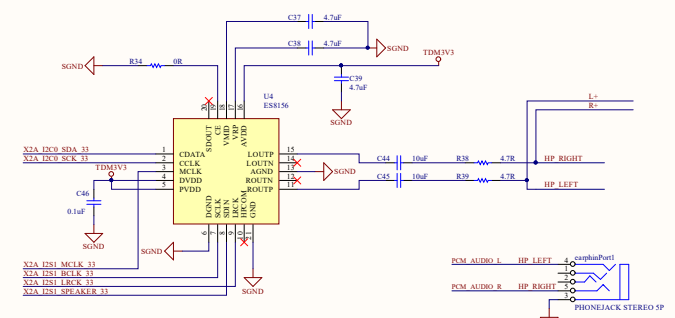
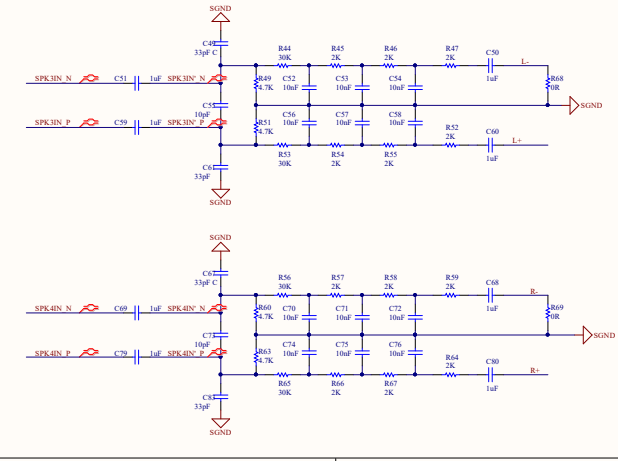
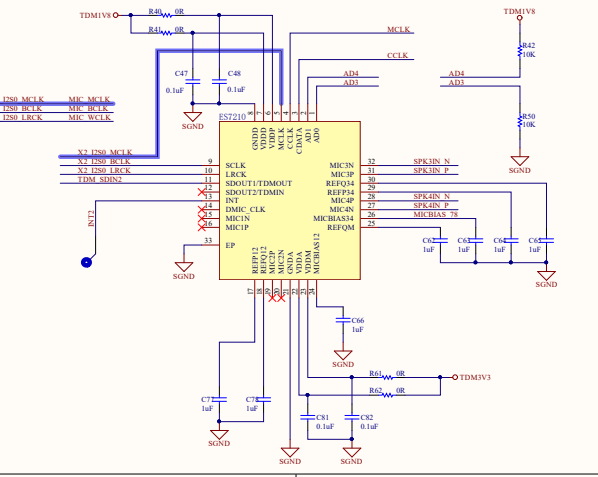
Power



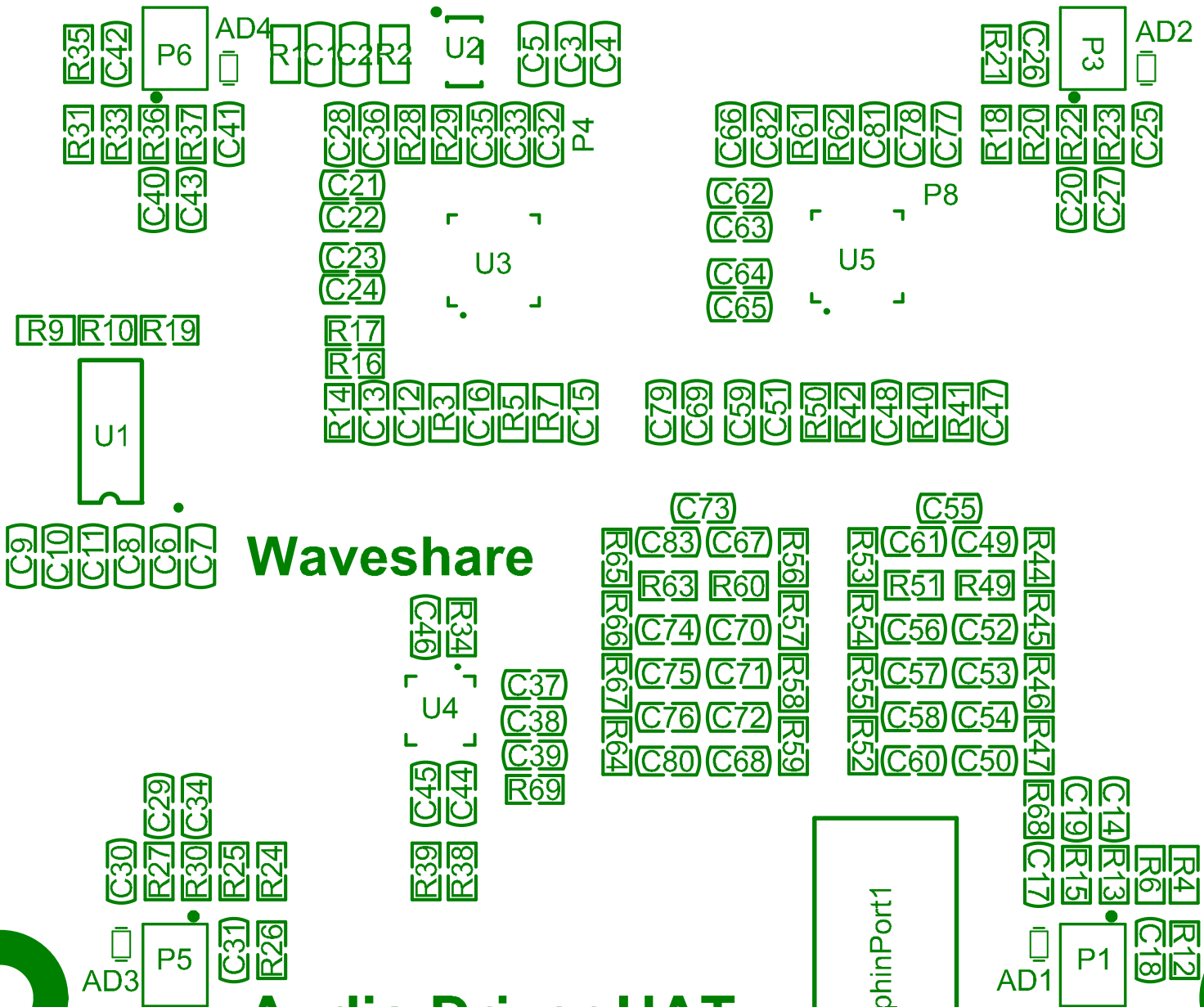
To X3 PI Board



Signal Trans



Audio Driver HAT



Waveshare

Audio Driver HAT

earphinPort1