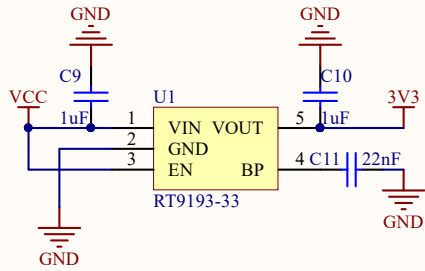
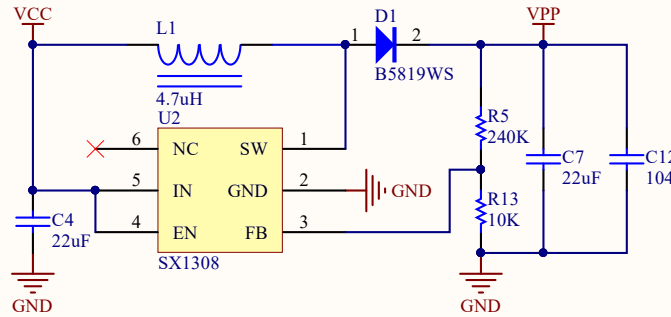


# POWER

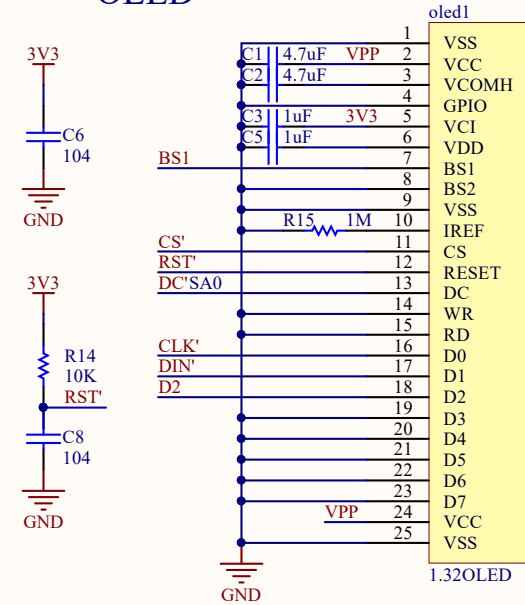


1.32inch OLED Module

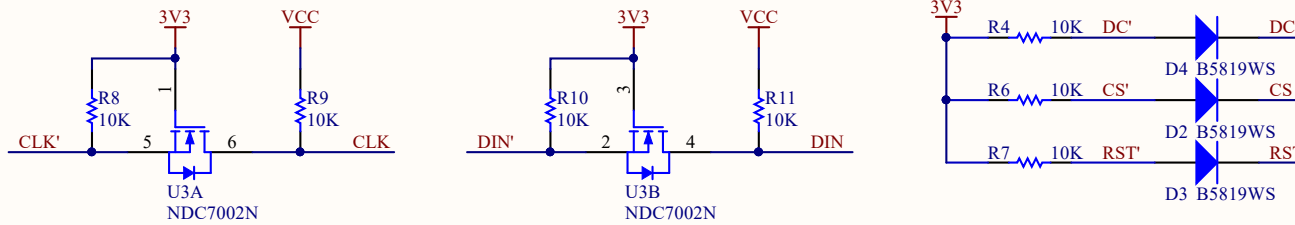
# BOOST



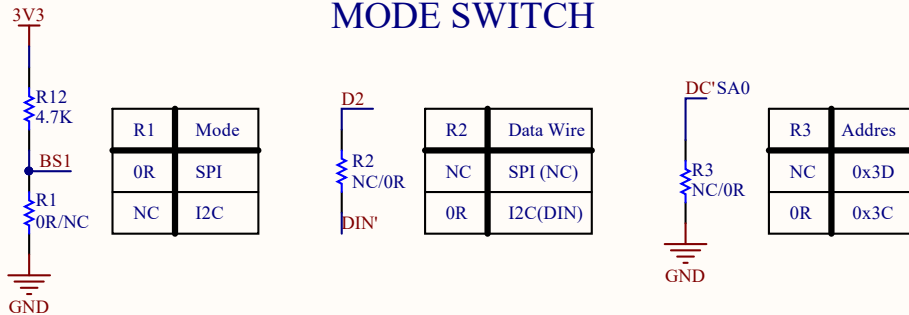
# OLED



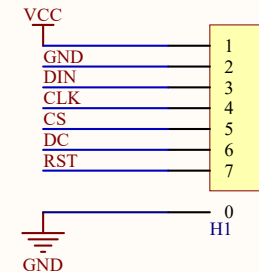
# LEVEL SWITCH



# MODE SWITCH

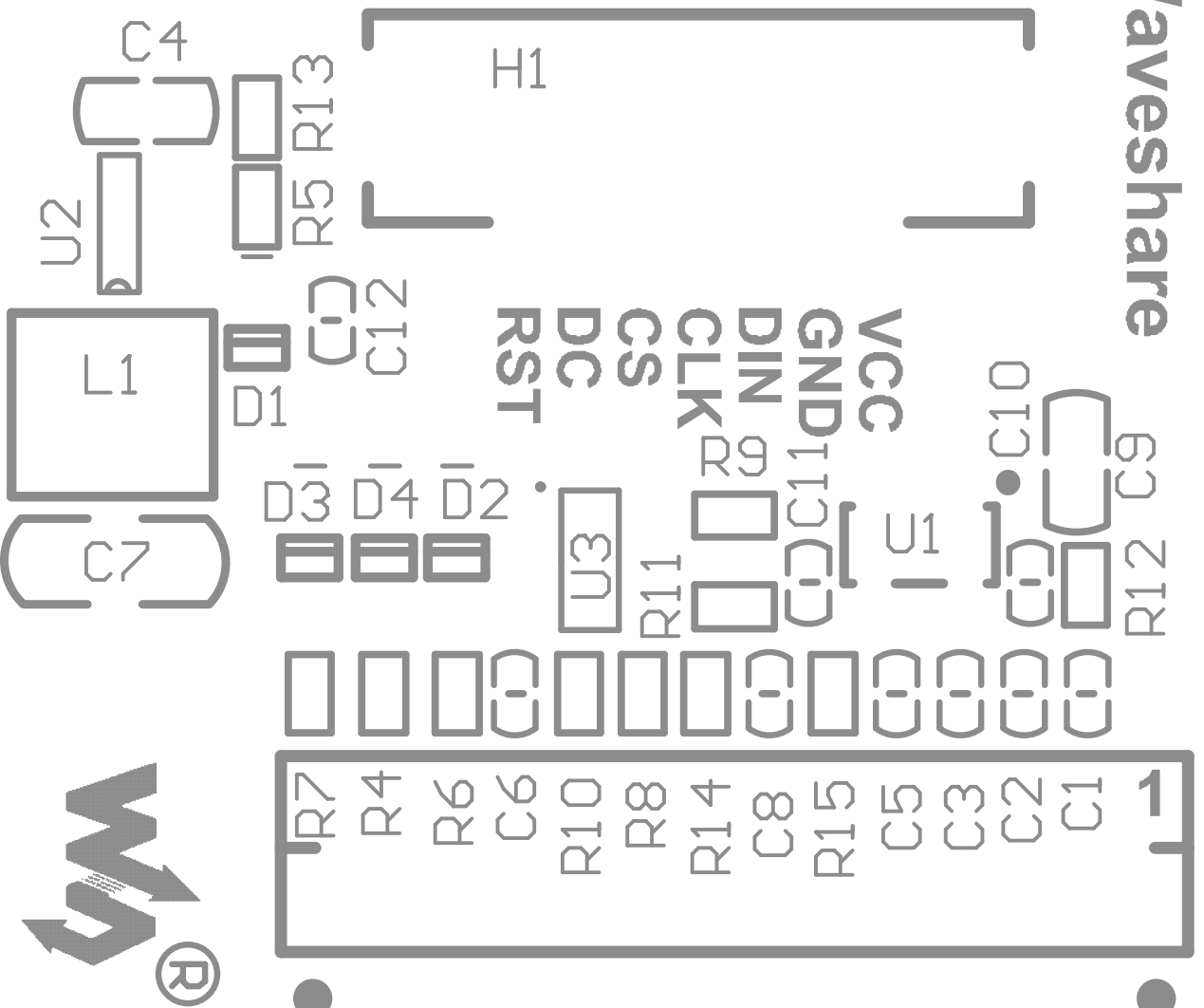


# INTERFACE



R1			R2		R3	
I2C	NC	OR	OR	OR	OR	OR
SPI	OR	NC	NC	NC	NC	NC

Waveshare



1.32inch OLED Module

