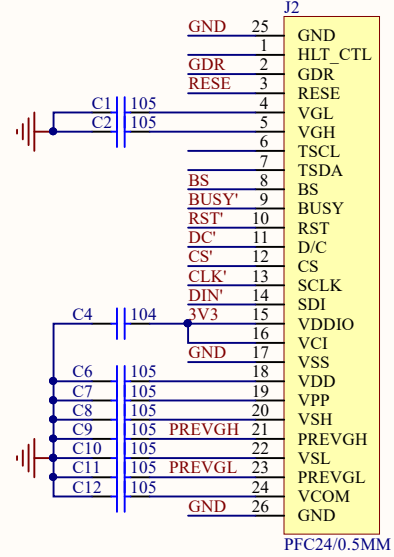
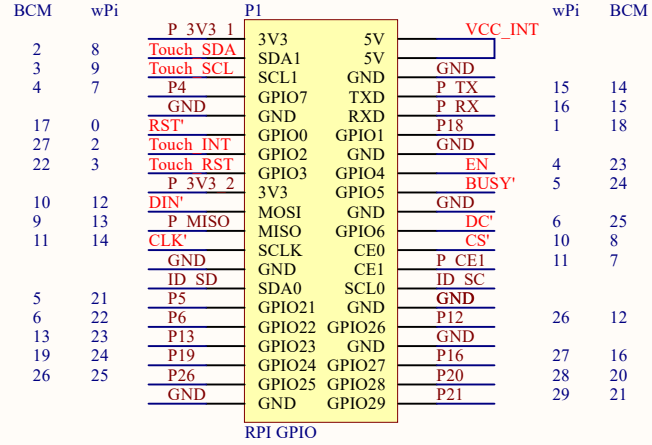


Boost

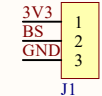


Connector_EPd

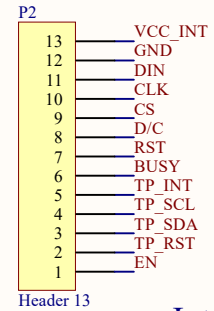


Connector_Rpi

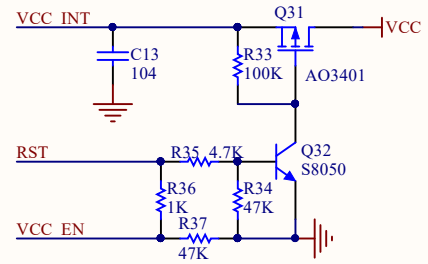
	VCC	GND
BS	3-line SPI	4-line SPI



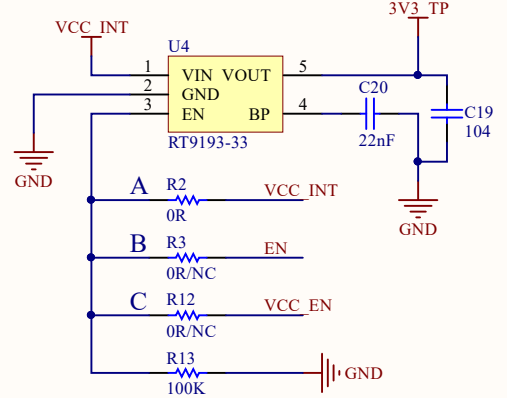
2.9inch Touch e-Paper HAT Rev1.0



Interface

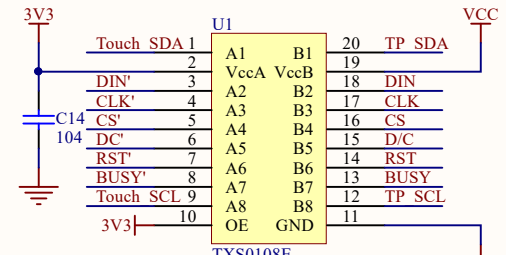


Power_EPd

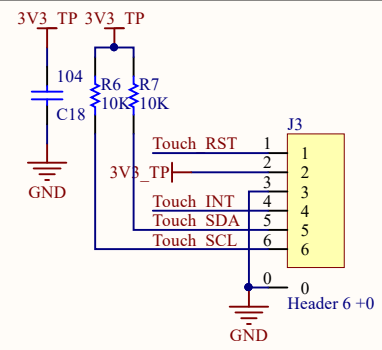


Power_TP

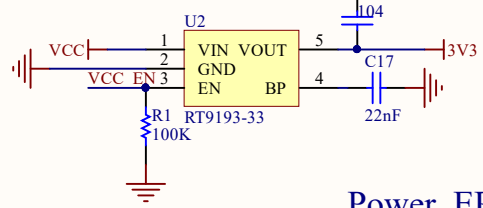
0R	A	B	C	NC
EN	VCC	EN	VEN	GND



Level Switch



Connector_TP



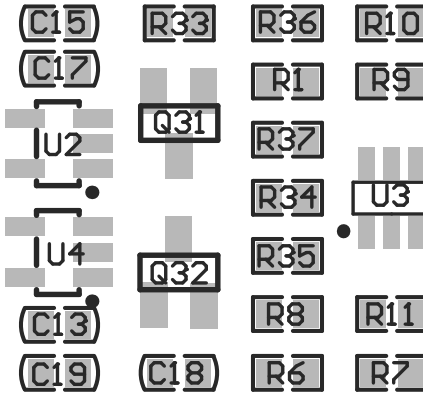
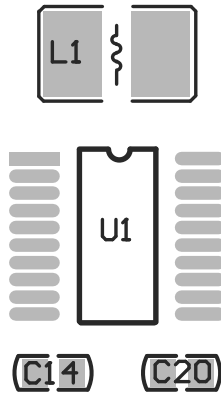
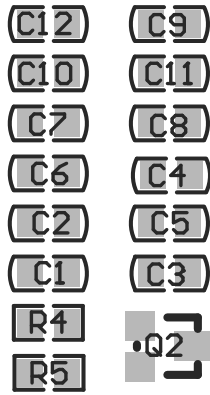
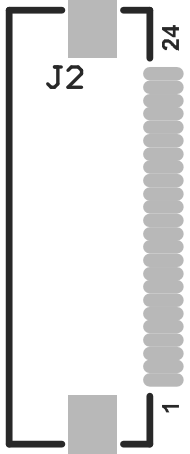
79.50mm



2.9inch Touch e-Paper HAT

296x128 Pixels

logo1



Rev1.0

BS	0	1
SPI	4-line	3-line

