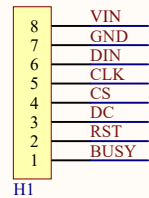
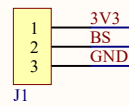


1.02inch e-Paper

1.02inch e-Paper

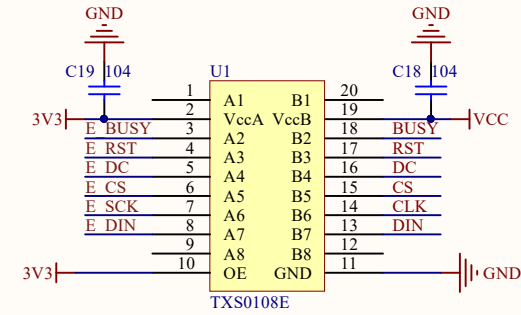


Interface

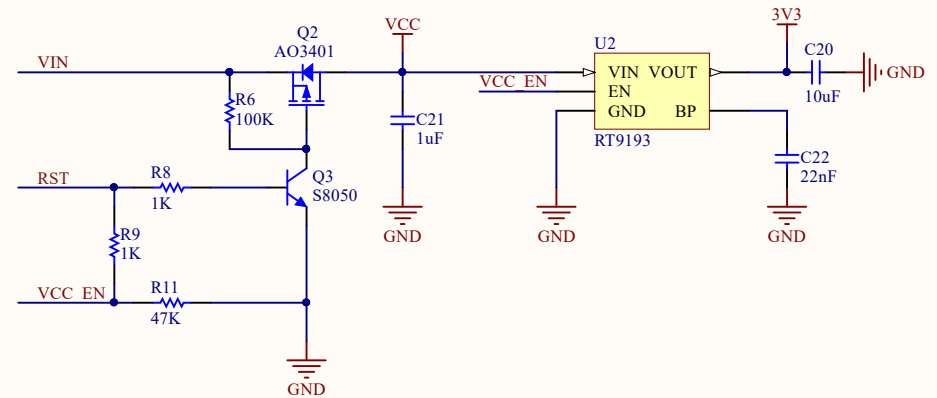


J1

BS	VCC	GND
Interface	3-line SPI	4-line SPI



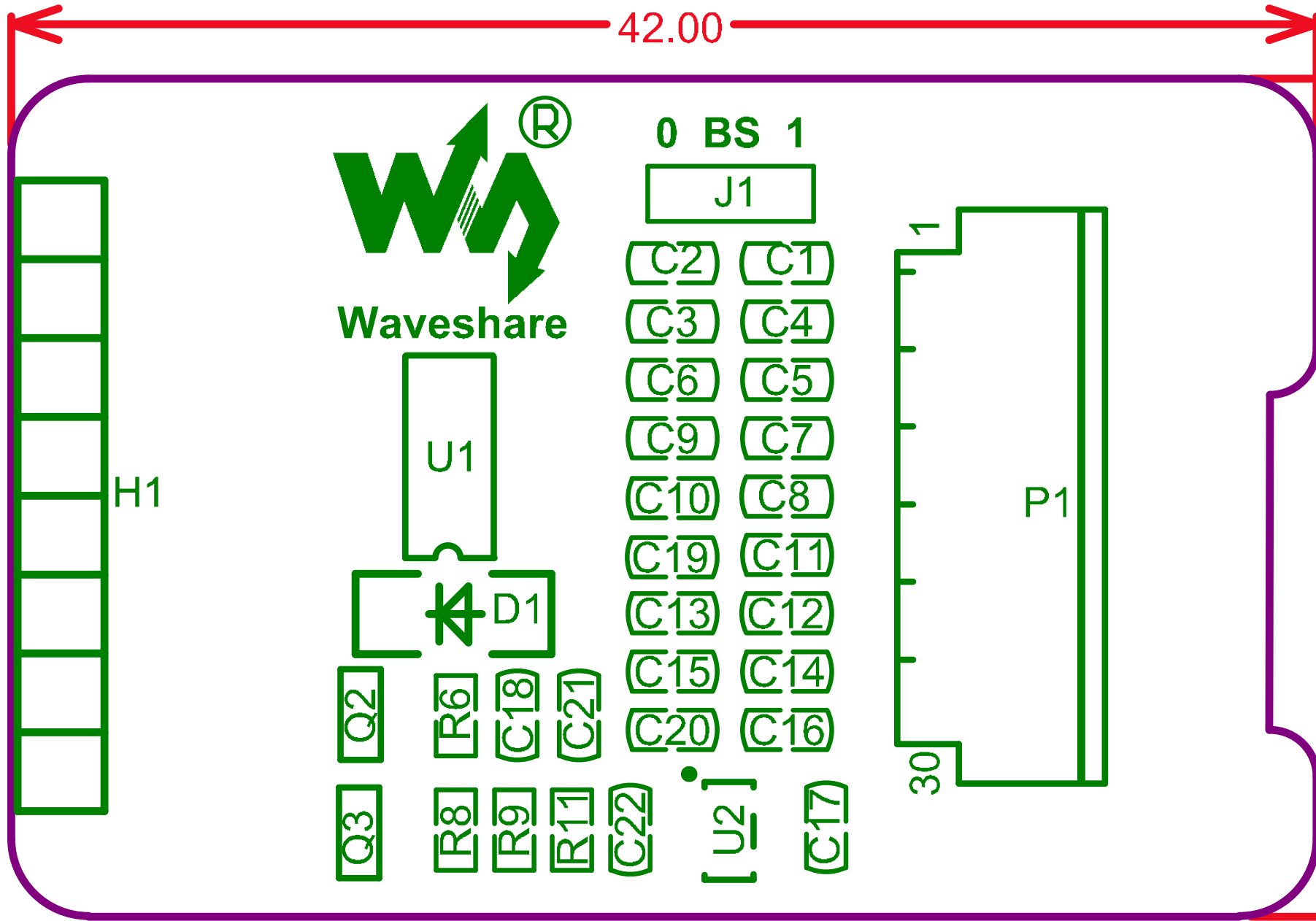
Logic Level Converter



Power



1.02inch e-Paper Module



42.00

27.00