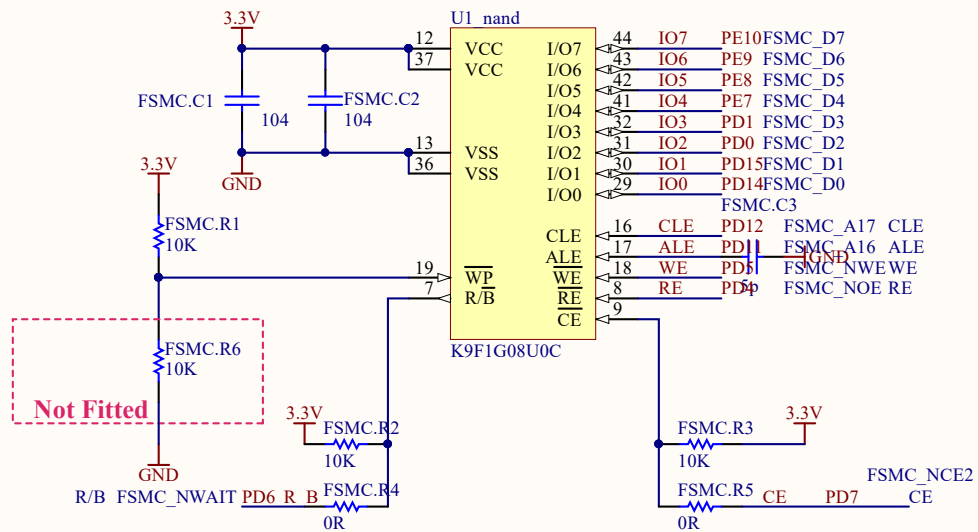
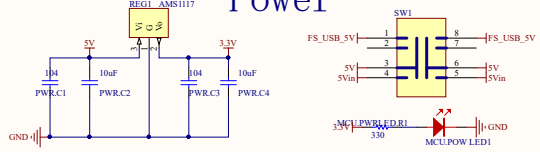


FSMC 8BIT NAND FLASH

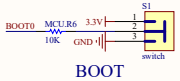


Title		
Size	Number	Revision
A		
Date:	2018/6/22	Sheet of
File:	D:\SVN\...\NandFlash Board(A).SchDoc	Drawn By:

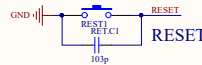
Power



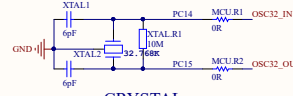
BOOT



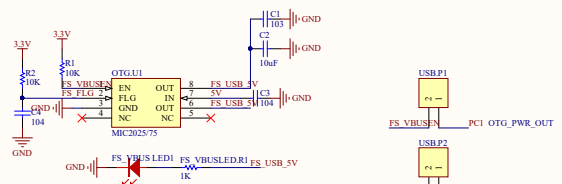
RESET



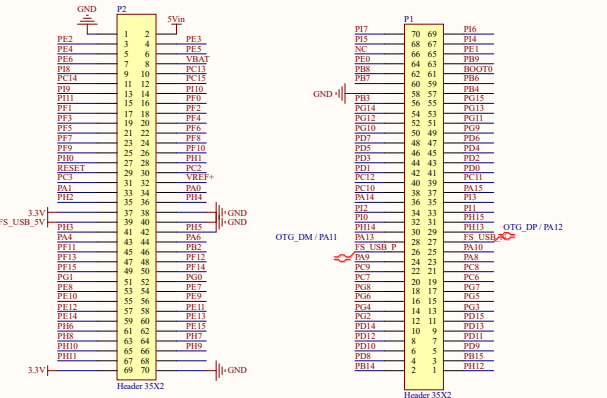
CRYSTAL



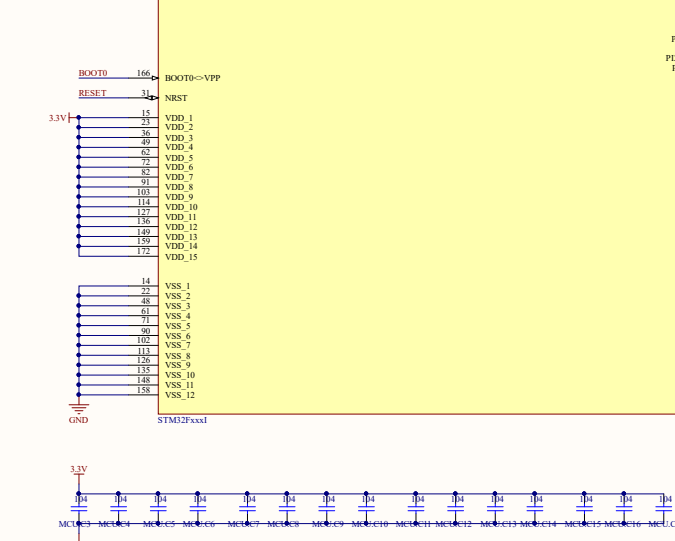
USB OTG



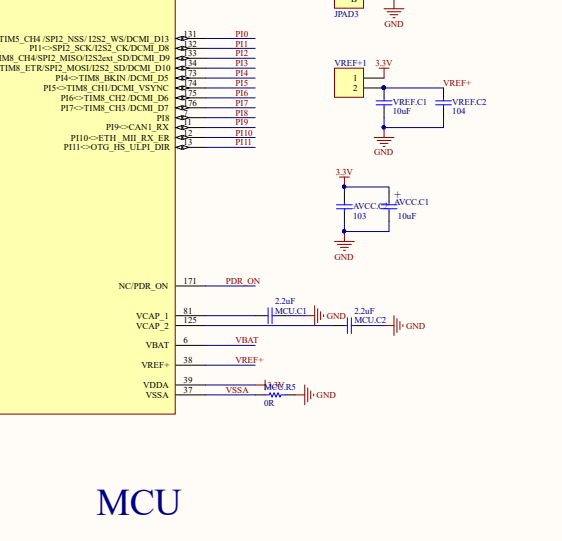
Pin Port



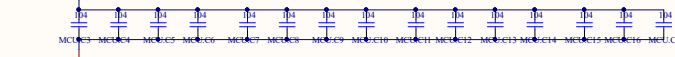
Pin	Function
PA0	IO2
PA1	IO3
PA2	IO4
PA3	IO5
PA4	IO6
PA5	IO7
PA6	IO8
PA7	IO9
PA8	IO10
PA9	IO11
PA10	IO12
PA11	IO13
PA12	IO14
PA13	IO15
PA14	IO16
PA15	IO17
PA16	IO18
PA17	IO19
PA18	IO20
PA19	IO21
PA20	IO22
PA21	IO23
PA22	IO24
PA23	IO25
PA24	IO26
PA25	IO27
PA26	IO28
PA27	IO29
PA28	IO30
PA29	IO31
PA30	IO32
PA31	IO33
PA32	IO34
PA33	IO35
PA34	IO36
PA35	IO37
PA36	IO38
PA37	IO39
PA38	IO40
PA39	IO41
PA40	IO42
PA41	IO43
PA42	IO44
PA43	IO45
PA44	IO46
PA45	IO47
PA46	IO48
PA47	IO49
PA48	IO50
PA49	IO51
PA50	IO52
PA51	IO53
PA52	IO54
PA53	IO55
PA54	IO56
PA55	IO57
PA56	IO58
PA57	IO59
PA58	IO60
PA59	IO61
PA60	IO62
PA61	IO63
PA62	IO64
PA63	IO65
PA64	IO66
PA65	IO67
PA66	IO68
PA67	IO69
PA68	IO70
PA69	IO71
PA70	IO72
PA71	IO73
PA72	IO74
PA73	IO75
PA74	IO76
PA75	IO77
PA76	IO78
PA77	IO79
PA78	IO80
PA79	IO81
PA80	IO82
PA81	IO83
PA82	IO84
PA83	IO85
PA84	IO86
PA85	IO87
PA86	IO88
PA87	IO89
PA88	IO90
PA89	IO91
PA90	IO92
PA91	IO93
PA92	IO94
PA93	IO95
PA94	IO96
PA95	IO97
PA96	IO98
PA97	IO99
PA98	IO100
PA99	IO101
PA100	IO102



Pin	Function
PD0	IO103
PD1	IO104
PD2	IO105
PD3	IO106
PD4	IO107
PD5	IO108
PD6	IO109
PD7	IO110
PD8	IO111
PD9	IO112
PD10	IO113
PD11	IO114
PD12	IO115
PD13	IO116
PD14	IO117
PD15	IO118
PD16	IO119
PD17	IO120
PD18	IO121
PD19	IO122
PD20	IO123
PD21	IO124
PD22	IO125
PD23	IO126
PD24	IO127
PD25	IO128
PD26	IO129
PD27	IO130
PD28	IO131
PD29	IO132
PD30	IO133
PD31	IO134
PD32	IO135
PD33	IO136
PD34	IO137
PD35	IO138
PD36	IO139
PD37	IO140
PD38	IO141
PD39	IO142
PD40	IO143
PD41	IO144
PD42	IO145
PD43	IO146
PD44	IO147
PD45	IO148
PD46	IO149
PD47	IO150
PD48	IO151
PD49	IO152
PD50	IO153
PD51	IO154
PD52	IO155
PD53	IO156
PD54	IO157
PD55	IO158
PD56	IO159
PD57	IO160
PD58	IO161
PD59	IO162
PD60	IO163
PD61	IO164
PD62	IO165
PD63	IO166
PD64	IO167
PD65	IO168
PD66	IO169
PD67	IO170
PD68	IO171
PD69	IO172
PD70	IO173
PD71	IO174
PD72	IO175
PD73	IO176
PD74	IO177
PD75	IO178
PD76	IO179
PD77	IO180
PD78	IO181
PD79	IO182
PD80	IO183
PD81	IO184
PD82	IO185
PD83	IO186
PD84	IO187
PD85	IO188
PD86	IO189
PD87	IO190
PD88	IO191
PD89	IO192
PD90	IO193
PD91	IO194
PD92	IO195
PD93	IO196
PD94	IO197
PD95	IO198
PD96	IO199
PD97	IO200
PD98	IO201
PD99	IO202
PD100	IO203



MCU



RTC Battery

