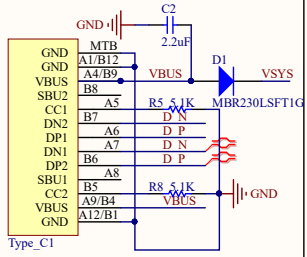
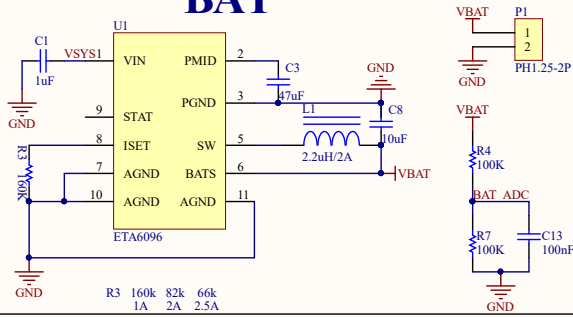


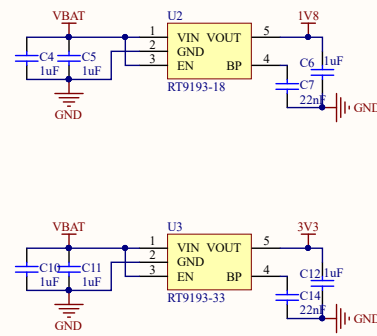
# Type-C



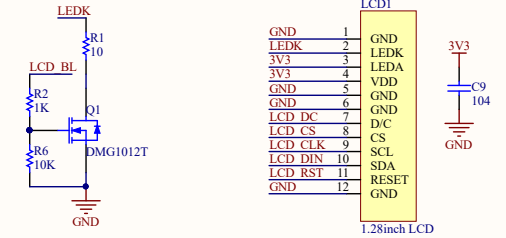
# BAT



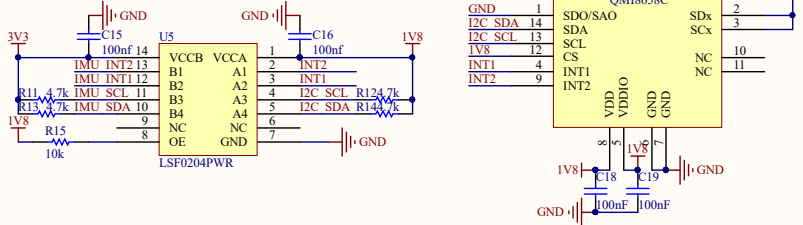
# POWER



# LCD

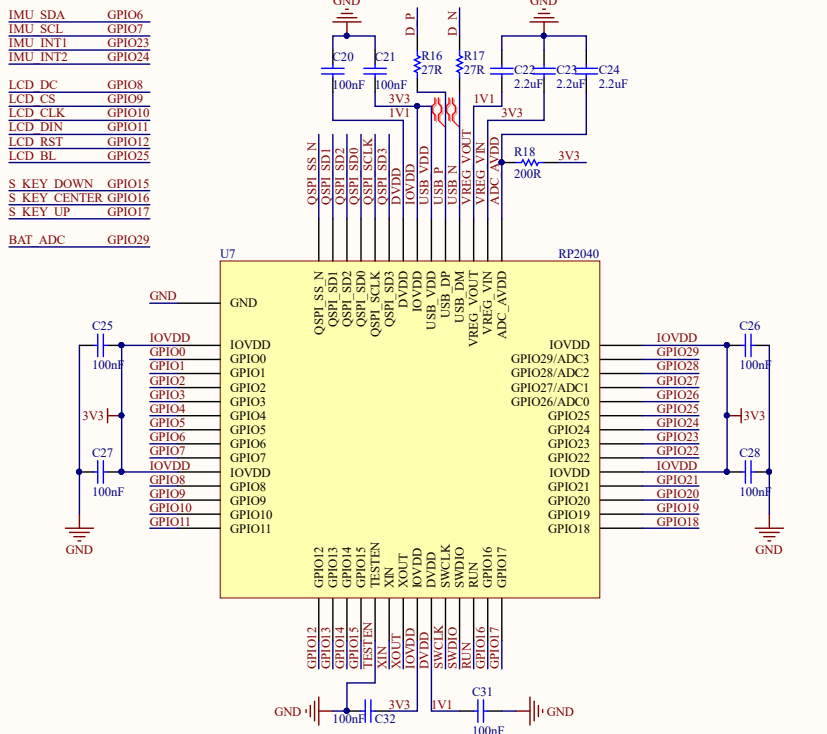


# IMU

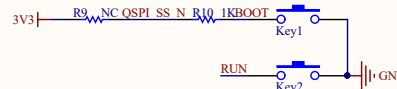


W  
aveshare  
RP2040-LCD-1.28

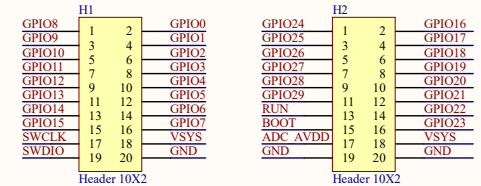
# RP2040



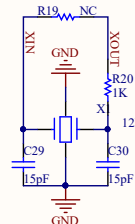
# KEY



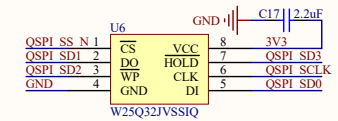
# GPIO\_OUT

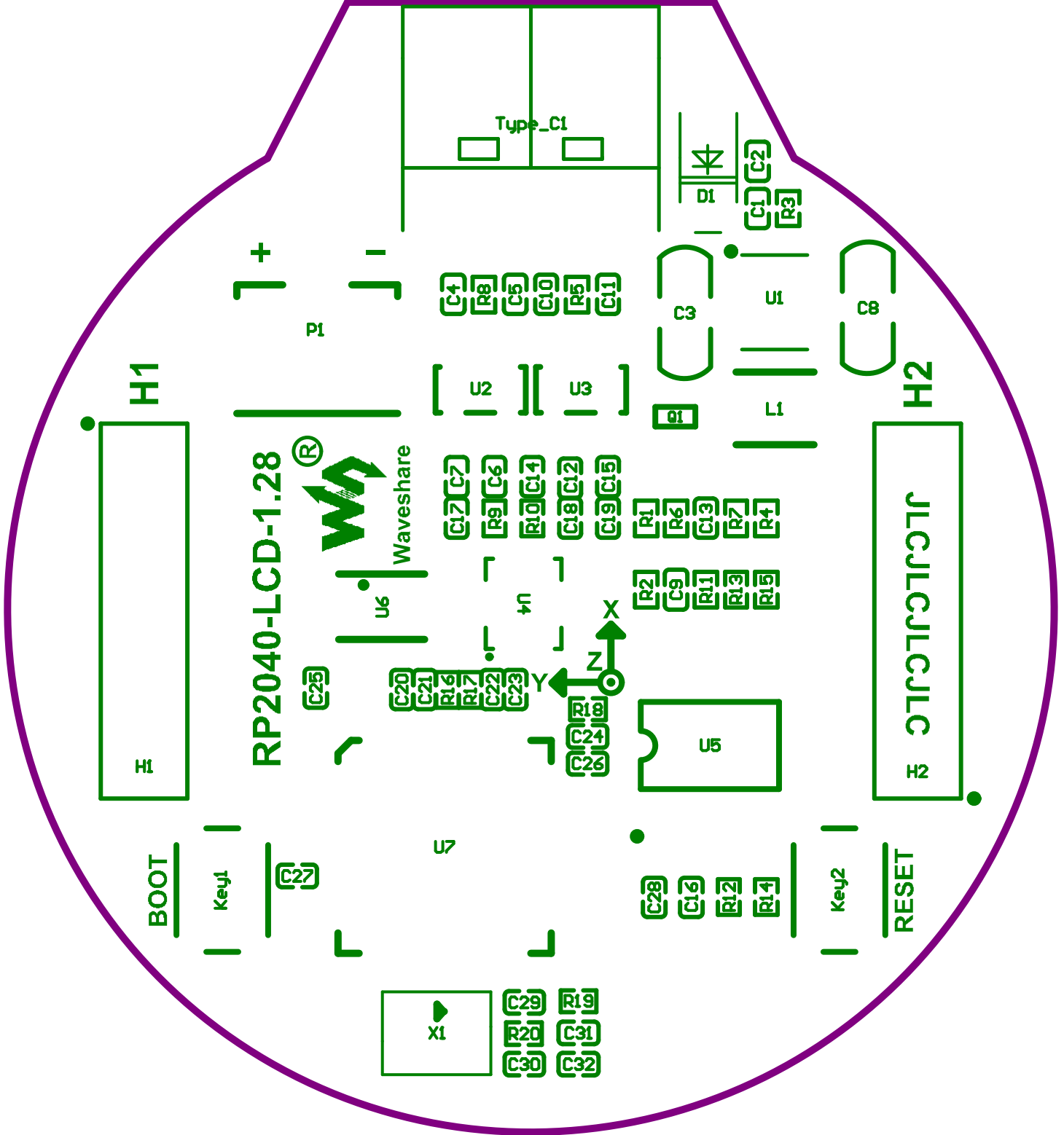


# XTAL



# FLASH





H1  
E

BOOT

Key1

RP2040-LCD-1.28



X1

C29 R20 C31  
C30 C32

C4 R8 C5 C10 R5 C11

C2 C7 R9 C6 R10 C14 C18 C12 C19 C15

C20 C21 R16 R17 C22 C23 C24 R18

U5

R2 C9 R11 R13 R15 R6 C13 R7 R4

U1 C3

F C1 C2 R3

Key2

RESET

H2  
E

Type\_C1