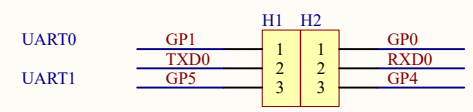
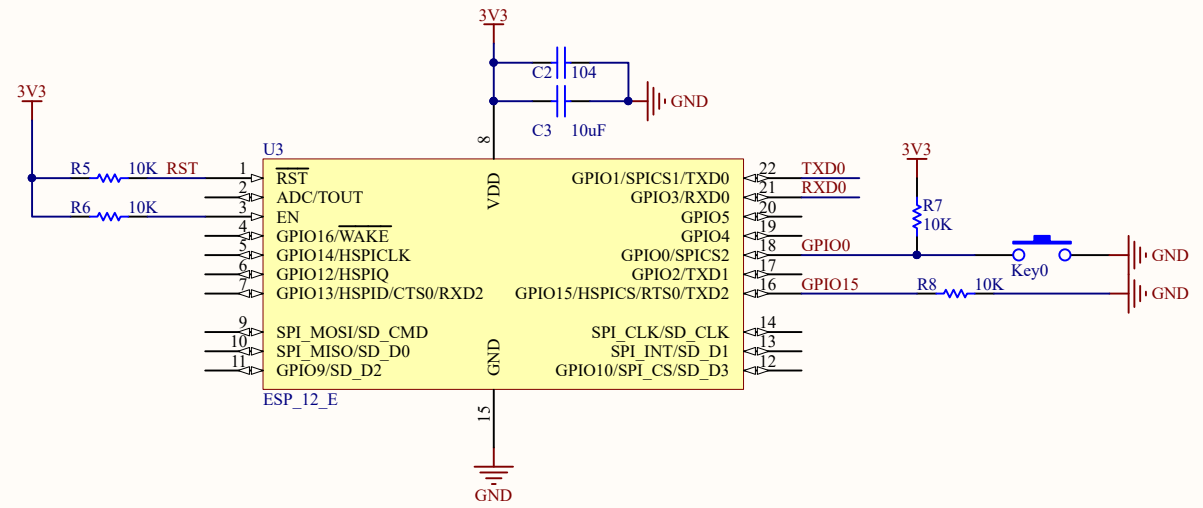
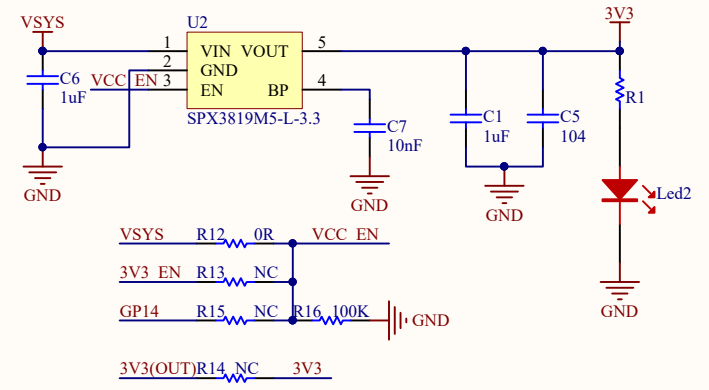


U1 USB	
GP0	1
GP1	2
GND	3
GP2	4
GP3	5
GP4	6
GP5	7
GND	8
GP6	9
GP7	10
GP8	11
GP9	12
GND	13
GP10	14
GP11	15
GP12	16
GP13	17
GND	18
GP14	19
GP15	20
GPIO0	40
VBUS	39
VSYS	38
GND	37
3V3_EN	36
3V3(OUT)	35
ADC_VREF	34
GP28	33
GND	32
GP27	31
GP26	30
RUN	29
GP22	28
GND	27
GP21	26
GP20	25
GP19	24
GP18	23
GND	22
GP17	21
GP16	20

Pi pico (40P)



Pico-ESP8266