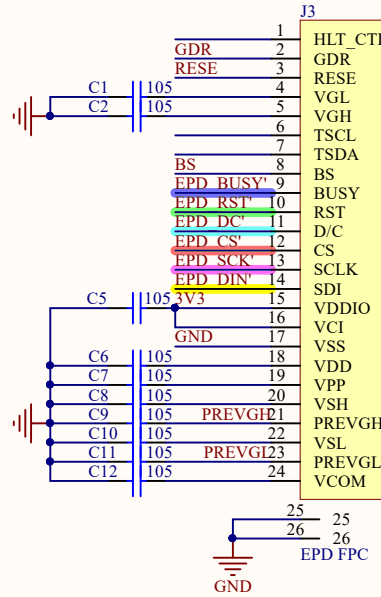
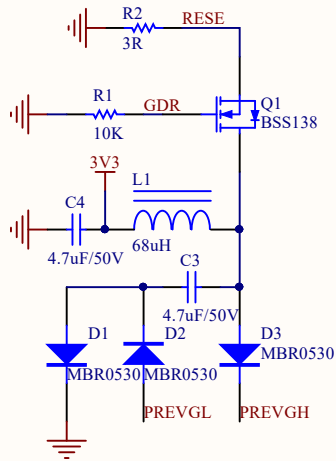
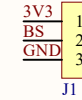


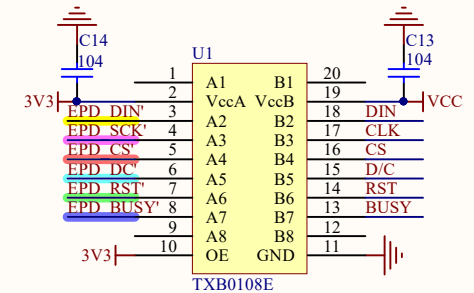
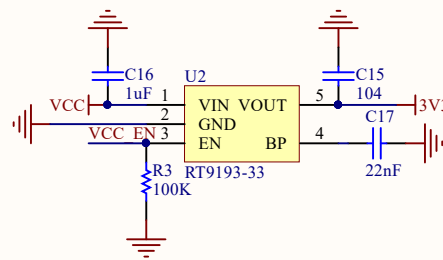
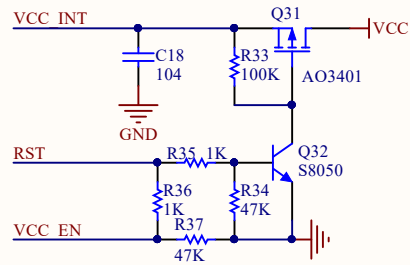
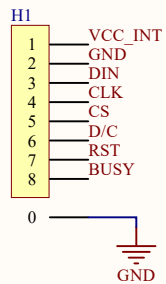


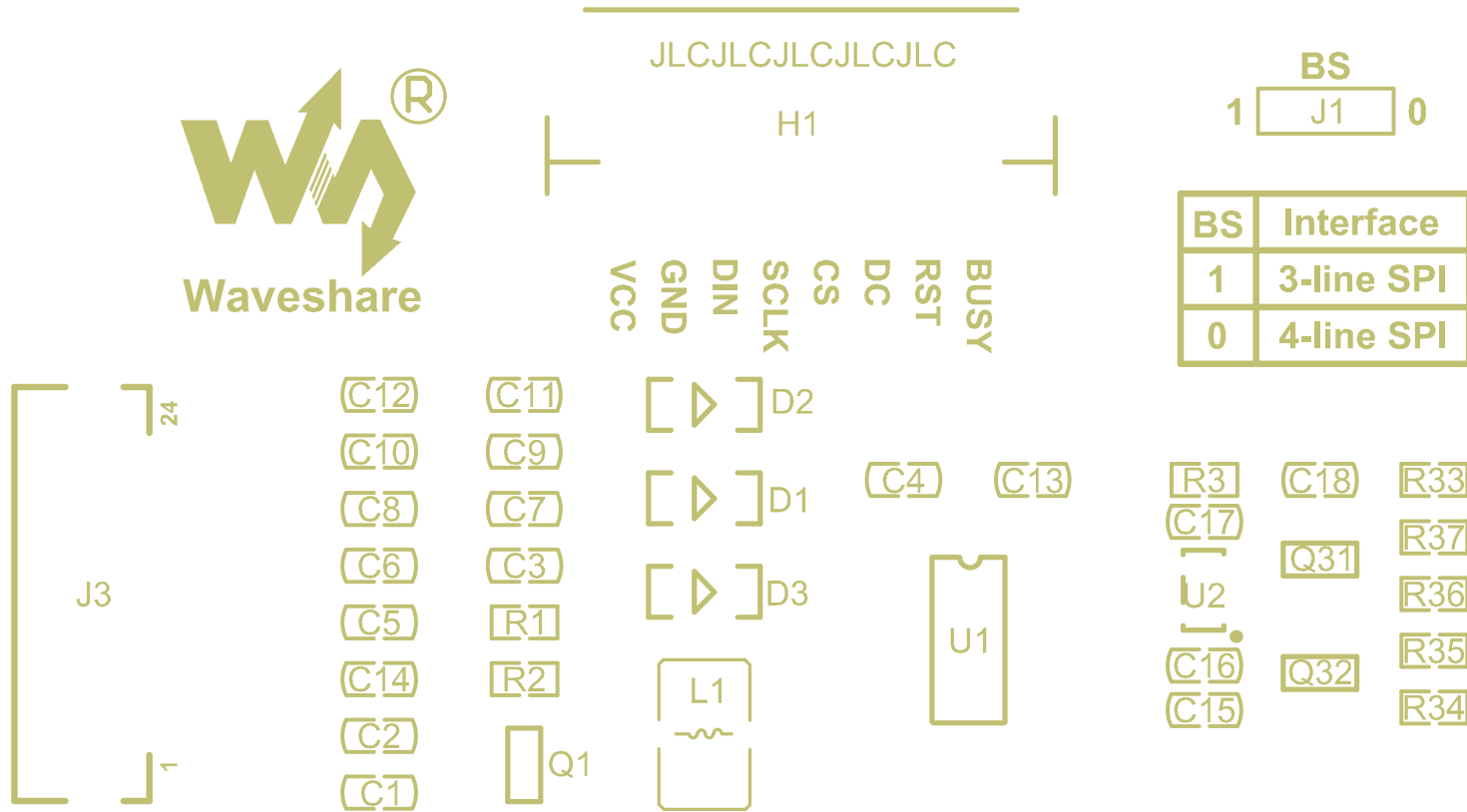
3.52inch e-Paper HAT

	VCC	GND
BS	3-line SPI	4-line SPI



BCM	wPi	P12	RPI GPIO	wPi	BCM
		P 3.3V	3V3	5V	RPI 5V
		P_SDA	SDA1	5V	RPI 5V
		P_SCL	SCL1	GND	GND
2	8	P4	GPIO7	TXD	TXD
3	9	GND	GND	RXD	RXD
4	7	GND	GPIO0	P18	P18
		EPD_RST'	GPIO1	GND	GND
17	0	P27	GPIO2	GND	GND
27	2	P22	GPIO3	P23	P23
22	3	P 3V3	GPIO4	EPD_BUSY'	EPD_BUSY'
		P 3V3	GPIO5	GND	GND
10	12	EPD_DIN'	MOSI	GND	GND
9	13	P_MISO	MISO	GPIO6	EPD_DC'
11	14	EPD_SCK'	SCLK	CE0	EPD_CS'
		GND	GND	P_CE1	P_CE1
		ID_SD	SDA0	SCL0	ID_SC
5	21	P5	GPIO21	GND	GND
6	22	P6	GPIO22	P12	P12
13	23	P13	GPIO23	GPIO26	GND
19	24	P19	GPIO24	GND	P16
26	25	P26	GPIO25	GPIO27	P20
		GND	GPIO29	P21	P21





BS	Interface
1	3-line SPI
0	4-line SPI

3.52inch e-Paper HAT

360×240 Pixels

