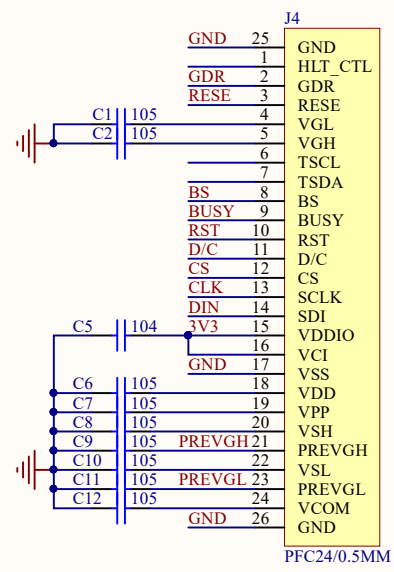
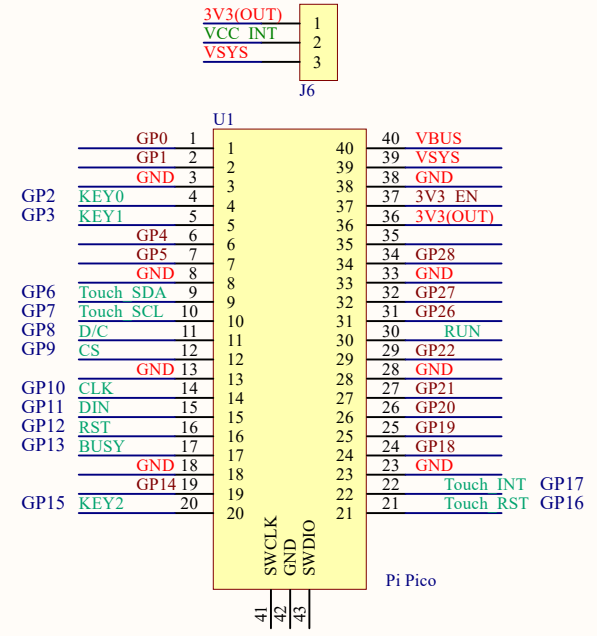


Boost

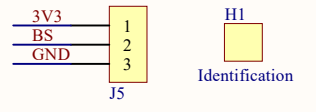


Connector\_EPd

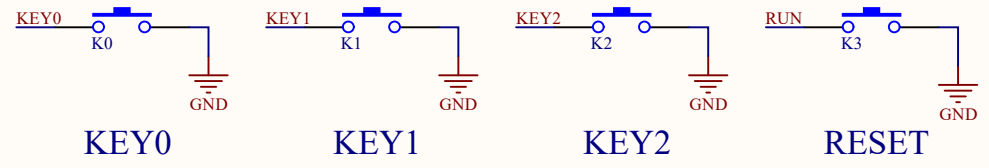


Connector\_Pico

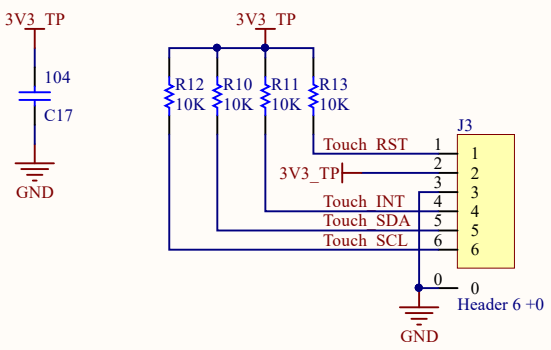
	VCC	GND
BS	3-line SPI	4-line SPI



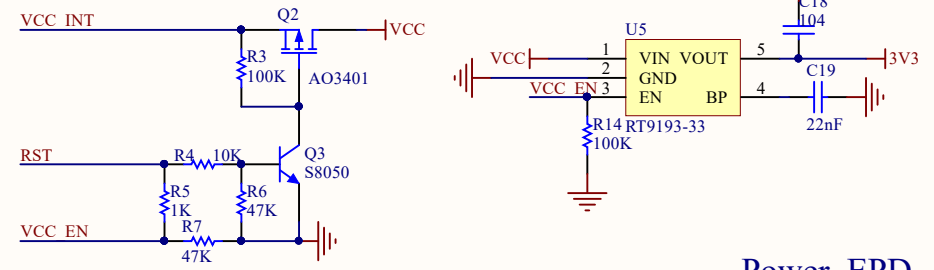
Pico-CapTouch-ePaper-2.9  
Rev1.0



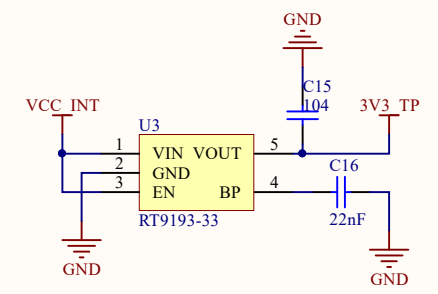
KEY0 KEY1 KEY2 RESET



Connector\_TP



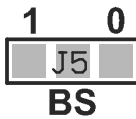
Power\_EPd



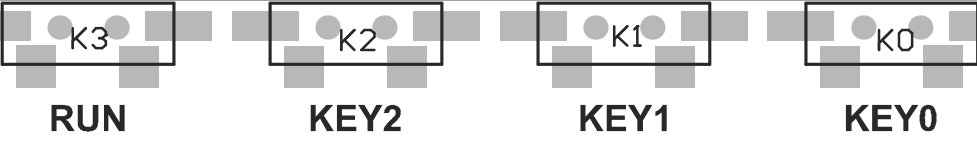
Power\_TP

79.50mm

2.15mm



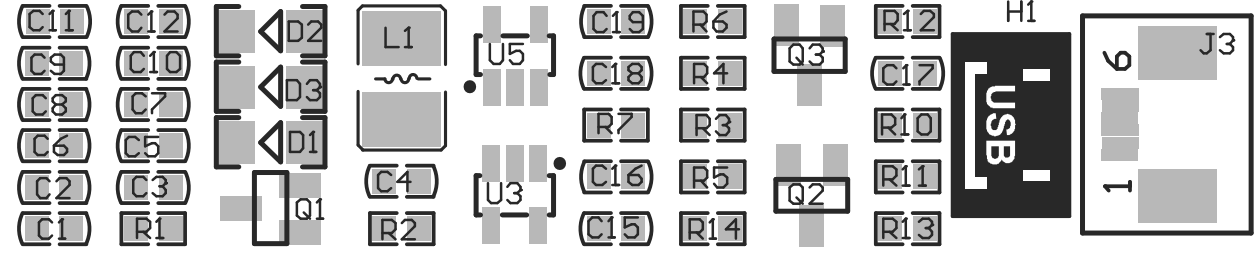
BS	0	1
SPI	4-line	3-line



KEY2 GND ERST CLK CS SCL GND KEY0



BUSY DIN GND DC SDA KEY1 GND



TRST GND GND VSYS



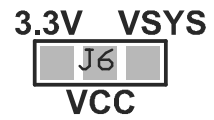
INT GND RUN 3.3V GND

Rev1.0



# Pico-CapTouch-ePaper-2.9

296×128 Pixels



4.10mm  
4.10mm