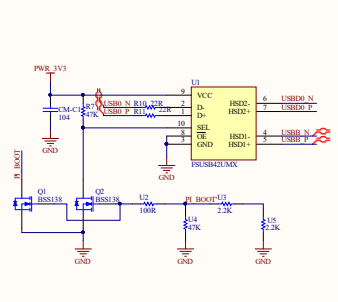
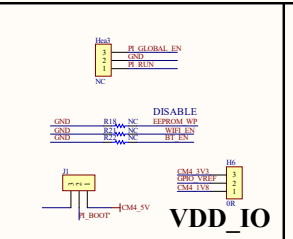


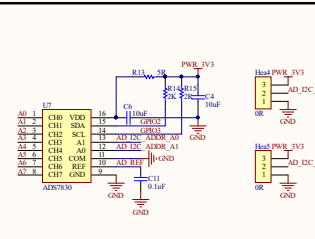
CM4\_Interface



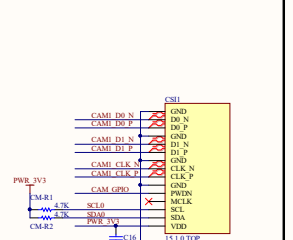
USB TPYE-C/HOST



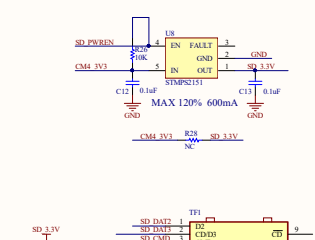
Multifunction



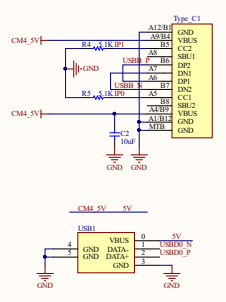
ADC



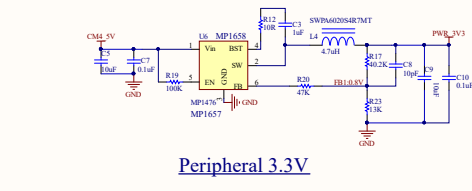
CSI



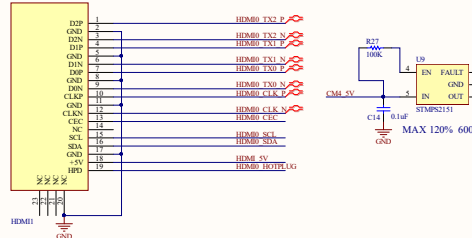
SD CARD



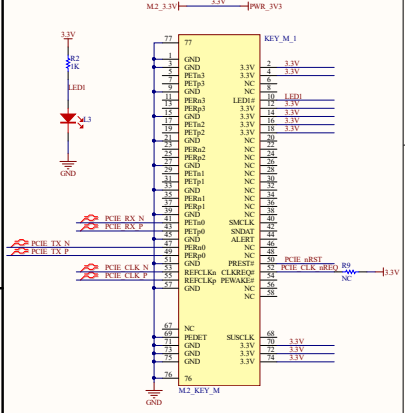
Arduino interface



Power OUT

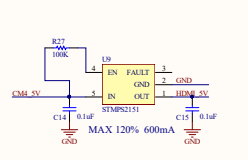


HDMIO



M.2

W



KEY LED