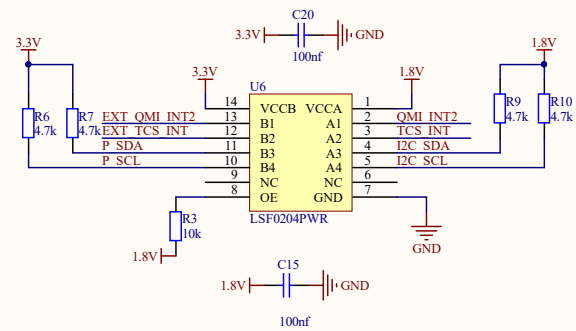
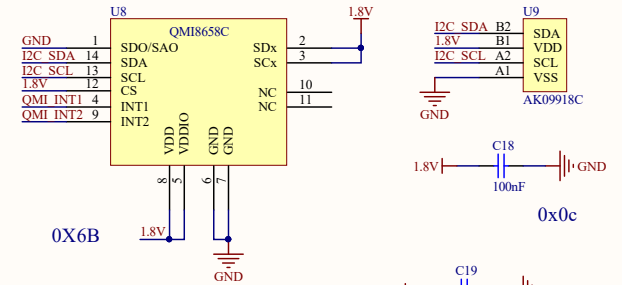


SGM58031

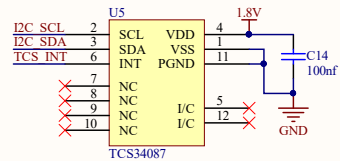
0x48



LSF0204PWR

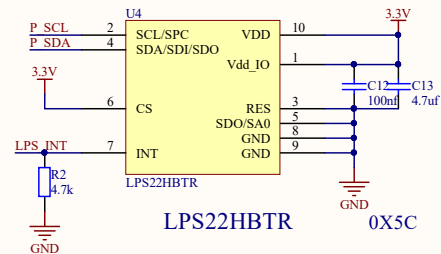


6-Axis + 3-Axis



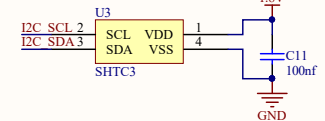
TCS34087

0X29



LPS22HBTR

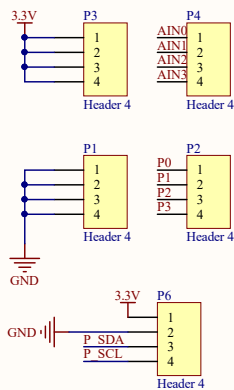
0X5C



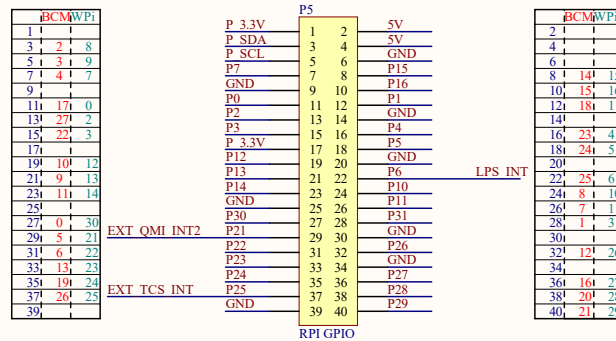
SHTC3

0x70

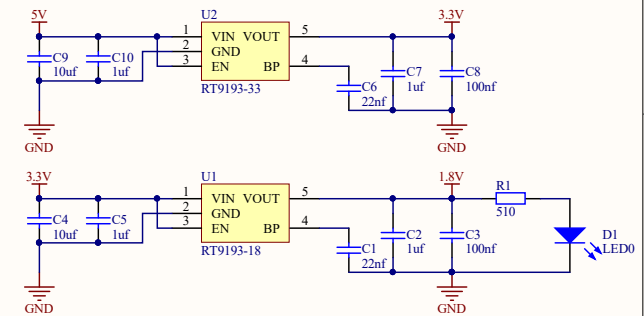
Waveshare
Sense HAT (C)



Sensor Interface



Raspberry Pi Interface

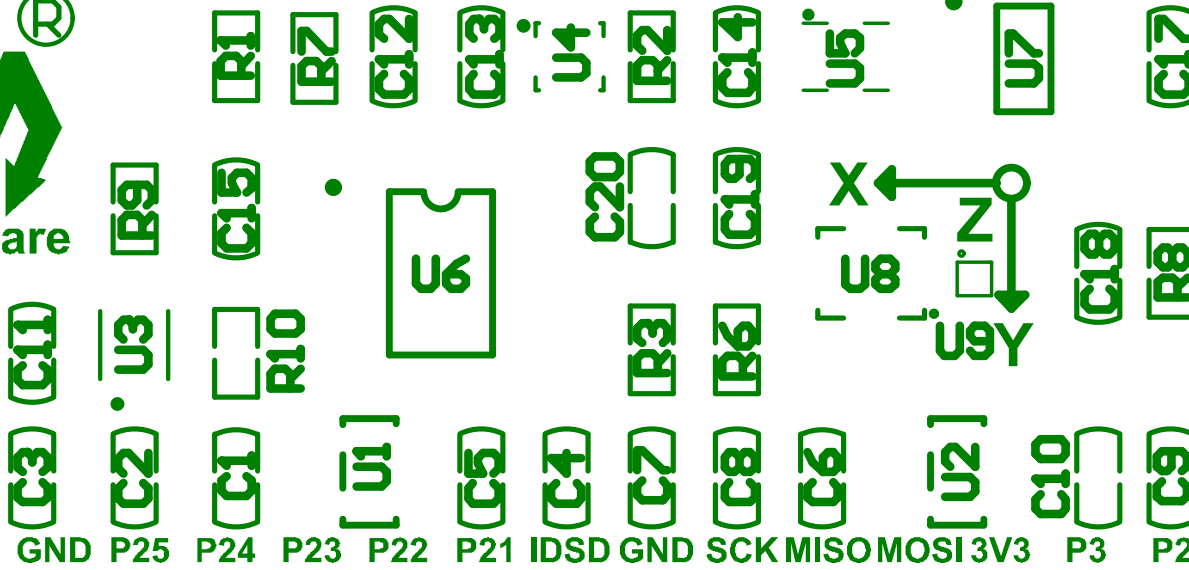


Power

Sense HAT (C)



PWR
D1



| | | | |
|-----|-----|-----|-----|
| P6 | | | |
| SCL | SDA | GND | 3V3 |

Sensor Interface

| | | |
|-----------|--|----|
| 3V3 | | P3 |
| GND | | P1 |
| AIN0~AIN3 | | P4 |
| P0~P3 | | P2 |

GND P25 P24 P23 P22 P21 IDSD GND SCK MISOMOSI 3V3 P3 P2 P0 GND P7 SCL SDA 3V3

P5

P29 P28 P27 GND P26 GND IDSC CE1 CE0 P6 GND P5 P4 GND P1 RX TX GND 5V 5V