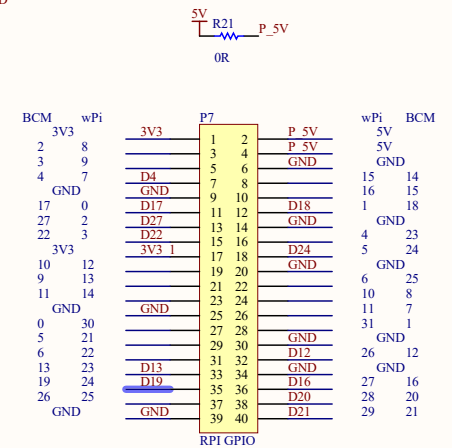
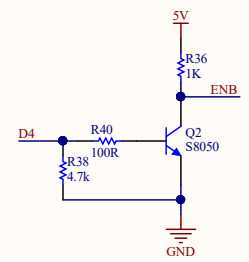
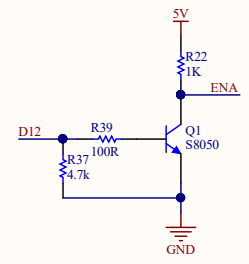
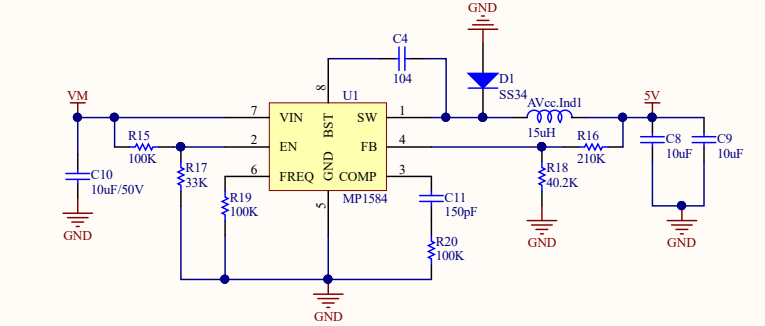
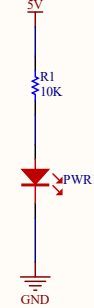
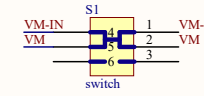
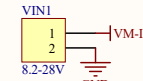
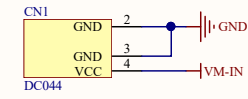
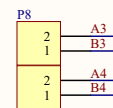
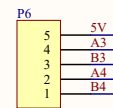
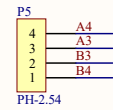
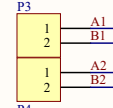
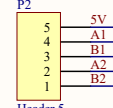
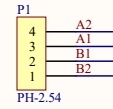
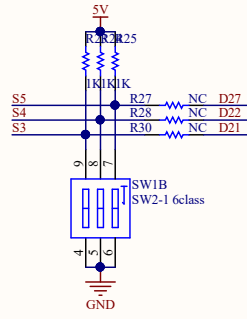
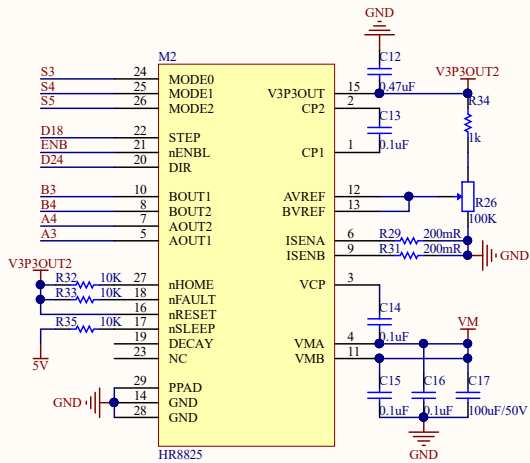
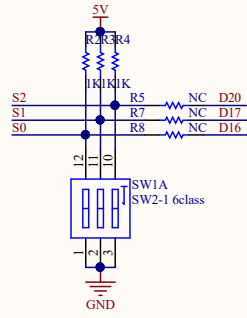
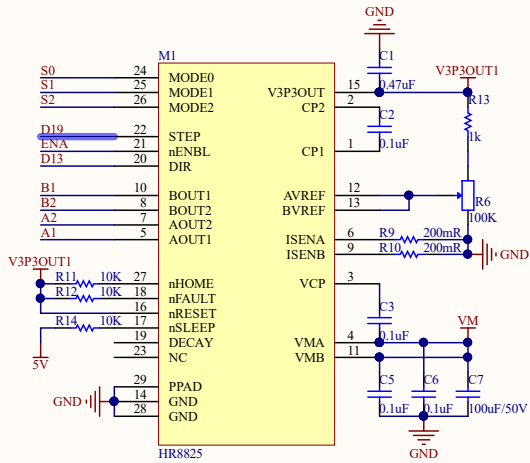


Stepper Motor HAT (B)





CN1

P1

P5

8.2 ~ 28V

ON

1

S1

OFF

A2 A1 B1 B2

A4 A3 B3 B4

PWR

P2

5V

A1

B1

A2

B2

P3

P4

VIN

GND

P6

5V

A3

B3

A4

B4

R2 R3 R4 R23 R24 R25

0 ON

1

SW1

S0 S1 S2 S3 S4 S5

R11 R12 C1 R14 M1

R6

C17

M1

R10 R9 R31 R29

C2 R33 R35 C12

M2

R26

C13 C14 R32 R34 M2

AVcc.Ind1

C7

JLCLQLCLCL

P3

P4

VIN1

b8

b8

A1 B1 A2 B2 VIN GND A3 B3 A4 B4

P7





Stepper Motor HAT (B)

[R21]

[R38] [R40] [Q2] [R36] [R22] [Q1] [R39] [R37] [R13]

[R27] [R28] [R30] [R5] [R7] [R8]
D27 D22 D21 D20 D17 D16