

1

2

3

4

A

A

B

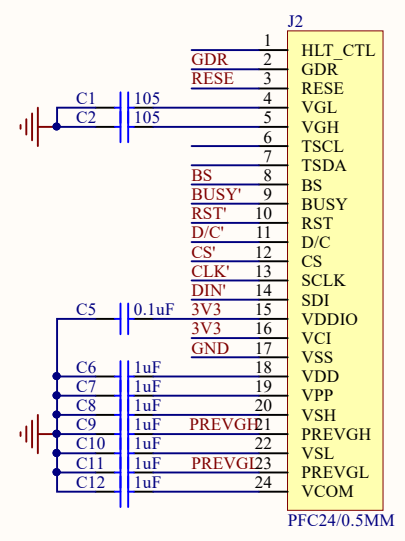
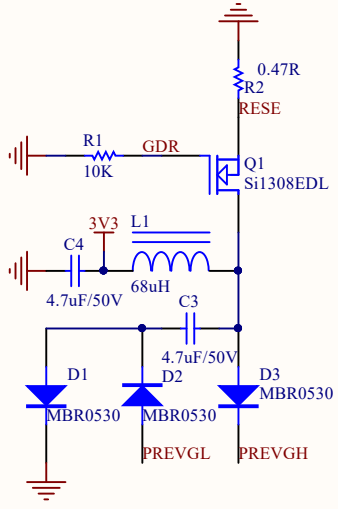
B

C

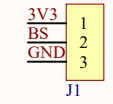
C

D

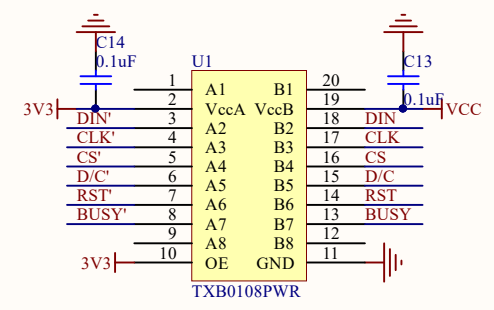
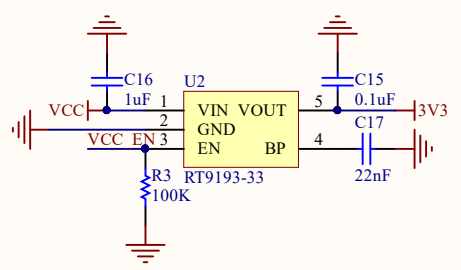
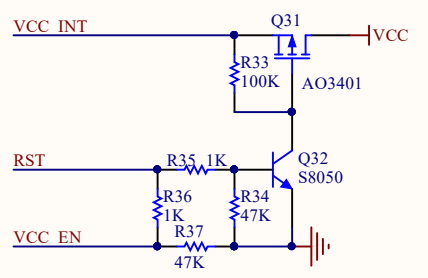
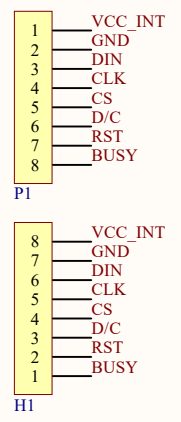
D



	VCC	GND
BS	3-line SPI	4-line SPI



### 5.65inch e-Paper Module



1

2

3

4