

1

2

3

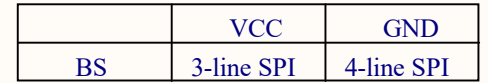
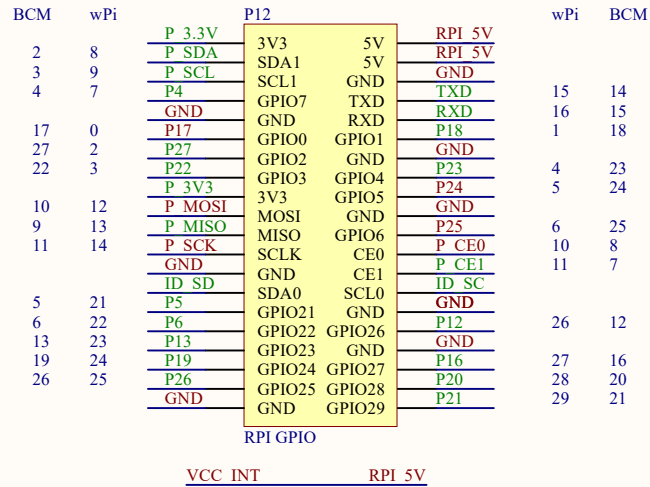
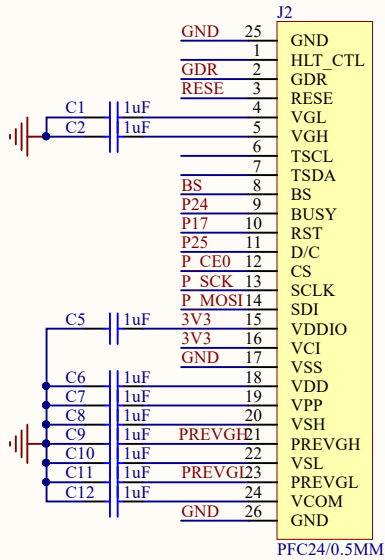
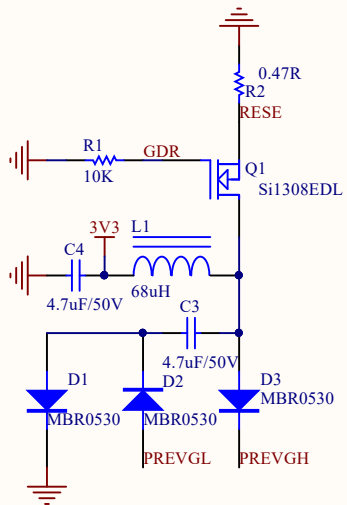
4

A

A

B

B



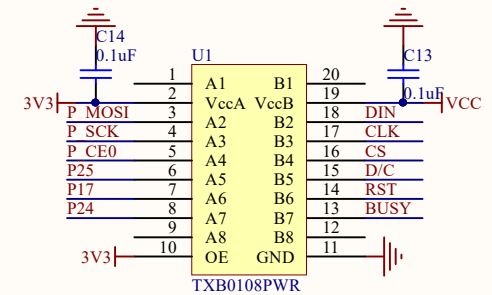
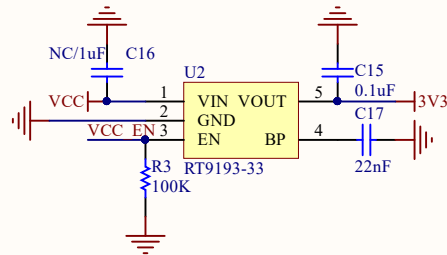
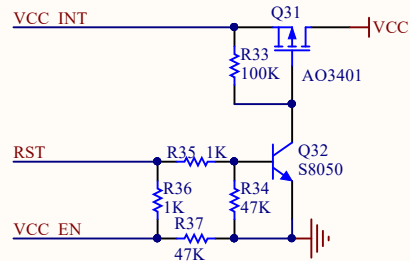
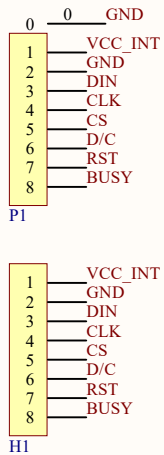
# 4.01inch e-Paper Module

C

C

D

D



1

2

3

4

Unit:mm

98.500

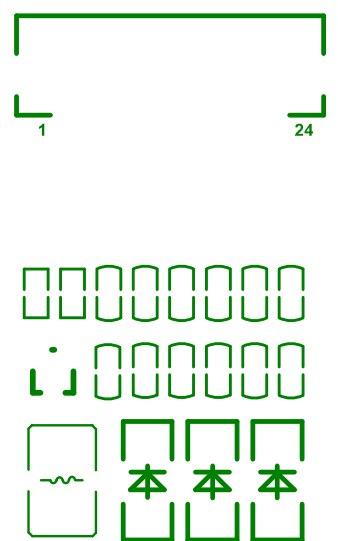
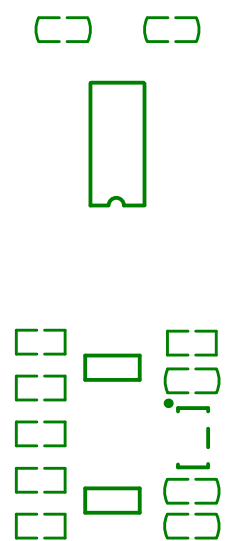
4.175

3.975

70.000

2.150

BUSY  
RST  
DC  
CS  
CLK  
DIN  
GND  
VCC



BS	Interface
1	3-line SPI
0	4-line SPI



BUSY  
RST  
DC  
CS  
CLK  
DIN  
GND  
VCC

# 4.01inch e-Paper HAT (F)

7-Color ACeP Display

640×400 Pixels

