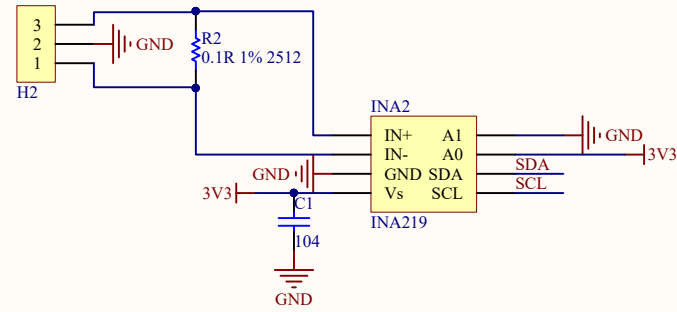
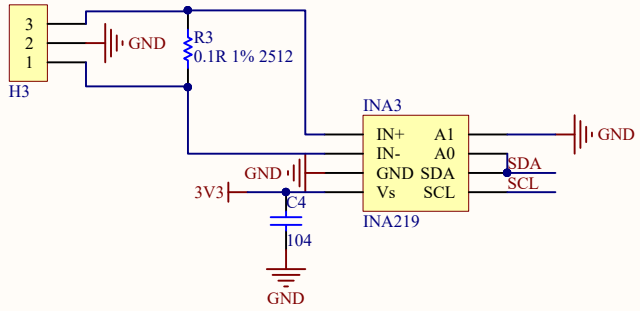


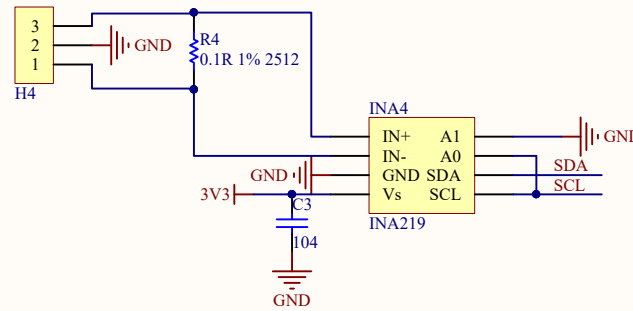
0x40



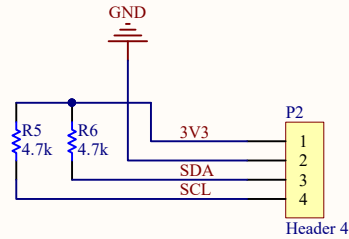
0x41



0x42



0x43



Current/Power Monitor HAT

BCM	wPi	P1	P1	wPi	BCM
2	8	3V3	1	15	14
3	9	SDA	2	16	15
4	7	SCL	3	1	18
			4		
			5		
			6		
			7		
			8		
17	0	GND	9		
27	2		10		
22	3		11		
			12		
			13		
			14		
			15		
10	12	3V3	16	4	23
9	13		17	5	24
11	14		18		
			19		
			20		
			21		
			22		
			23		
			24		
			25		
			26		
5	21		27		
6	22		28		
13	23		29		
19	24		30		
26	25		31		
			32		
			33		
			34		
			35		
			36		
			37		
			38		
			39		
			40		

RPI GPIO