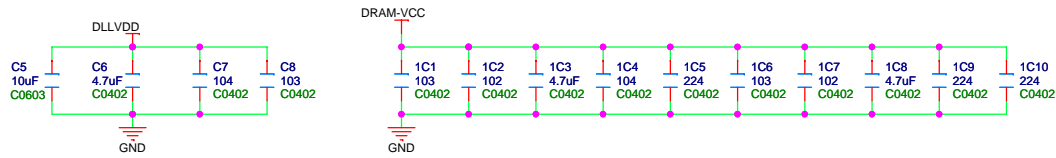
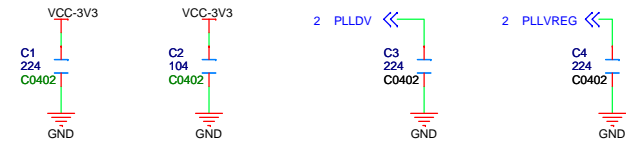


Title		
A20-Cubietruck-V1.0-130606		
Size	Document Number	Rev
A3		V1.0
Date:	Sheet 2 of 11	http://cubieboard.org

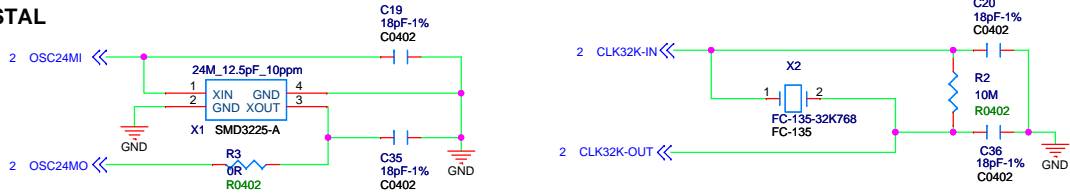
DRAM-DLL



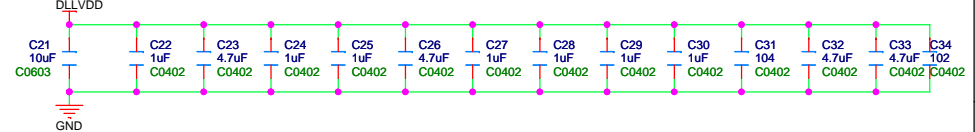
PLL-NAND



CRYSTAL

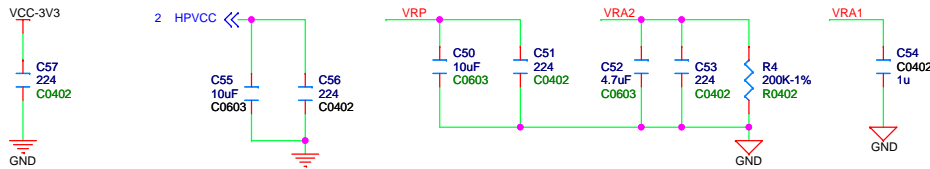


CORE

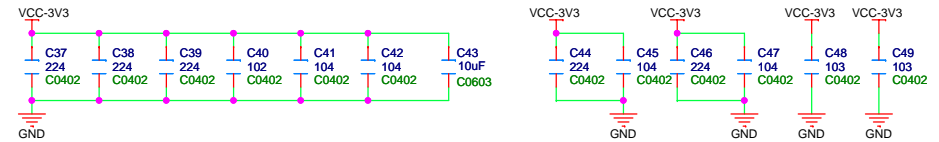


AUDIO-LRADC

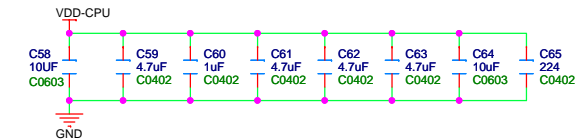
- 2 VRP << VRP
- 2 VRA2 << VRA2
- 2 VRA1 << VRA1



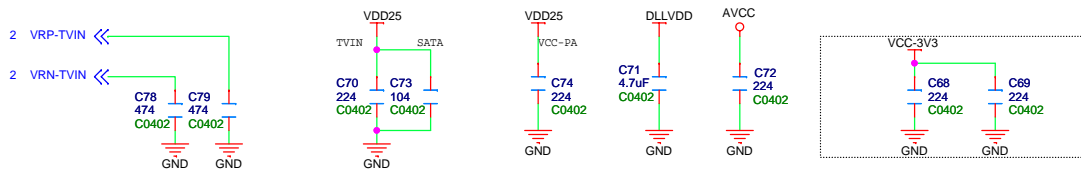
PIO-INTFACE



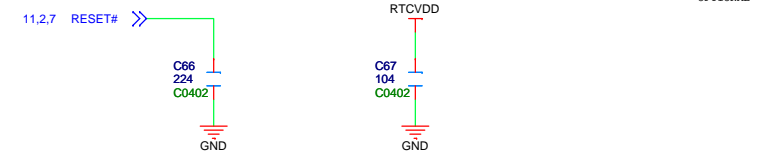
CPU



USB-TV-CSI



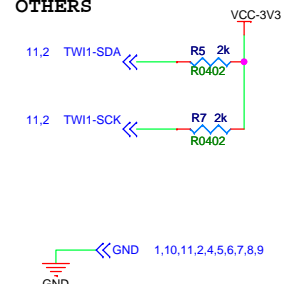
RESET-RTC



HDMI



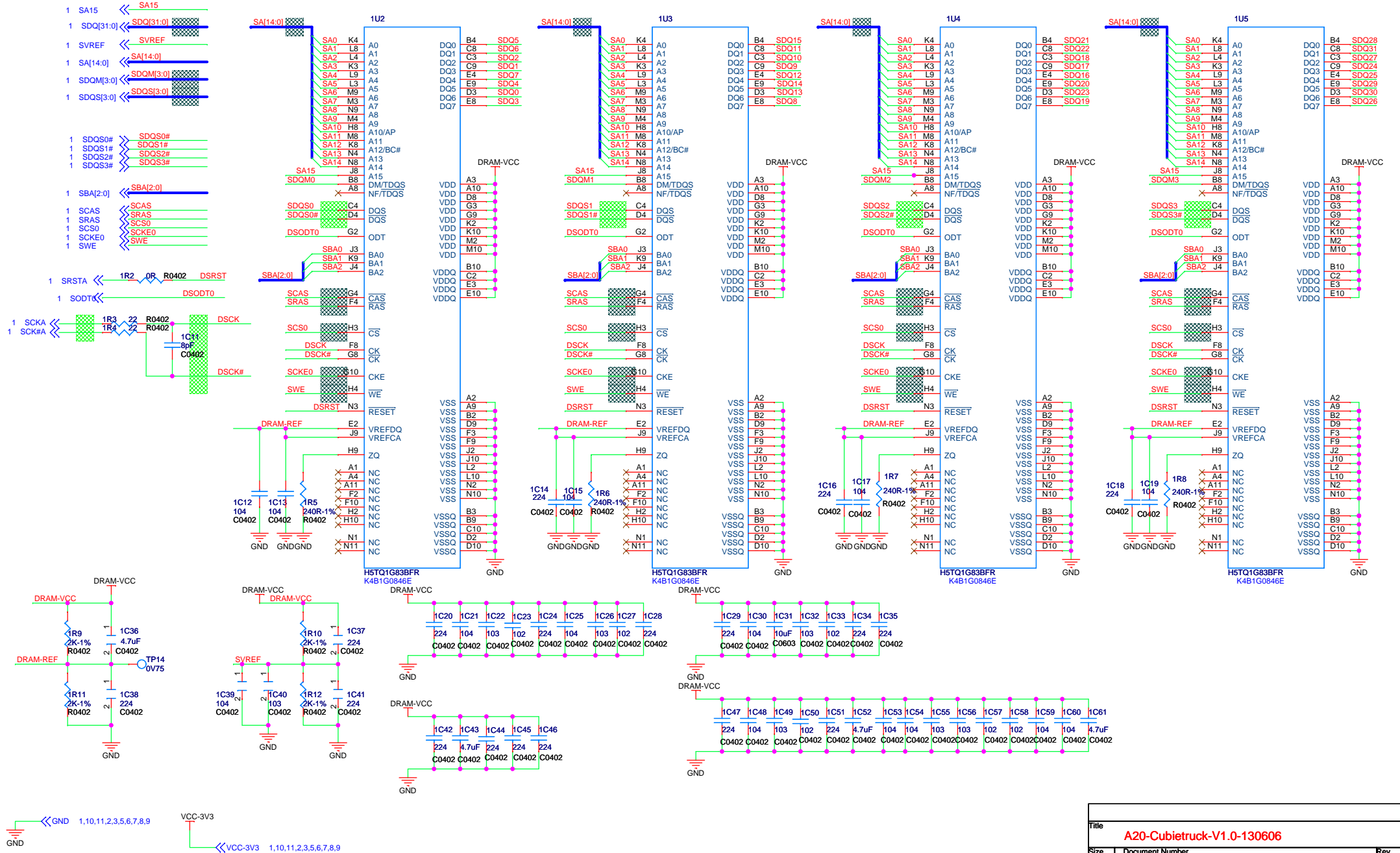
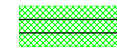
OTHERS



Title		
A20-Cubietruck-V1.0-130606		
Size	Document Number	Rev
A3	http://cubieboard.org	V1.0
Date:	Sheet	3 of 11

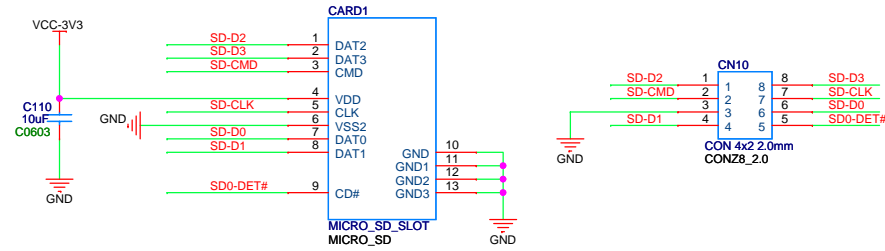
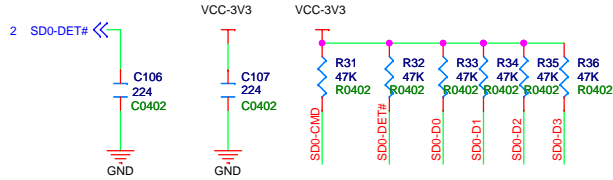
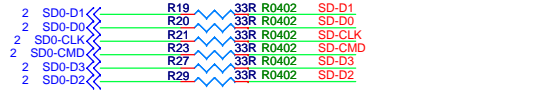
DDR3 8bit x 4pcs

Differential pairs Z0= 100 ohm
Equilong BUS Z0= 50 ohm

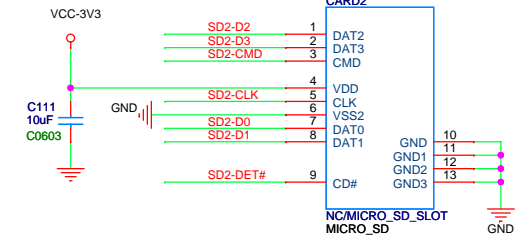
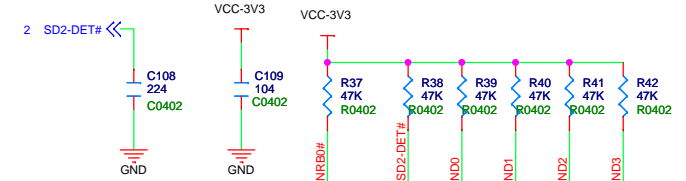
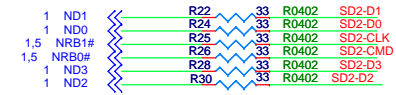


Title		
A20-Cubietruck-V1.0-130606		
Size	Document Number	Rev
A3	http://cubieboard.org	V1.0
Date:	Sheet	of
	4	11

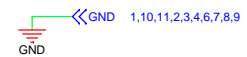
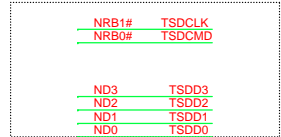
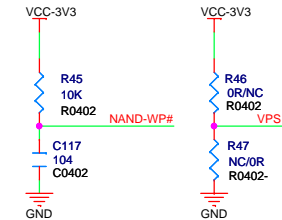
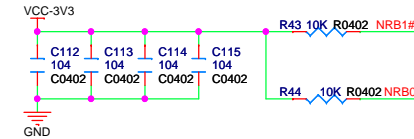
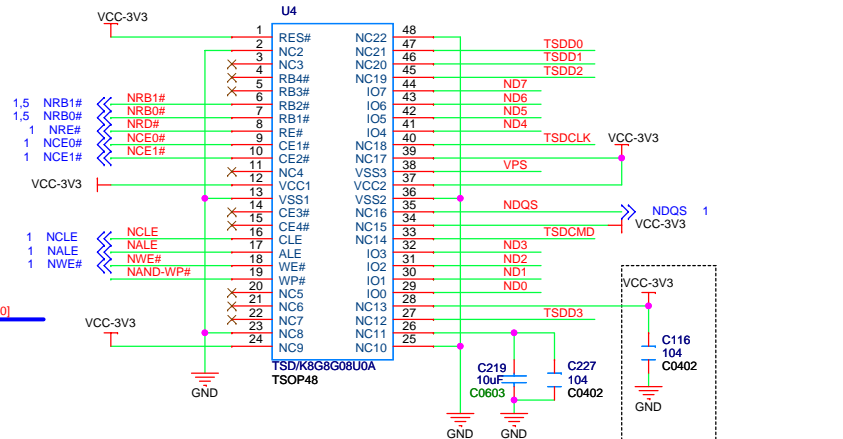
CARD0



CARD2 (option with NAND flash)

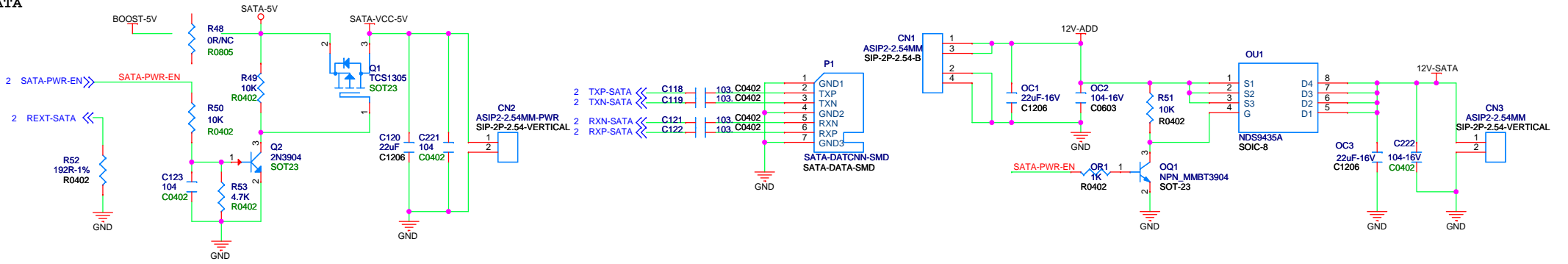


NAND & TSD



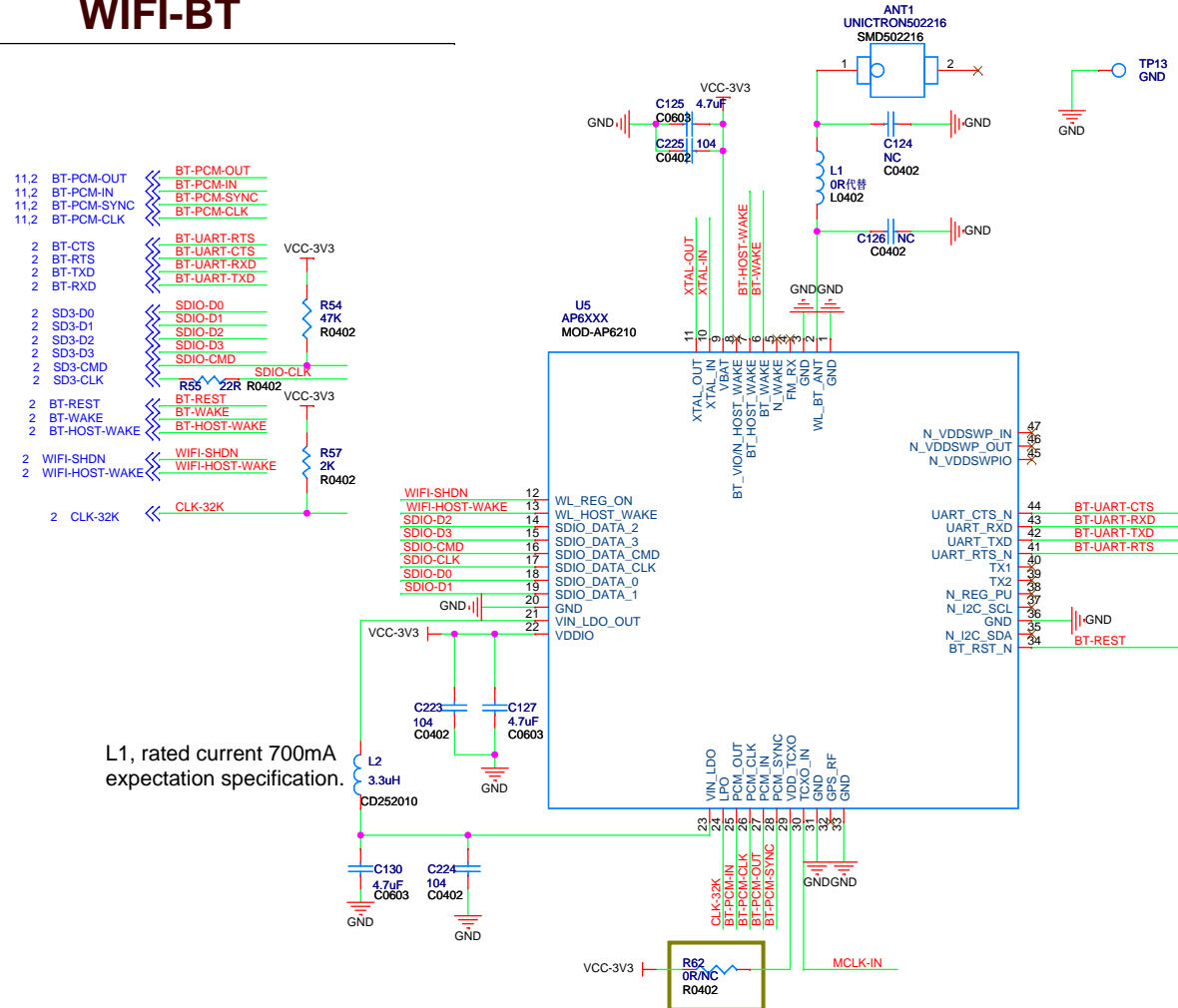
Title			A20-Cubietruck-V1.0-130606		
Size	Document Number	http://cubieboard.org			Rev
A3					V1.0
Date:		Sheet	5	of	11

SATA

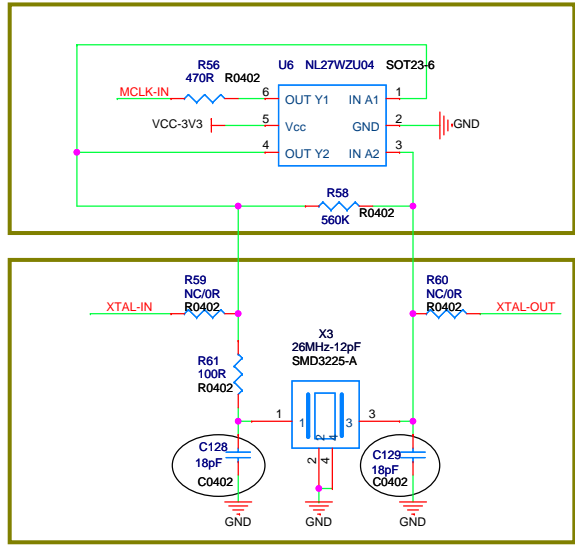


WIFI-BT

Wifi ANT



50 Ohm RF trace

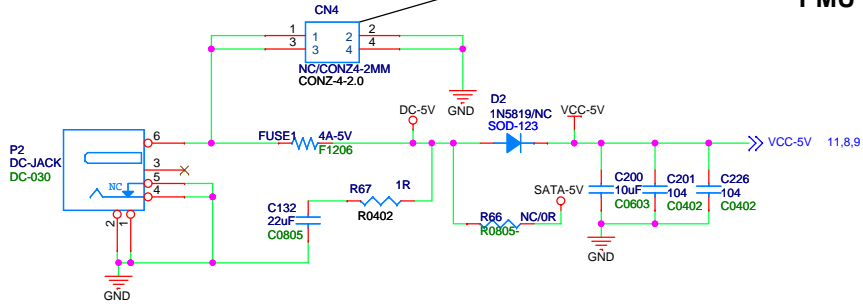


L1, rated current 700mA expectation specification.

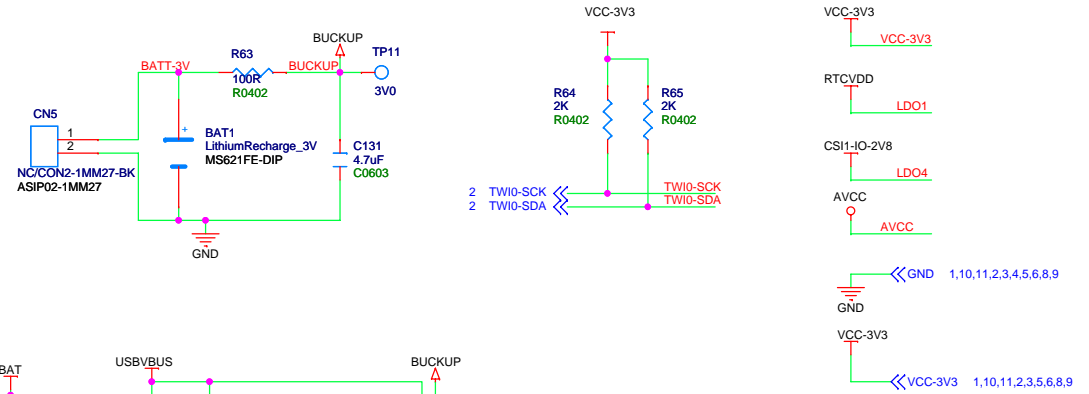
Title			A20-Cubietruck-V1.0-130606
Size	Document Number	http://cubieboard.org	
A3		Rev	V1.0
Date:		Sheet	6 of 11

DC-IN & DC-DC

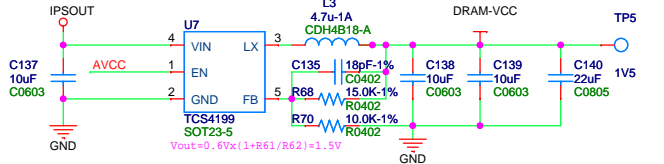
Solder option with DC-JACK, coreboard can be powered from extended board through it in other embedded system app.



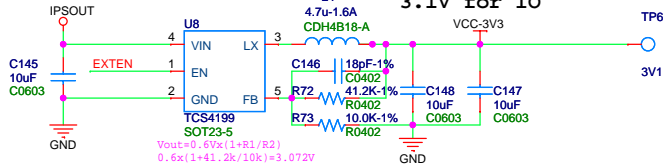
PMU



1.5V FOR DDR3

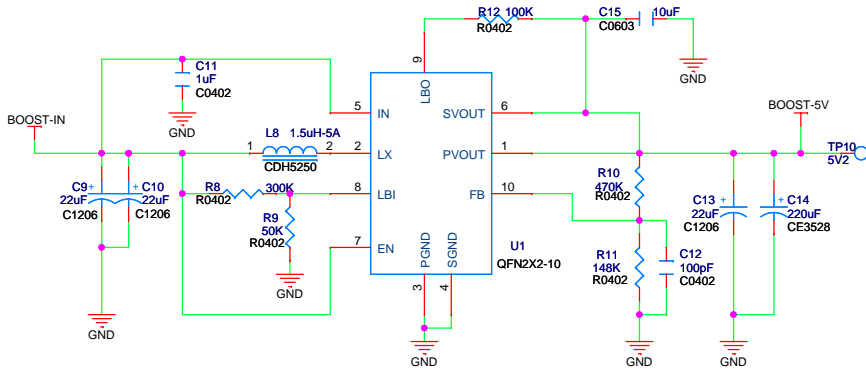
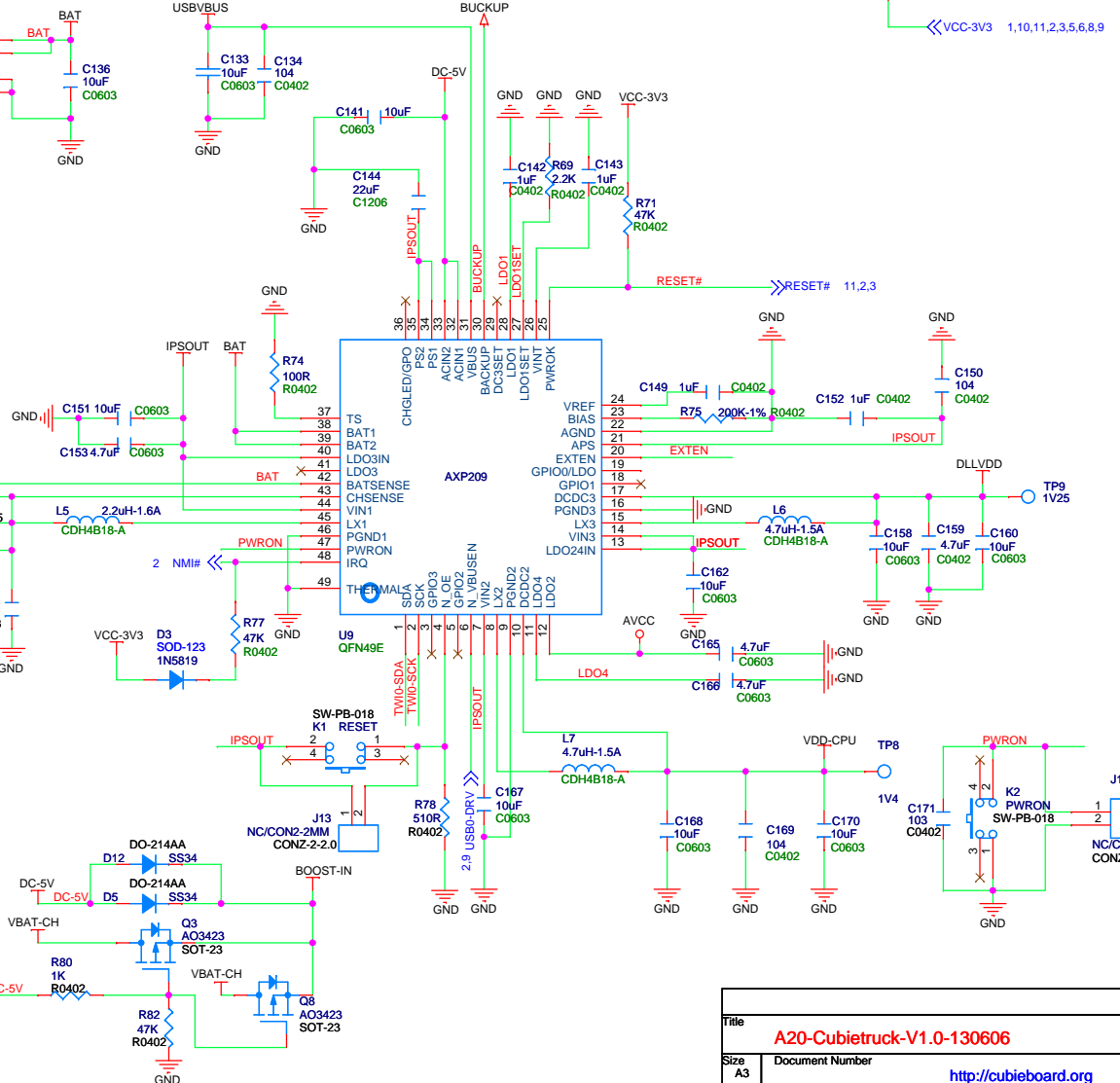
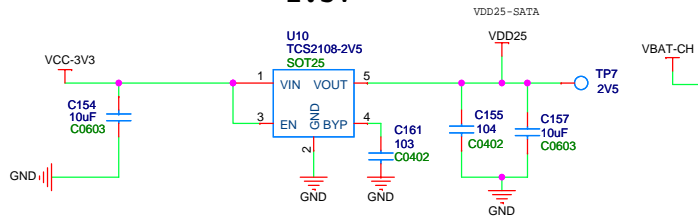


3.1V for IO



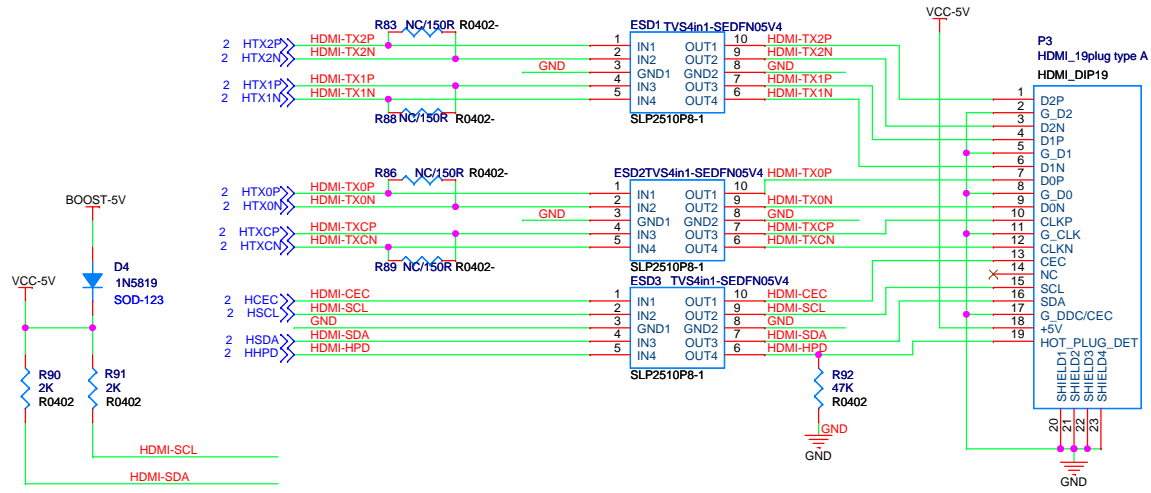
SATA-VCC

2.5V

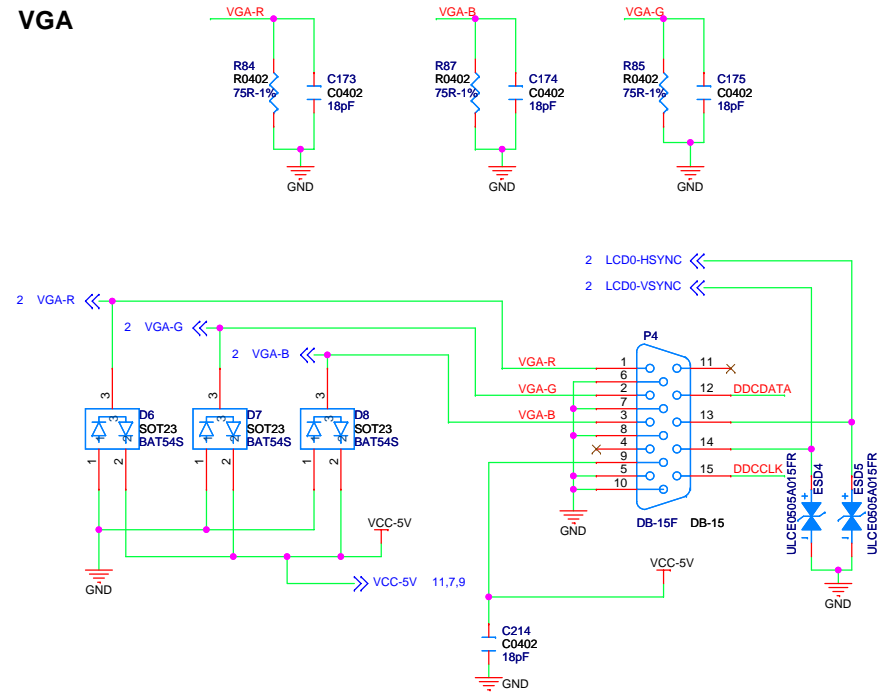


Title		
A20-Cubietruck-V1.0-130606		
Size	Document Number	Rev
A3		V1.0
Date:		Sheet 7 of 11

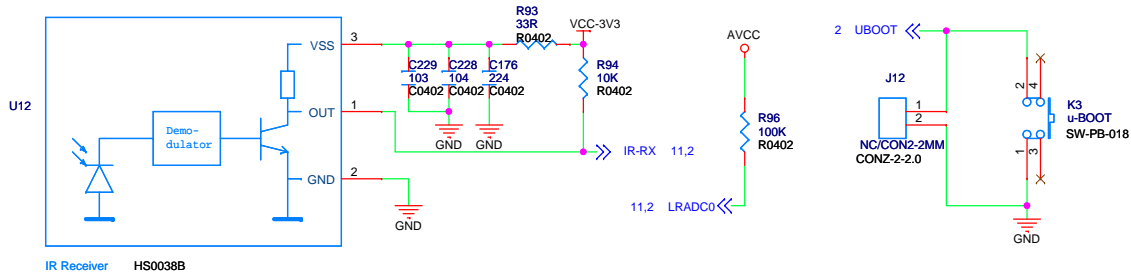
HDMI



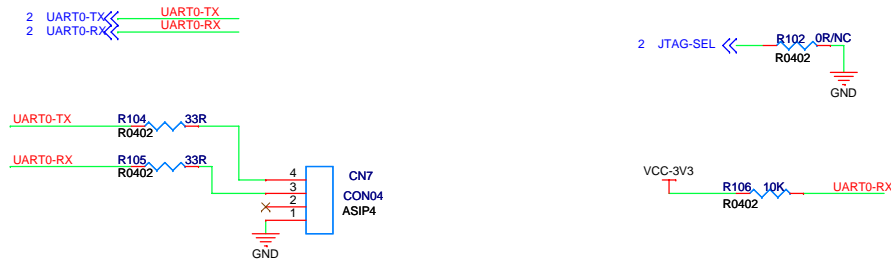
VGA



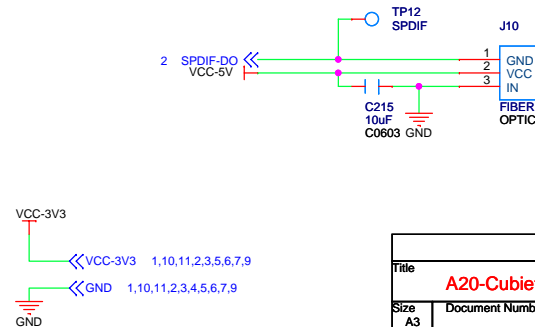
IR MODULE



DEBUG

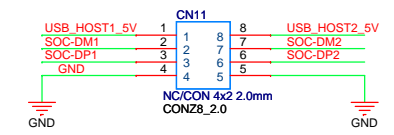
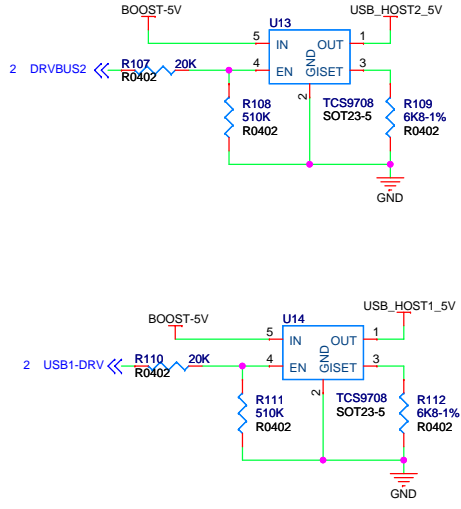
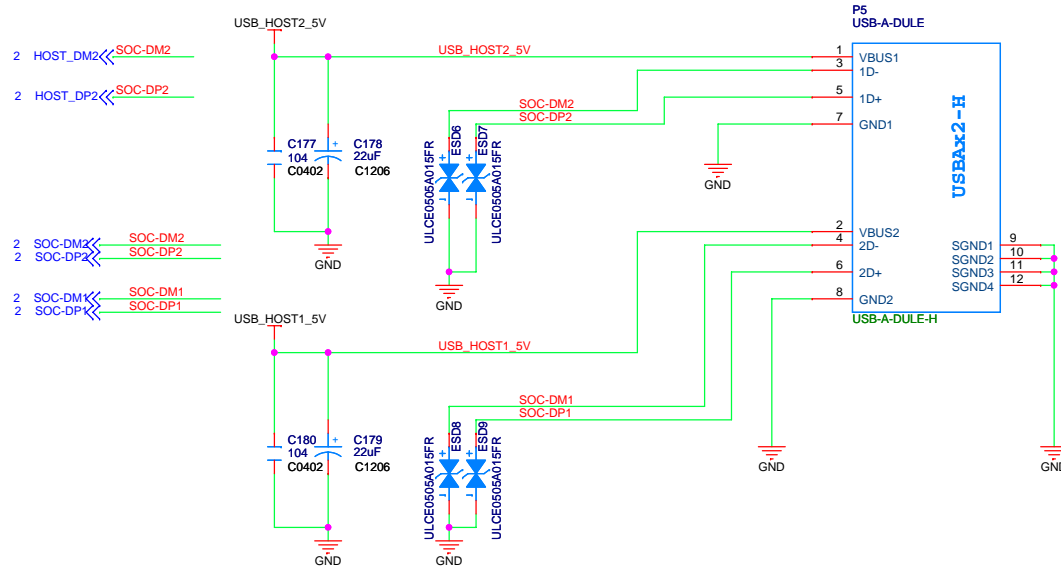


SPDIF

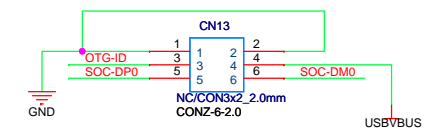
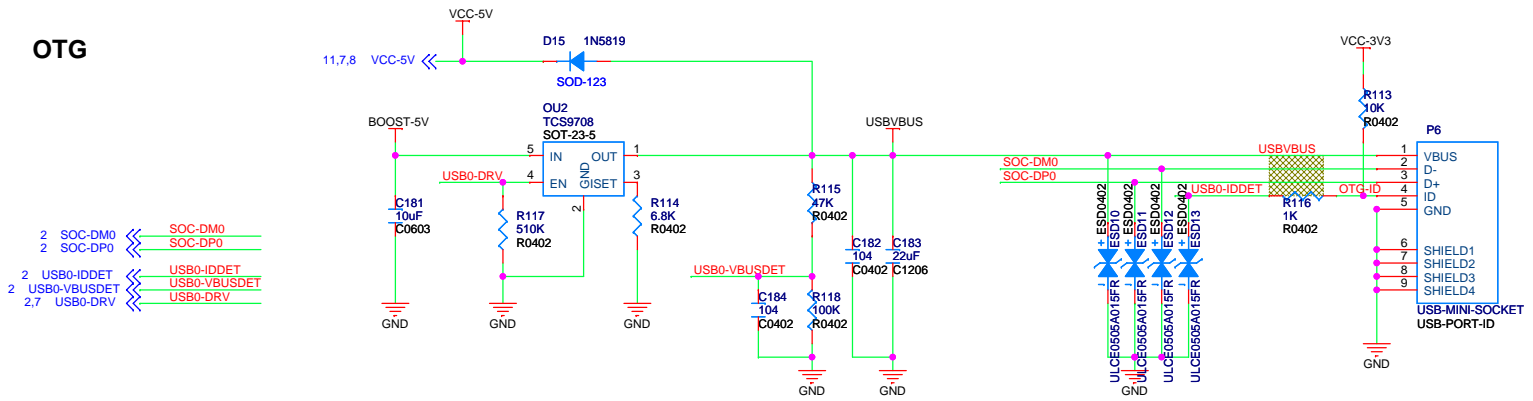


Title			A20-Cubietruck-V1.0-130606
Size	Document Number	http://cubieboard.org	
A3		Rev	V1.0
Date:		Sheet	8 of 11

USB HOST x 2

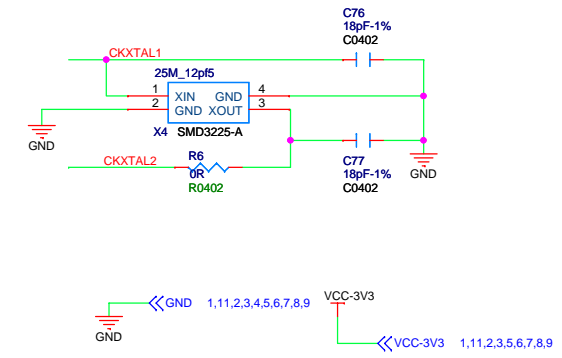
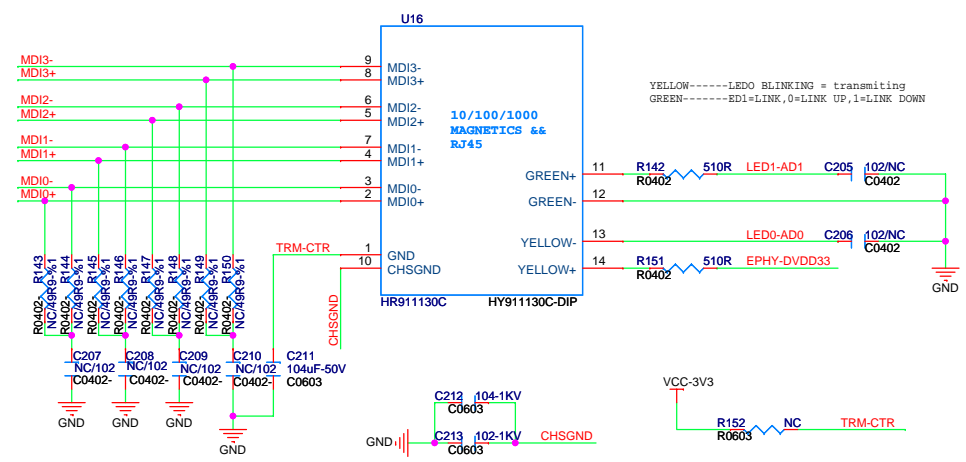
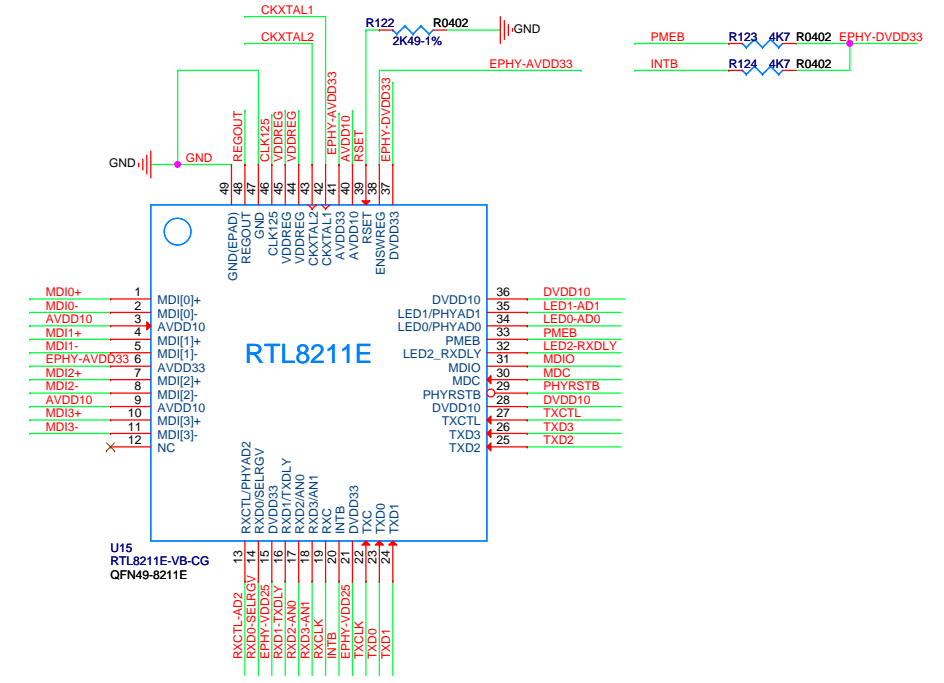
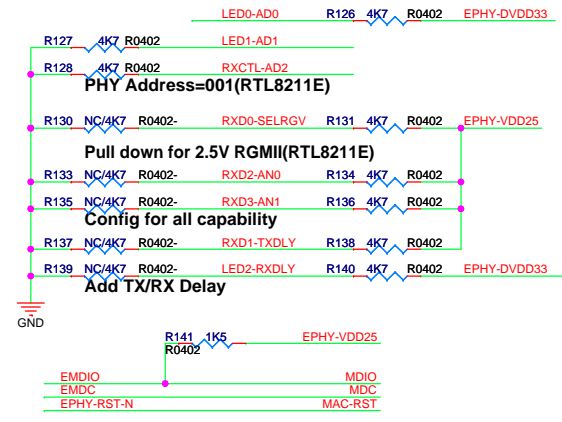
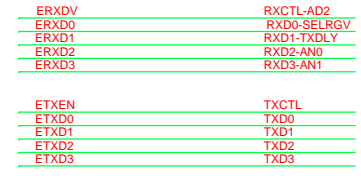
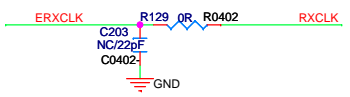
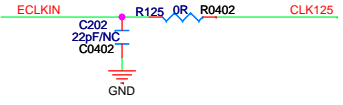
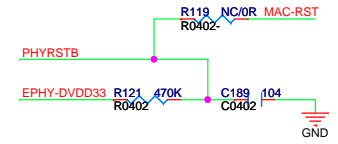
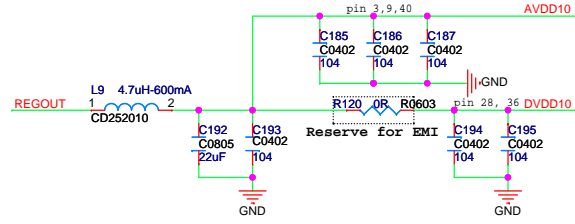
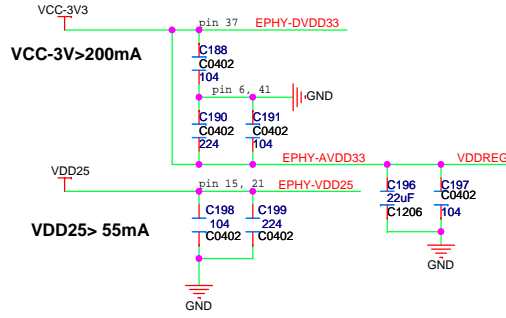
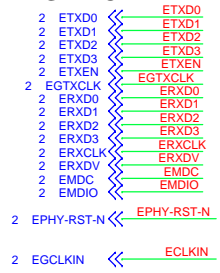


OTG



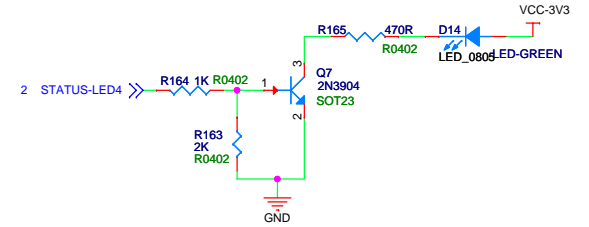
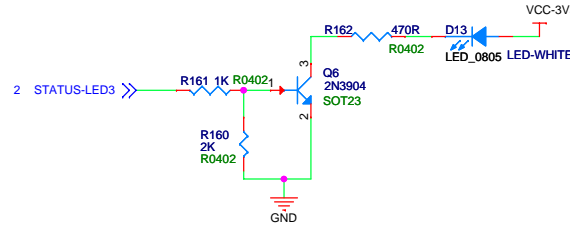
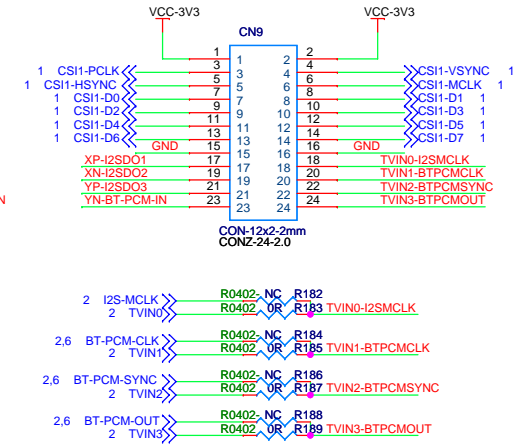
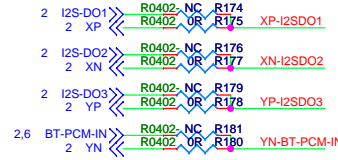
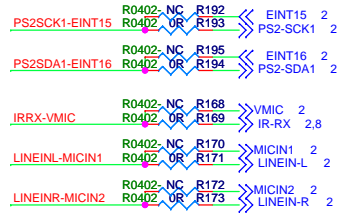
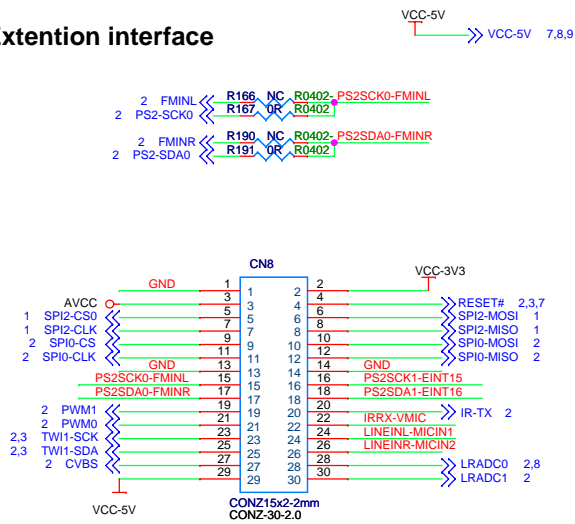
Title			A20-Cubietruck-V1.0-130606		
Size	Document Number		http://cubieboard.org		Rev
A3					V1.0
Date:			Sheet 9 of 11		

GMAC

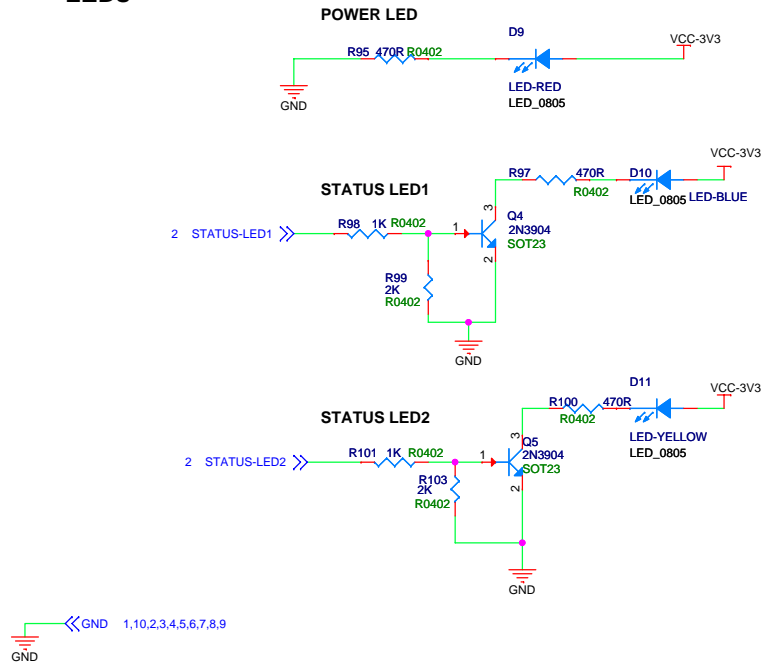


Title			
A20-Cubietruck-V1.0-130606			
Size	Document Number	http://cubieboard.org	Rev
A3			V1.0
Date:	Sheet 10 of 11		

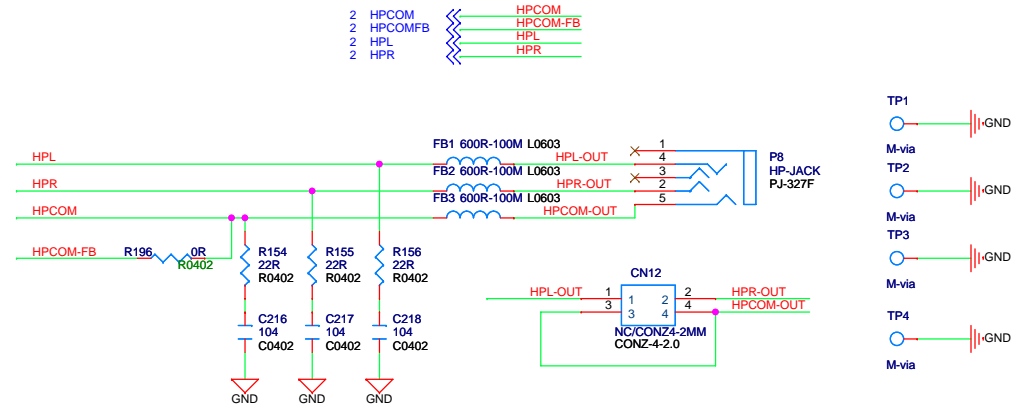
Extention interface



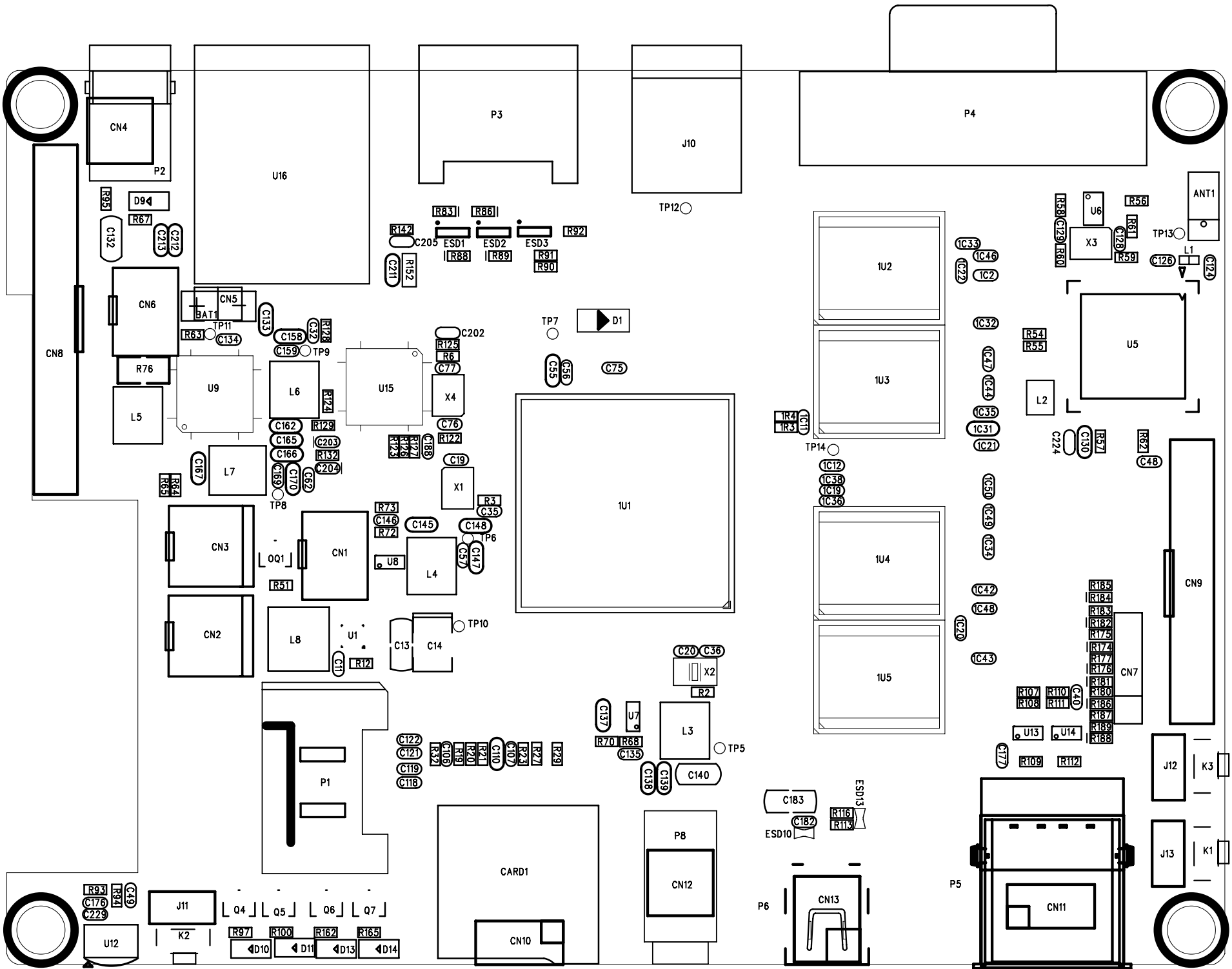
LEDs

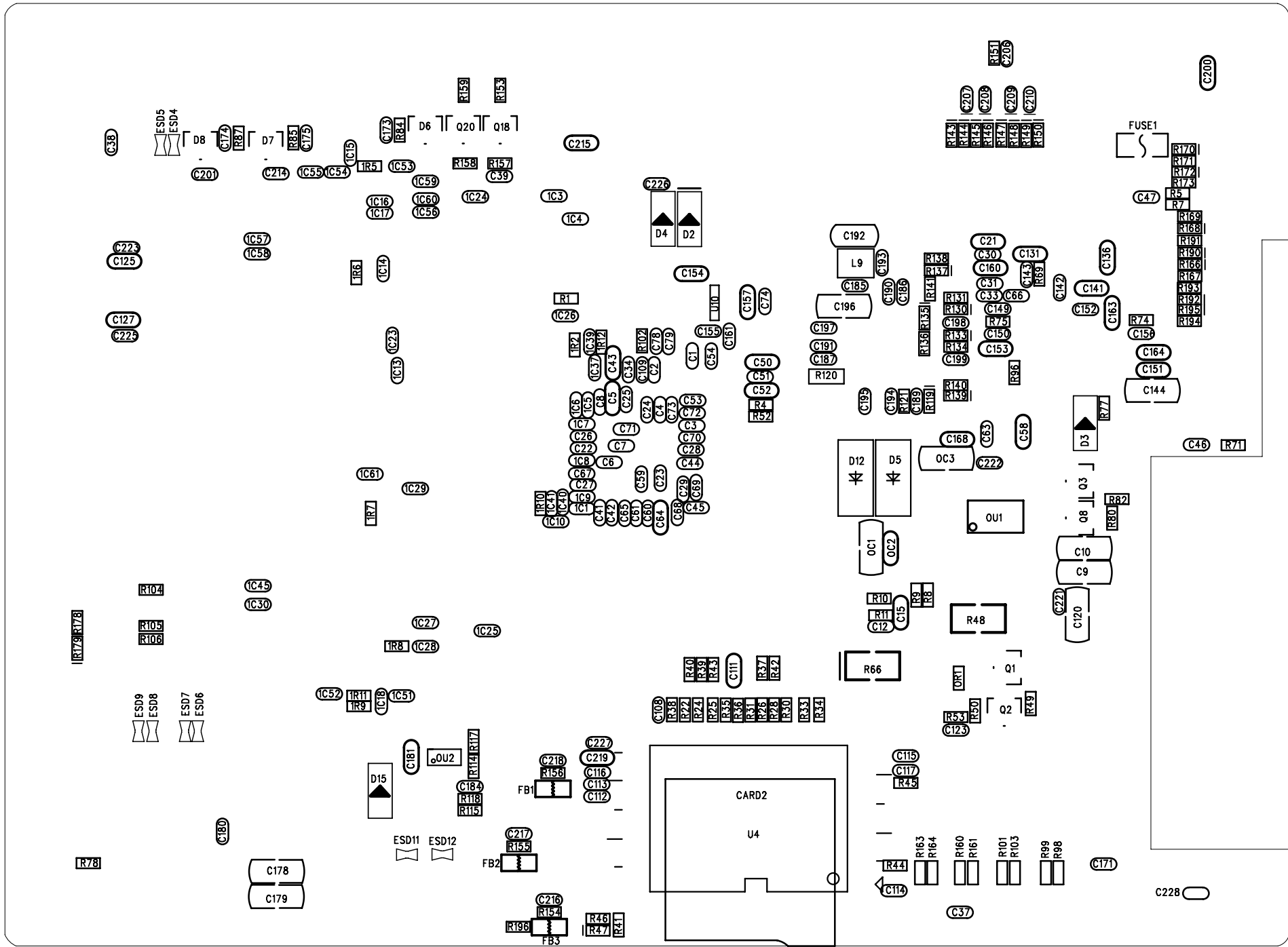


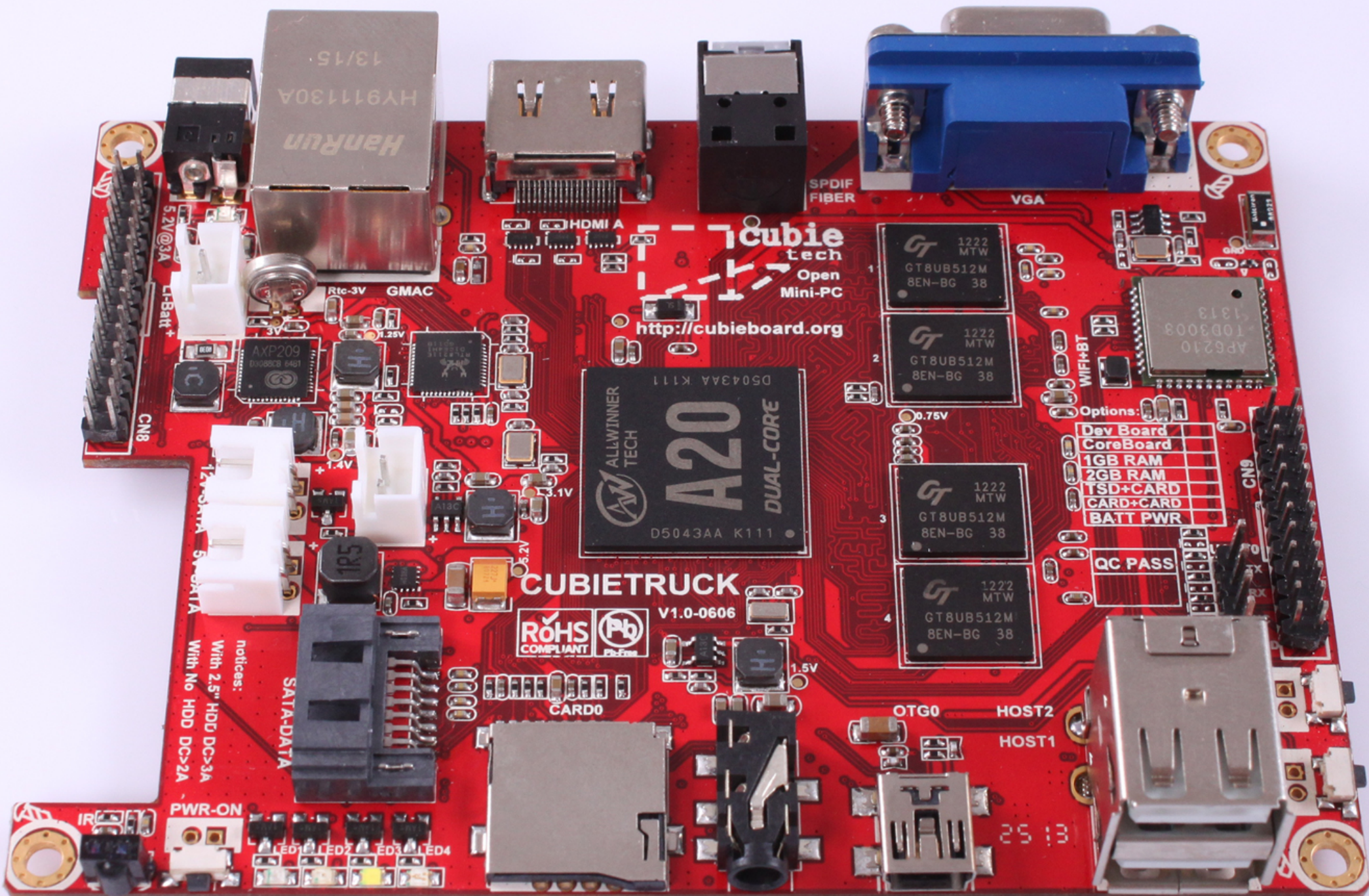
Head Phone & Speaker



Title		
A20-Cubietruck-V1.0-130606		
Size	Document Number	Rev
A3	http://cubieboard.org	V1.0
Date:	Sheet	11 of 11







cubie
tech
Open
Mini-PC
<http://cubieboard.org>

ALLWINNER
TECH
A20
DUAL-CORE
D5043AA K111

CUBIETRUCK

V1.0-0606

ROHS
COMPLIANT

Pb-free

Options:
Dev Board
Core Board
1GB RAM
2GB RAM
TSD+CARD
CARD+CARD
BATT PWR

QC PASS

notices:
With 2.5" HDD DC>3A
With No HDD DC>2A

SATA-DATA

CARD0

OTG0

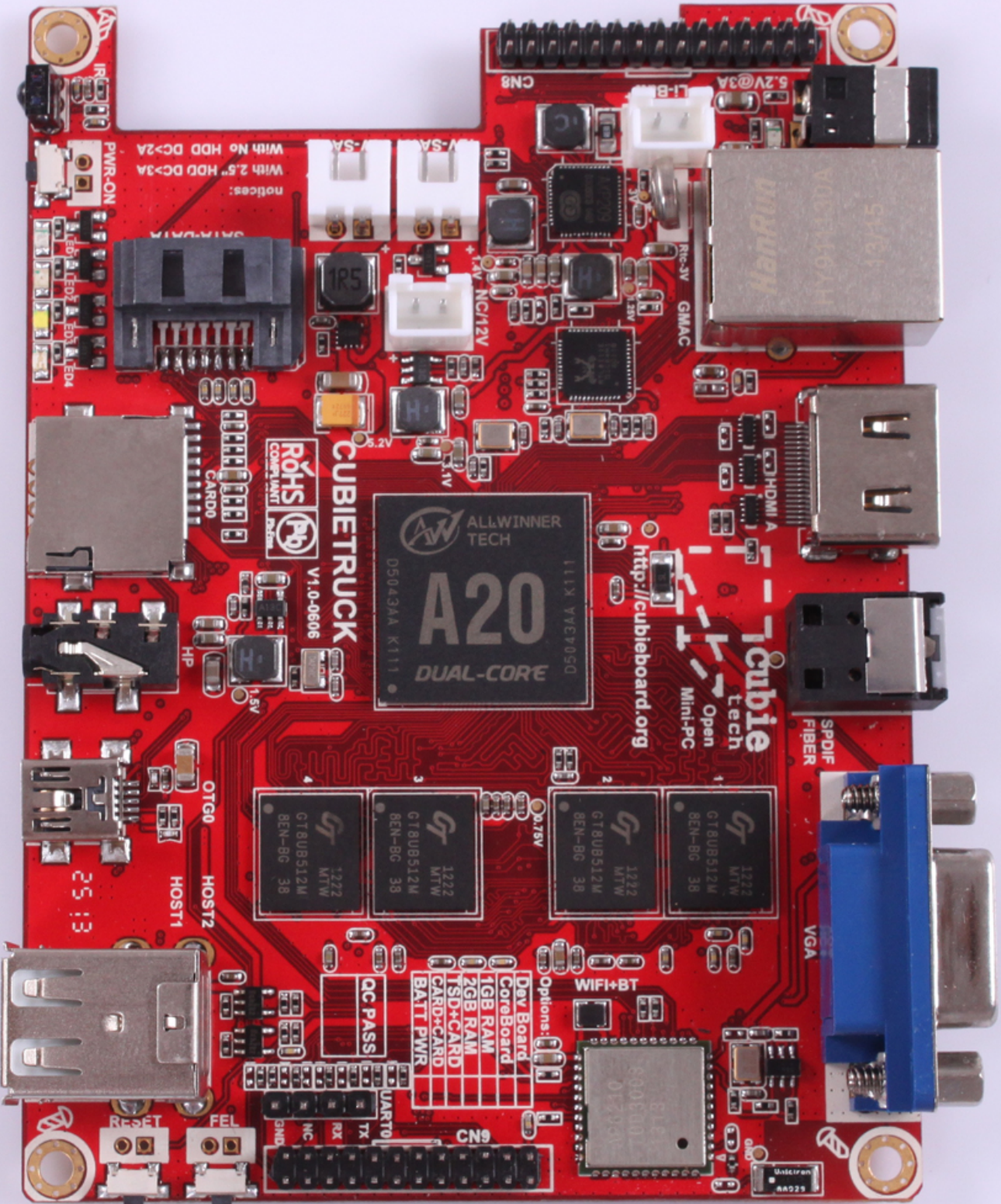
HOST2

HOST1

PWR-ON

LED1 LED2 LED3 LED4

25 13



<http://cubieboard.org>

ALLWINNER
TECH
A20
DUAL-CORE
D5043AA K111

CUBIETRUCK

Rohs
COMPLIANT

notices:
With 2.5" HDD DC>3A
With No HDD DC>2A

Cubie
tech
Open
Mini-PC

1 2 3 4
G1808S12M MTW 1222 BEN-8G 38
G1808S12M MTW 1222 BEN-8G 38
G1808S12M MTW 1222 BEN-8G 38
G1808S12M MTW 1222 BEN-8G 38

Options:
Dev Board
Core Board
1GB RAM
2GB RAM
TSD+CARD
CARD+CARD
BATT PWR

OC PASS

25:13

HOST1
HOST2

UART0
TX
RX
GND

VGA

SPDIF
FIBER

GMAC

Rtc-3V

6.2V@3A

L-B

CN8

1.2V

1.8V

3.3V

5.0V

5.0V

5.0V

5.0V

5.0V

5.0V

5.0V

5.0V

5.0V

5.0V

5.0V

5.0V

5.0V

5.0V

5.0V

5.0V

5.0V

5.0V

5.0V

5.0V

5.0V

5.0V

5.0V

PWR-ON

LED1

LED2

LED3

LED4

LED5

LED6

LED7

LED8

LED9

LED10

LED11

LED12

LED13

LED14

LED15

LED16

LED17

LED18

LED19

LED20

LED21

LED22

LED23

LED24

LED25

LED26

LED27

LED28

IR

IR

IR

IR

IR

IR

IR

IR

IR

IR

IR

IR

IR

IR

IR

IR

IR

IR

IR

IR

IR

IR

IR

IR

IR

IR

IR

IR

IR

IR

IR

IR

IR

IR

IR

IR

IR

IR

IR

IR

IR

IR

IR

IR

IR

IR

IR

IR

IR

IR

IR

IR

IR

IR

IR

IR

IR

IR