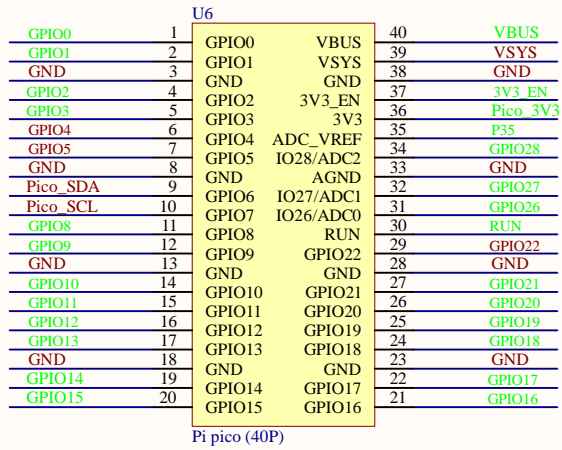
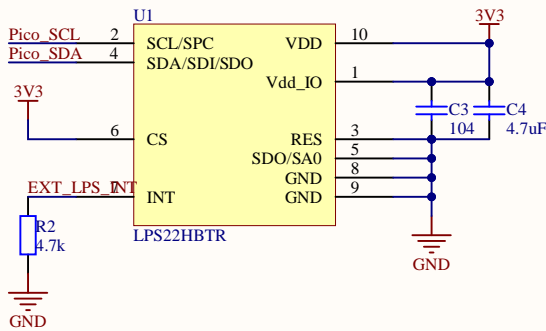


1

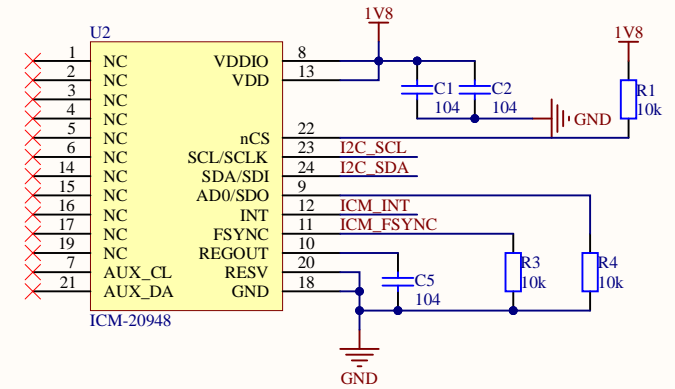


2



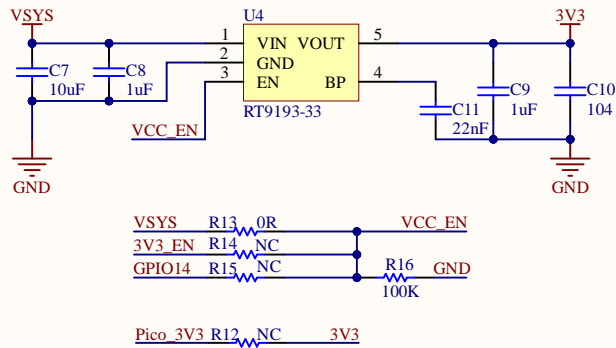
LPS22HBTR

3



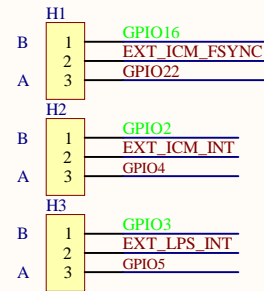
ICM-20948

C

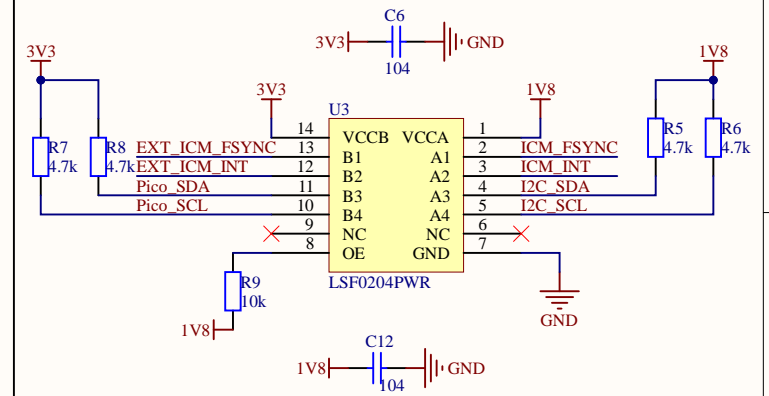


Power

2

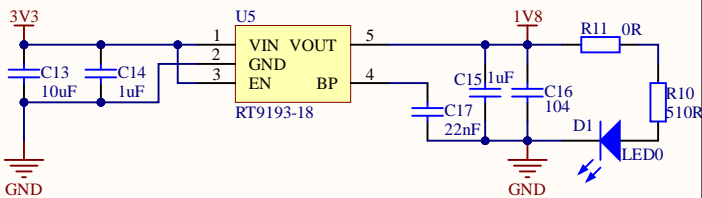


3



LSF0204PWR

D



1

2

3

4



A	B	GPIO	A	B
H1		FSYNC	22	16
H2		ICM.INT	4	2
H3		LPS.INT	5	3

