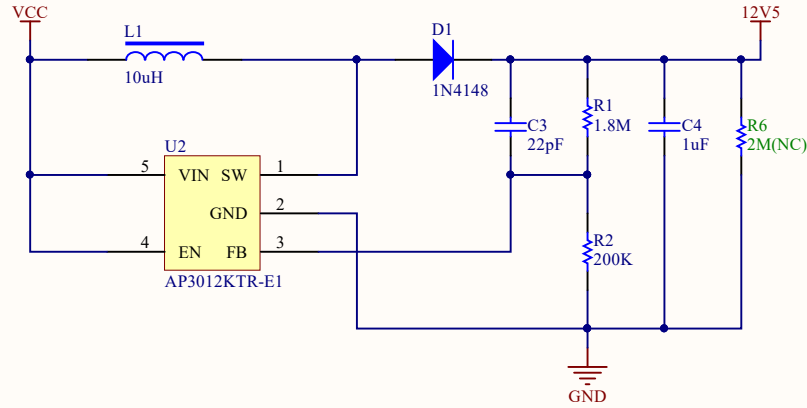
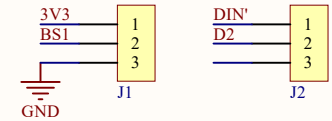


Power

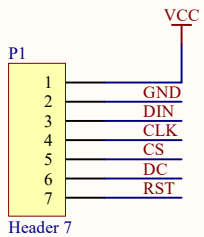
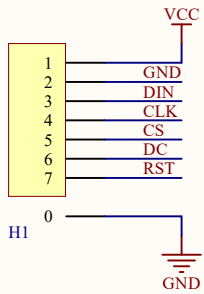


BOOST

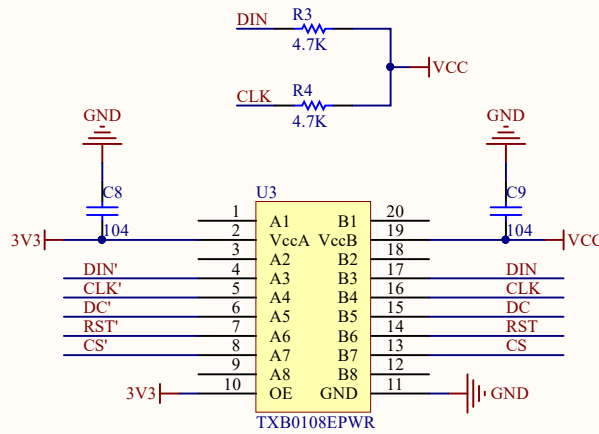


	I2C	SPI
BS1	3V3	GND
D2	DIN'	X

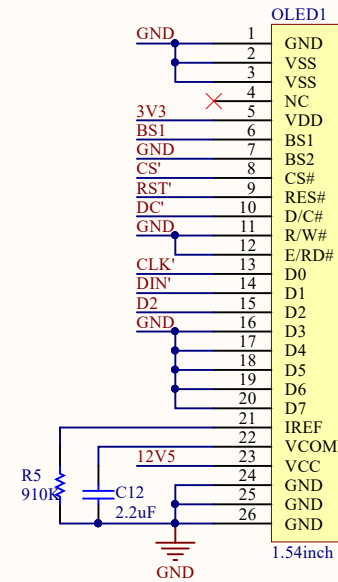
Switchover



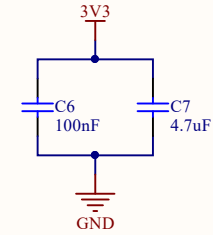
Interface



Level conversion



1.54inch OLED



1.54OLED
1.54OLED