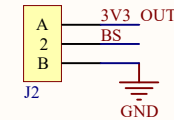
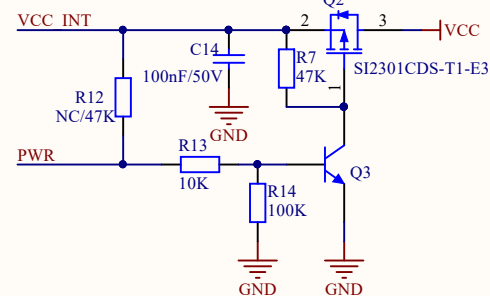
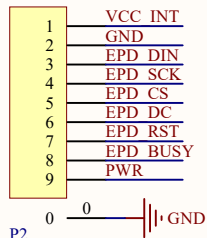


VCC INT RPI 5V

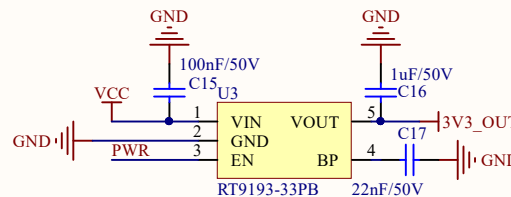
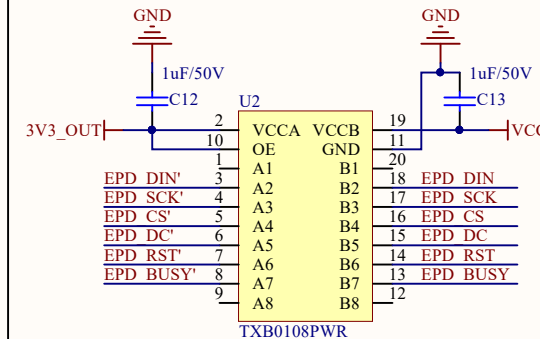
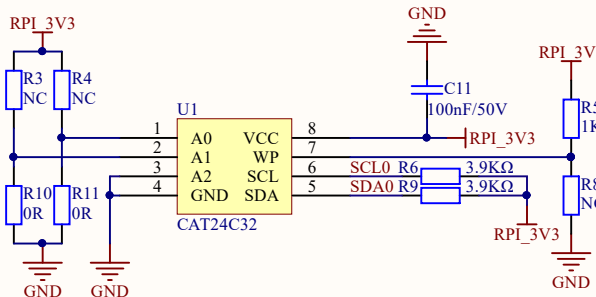
	VCC	GND
BS	3-line SPI	4-line SPI



2.15inch e-Paper HAT+



Introduction to R4 resistors :
 * NC : Use a separate pin control control, in order to save electricity
 * 47K : Always powered on, saving I/O interfaces

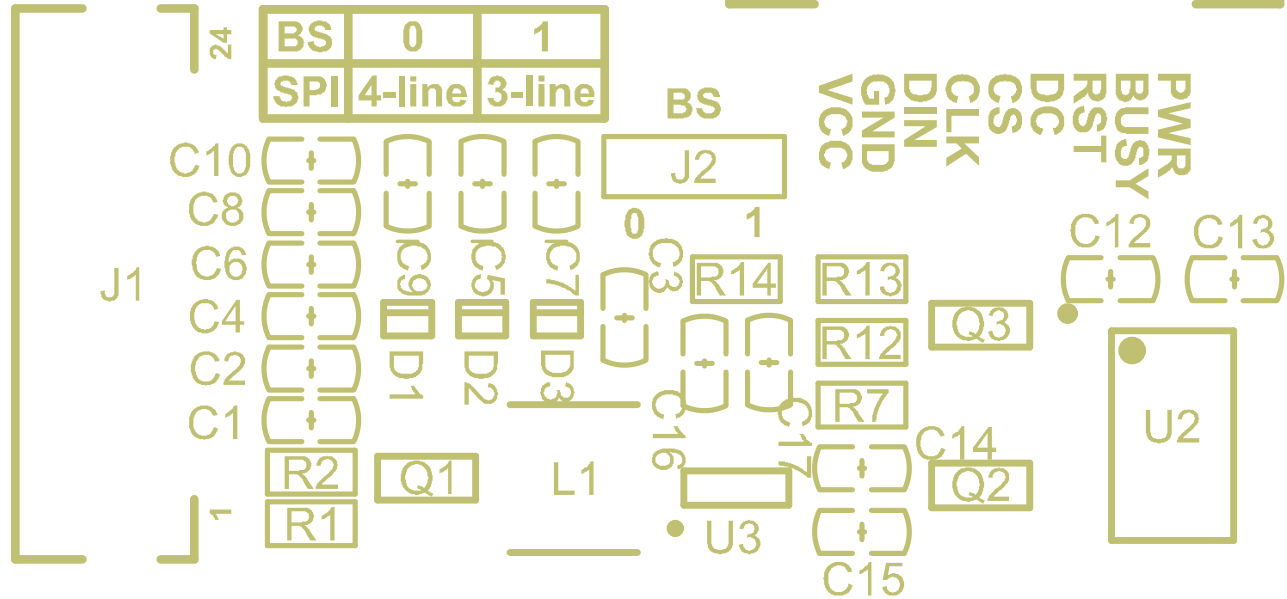
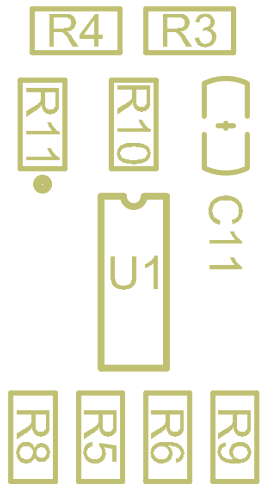




HAT+

2.15inch e-Paper HAT+

LSK1



P1

JLCJLCJLC



LSK4

LSK3

P2