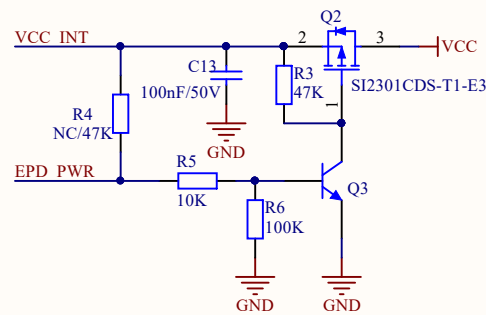
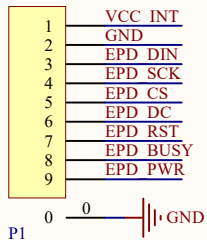
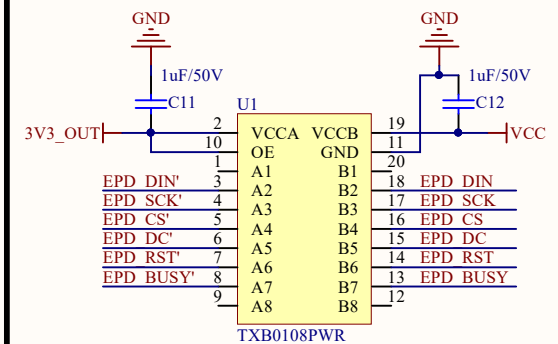
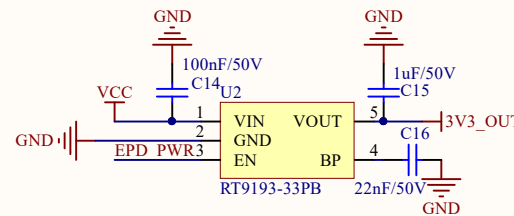


BS	VCC	GND
Interface	3-line SPI	4-line SPI

  
**2.66inch e-Paper Module (G)**



Introduction to R4 resistors :  
 \* NC : Use a separate pin control control, in order to save electricity  
 \* 47K : Always powered on, saving I/O interfaces



R=3.00mm

85.00mm

# 2.66inch e-Paper Module (G)

360×184 Pixels

38.50mm



PWR  
BUSY  
RST  
DC  
CS  
CLK  
DIN  
GND  
VCC

R6

R5

R4

R3

C13

Q3

Q2

C15

C14

U2

C16

C12 C11



L1 Q1

C4

D1 C2

D2 C6

D3 C9

C7

R1

R2

C1

C3

C5

C8

C10



BS	Interface
1	3-line SPI
0	4-line SPI

