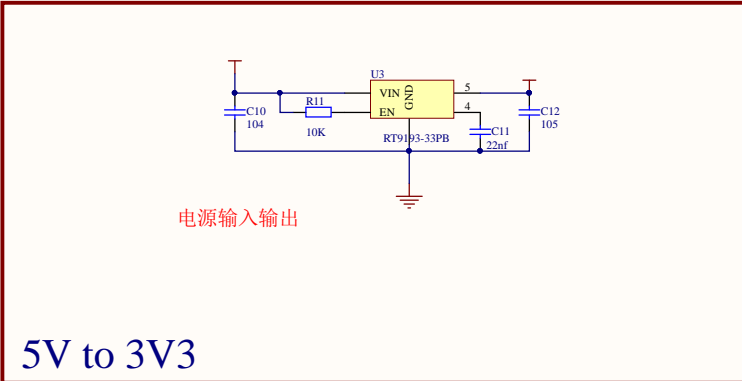
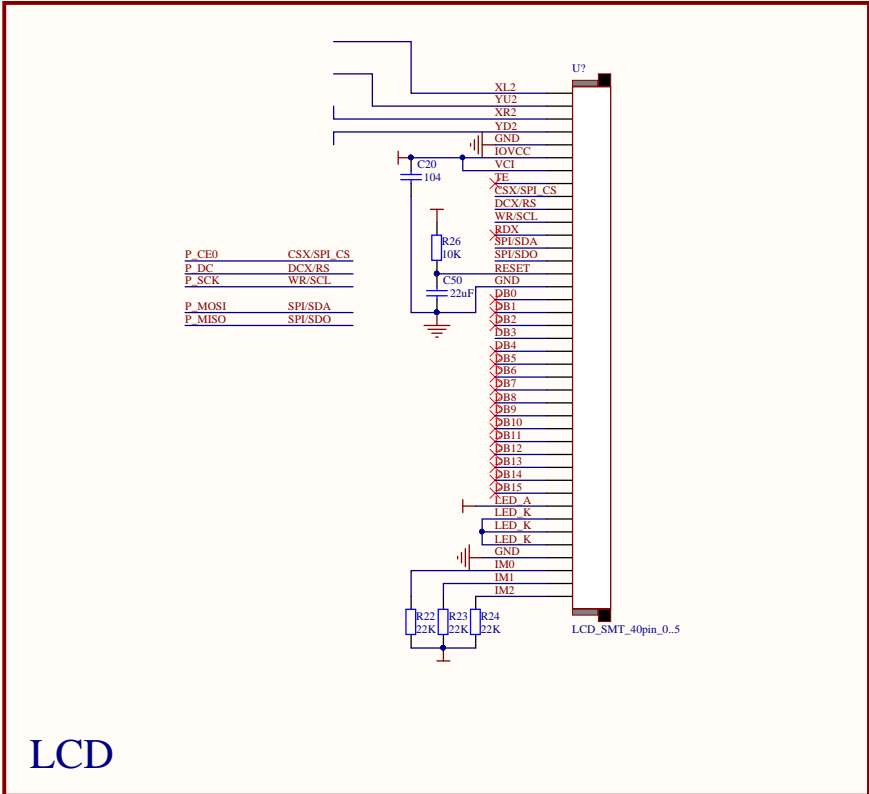


PWM

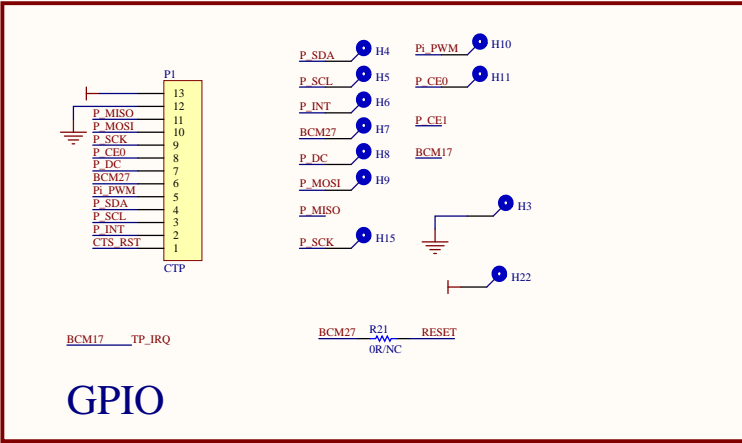


电源输入输出

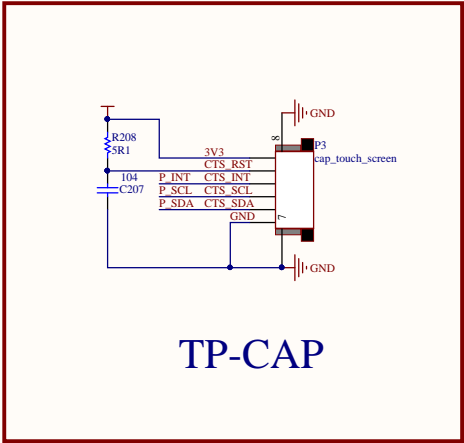
5V to 3V3



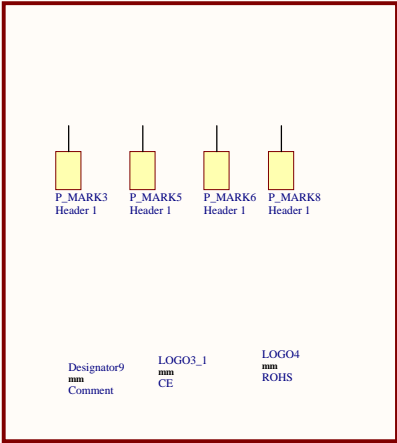
LCD



GPIO



TP-CAP



Title		
Size	Number	Revision
A2		
Date:	2025/3/28	Sheet of
File:	E:\项目\1.3.5inch RP LCD (F).SchDoc	Drawn By: