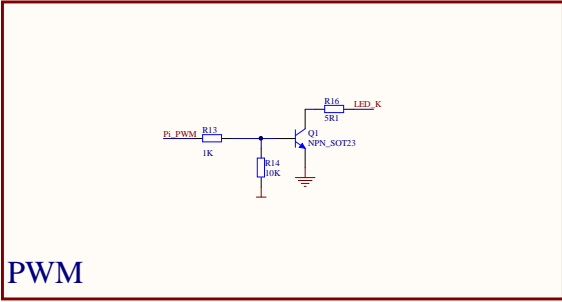
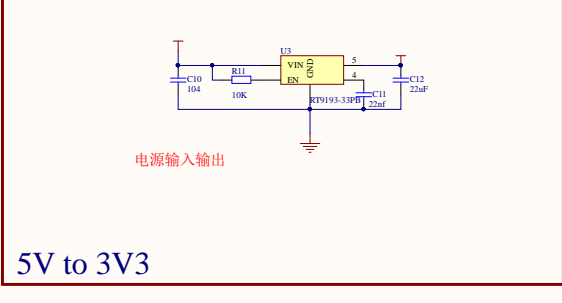


TP-Resistive

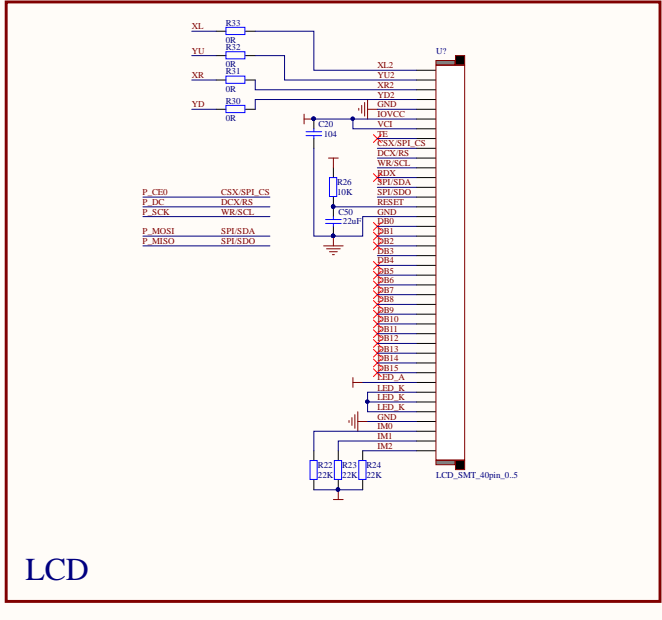


PWM

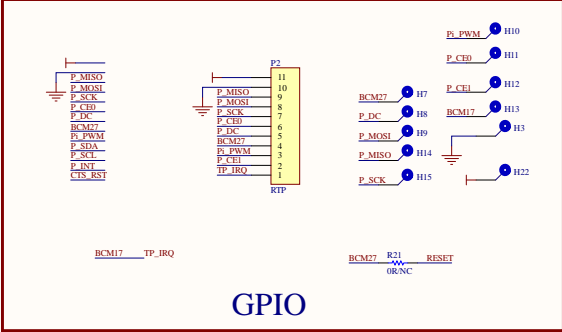


电源输入输出

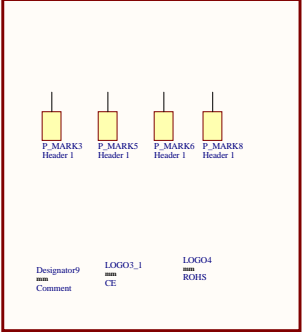
5V to 3V3



LCD



GPIO



| | | |
|-------|---------------------------|------------|
| Title | | |
| Size | Number | Revision |
| A2 | | |
| Date | 2025/02/28 | Sheet of |
| File | 电阻H1.3.5-RPI-LCD(G).排板PCB | Design By: |