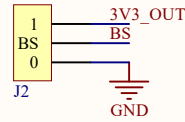
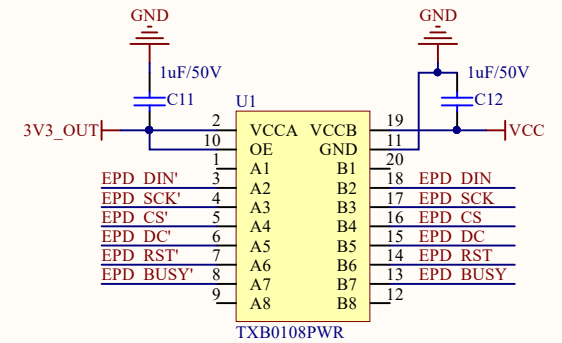
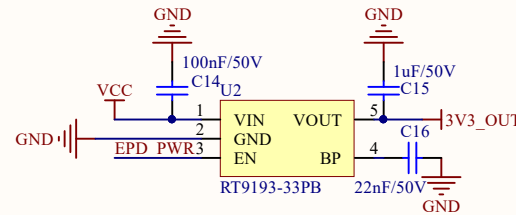
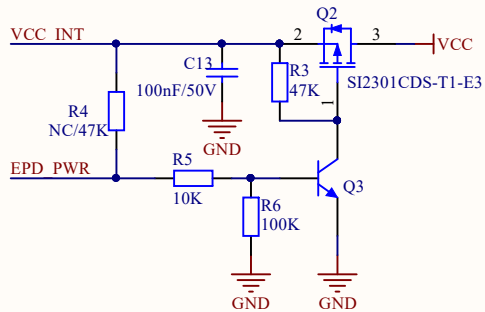
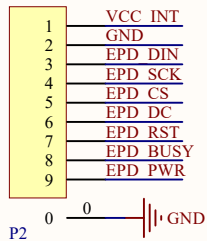
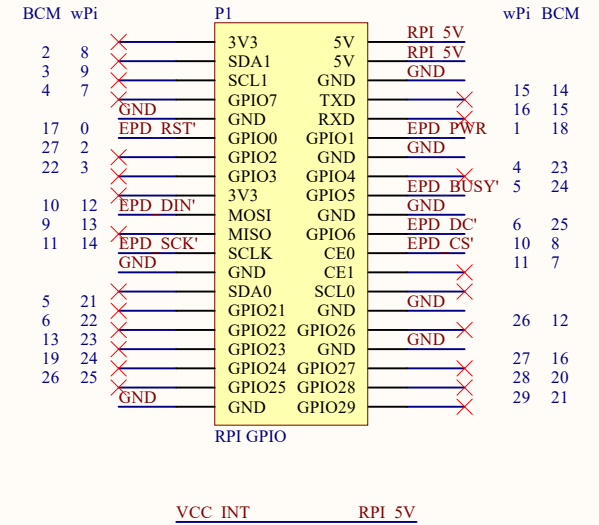
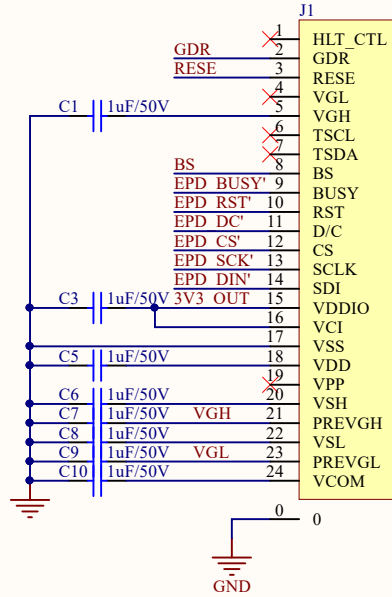
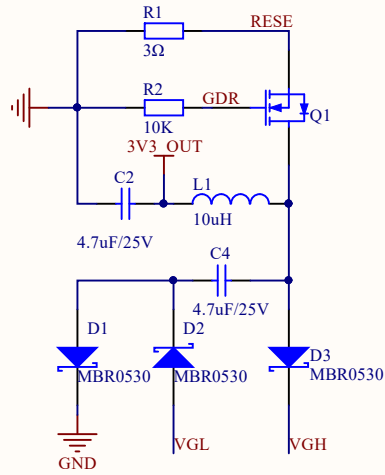




4.26inch e-Paper HAT



BS	VCC	GND
Interface	3-line SPI	4-line SPI



Introduction to R4 resistors :
 * NC : Use a separate pin control, in order to save electricity
 * 47K : Always powered on, saving I/O interfaces

R=1.00mm

107.00mm

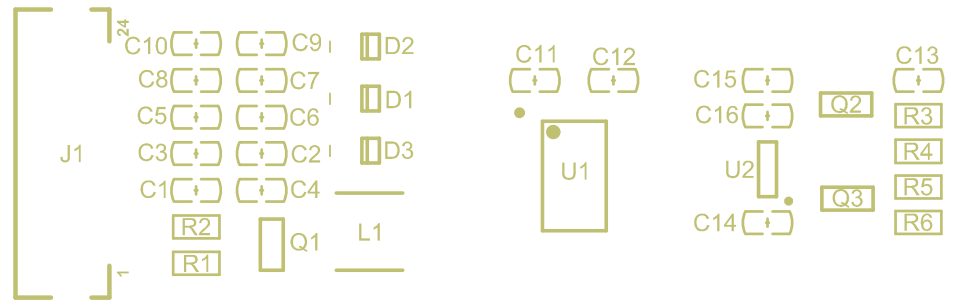
64.00mm

BS
1 J2 0

BS	Interface
1	3-line SPI
0	4-line SPI

P2

PWR
BUST
RST
DC
CS
CLK
DIN
GND
VCC



4.26inch e-Paper HAT

800×480 Pixels

P1