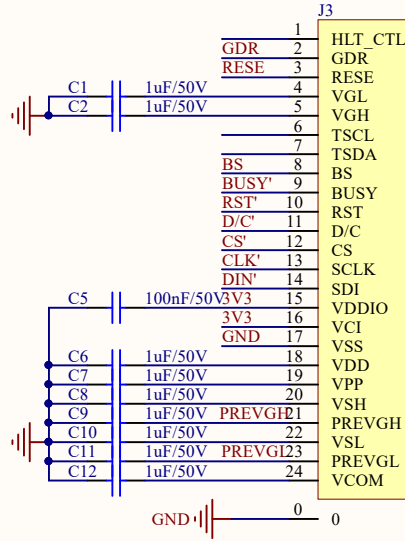
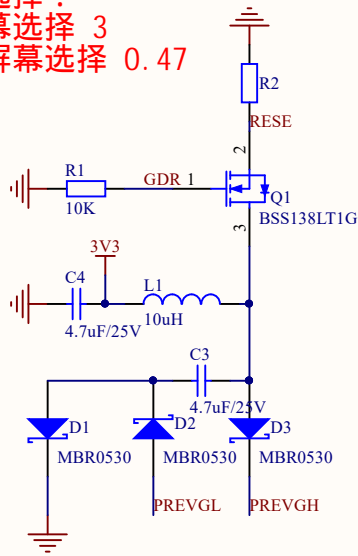
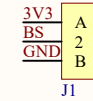


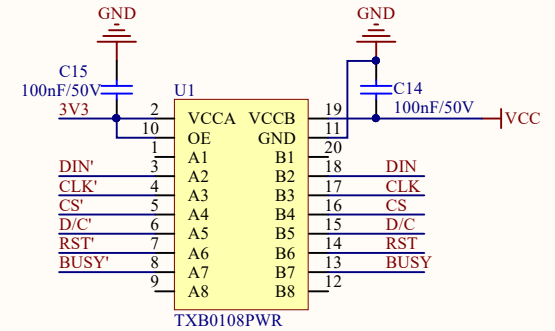
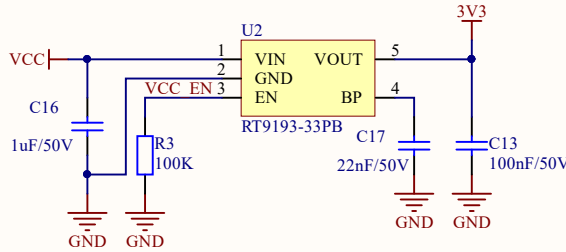
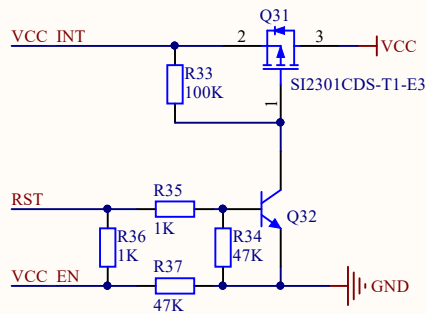
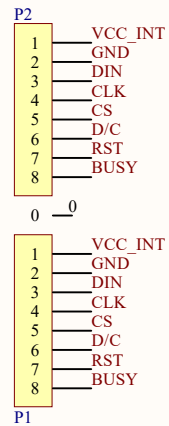
R2电阻选择：
黑白屏幕选择 3
黑白红屏幕选择 0.47



	VCC	GND
BS	3-line SPI	4-line SPI



W aveshare
4.2inch e-Paper



4.2inch e-Paper Module

400×300 Pixels

Rev2.2



BUSY
RST
DC
CS
CLK
DIN
GND
VCC

VCC
GND
DIN
CLK
CS
DC
RST
BUSY

BS	Interface
1	3-line SPI
0	4-line SPI

