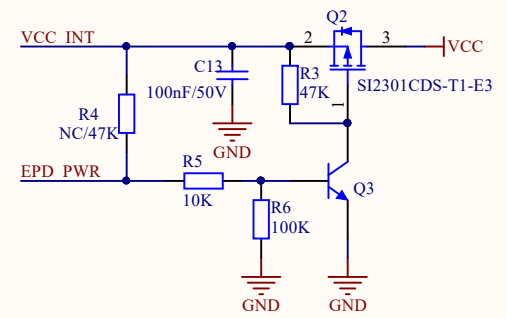
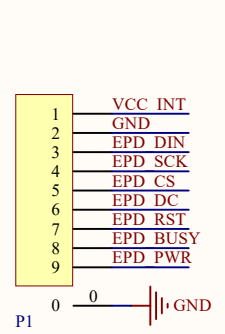


BS	VCC	GND
Interface	3-line SPI	4-line SPI

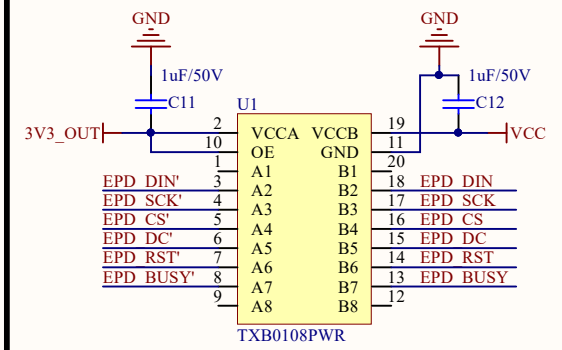
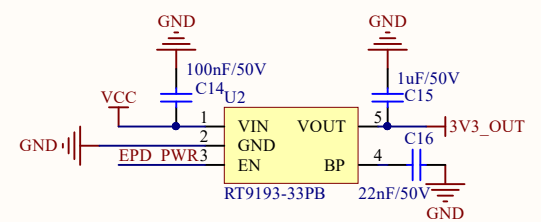


### 5.79inch e-Paper Module



Introduction to R4 resistors :

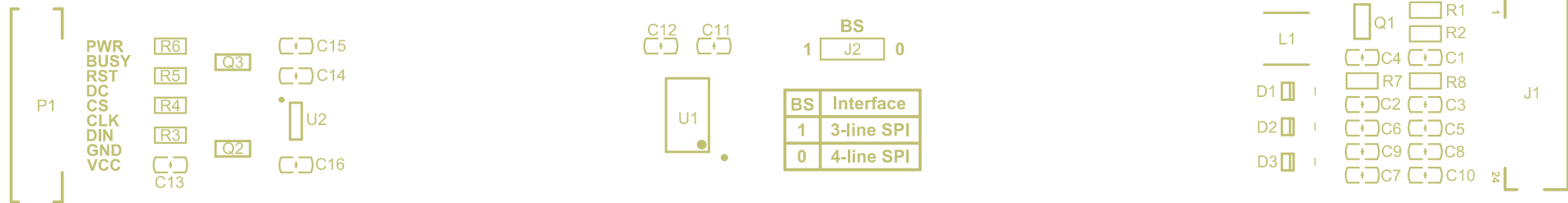
- \* NC : Use a separate pin control control, in order to save electricity
- \* 47K : Always powered on, saving I/O interfaces





# 5.79inch e-Paper Module

## 792×272 Pixels



BS	Interface
1	3-line SPI
0	4-line SPI