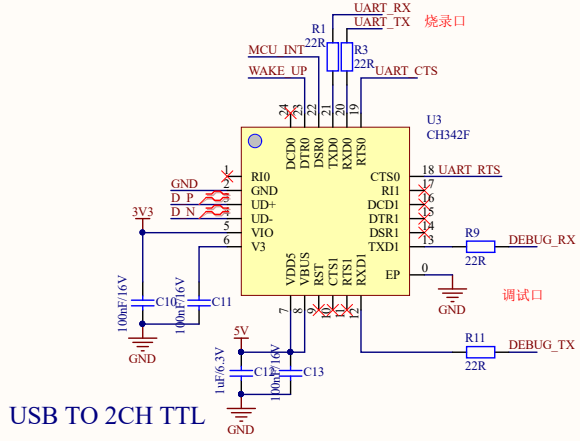
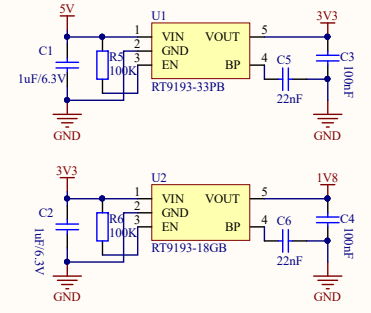


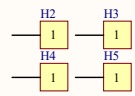
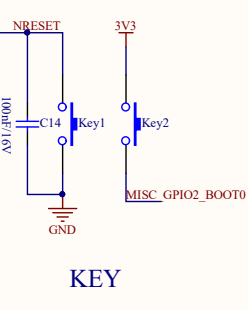
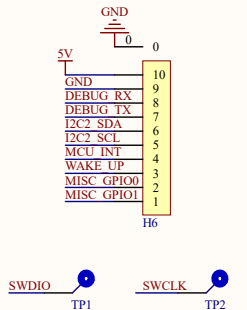
TYPE C



USB TO 2CH TTL

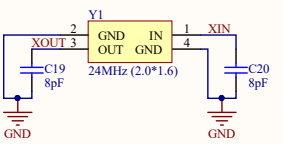
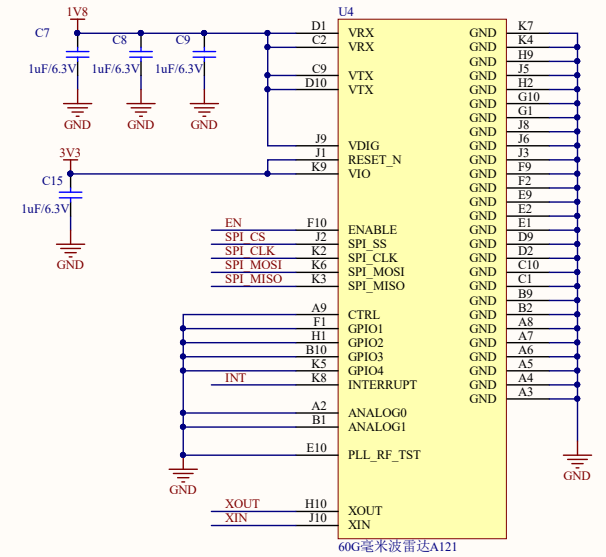


LDO

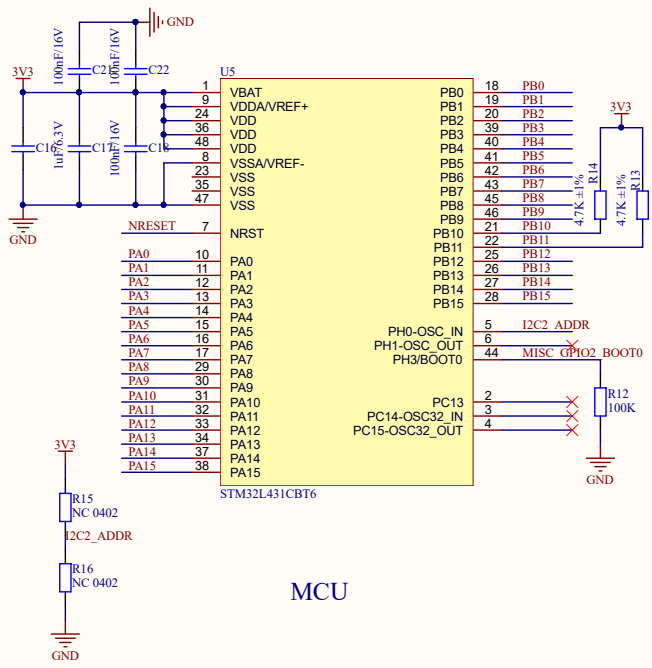


OTHER

W aveshare
A121 Range Sensor



A121



MCU

CH32V203F8U6	A121	UART	I2C	Debug	Other
PA0		UART_CTS			
PA1		UART_RTS			
PA2		UART_TX			
PA3		UART_RX			
PA4					MISC_GPIO1
PA5	SPI_CLK				
PA6	SPI_MISO				
PA7	SPI_MOSI				
PA8				DEBUG_TX	
PA9				DEBUG_RX	
PA10					WAKE_UP
PA11					SWDIO
PA12					SWCLK
PA13					
PA14					
PA15					
PB0	SPI_CS				MISC_GPIO0
PB1					
PB2					
PB3	INT				
PB4					
PB5					
PB6					
PB7					
PB8					
PB9					MCU_INT
PB10			I2C_SCL		
PB11			I2C_SDA		
PB12	EN				
PB13					
PB14					
PB15					

GPIO