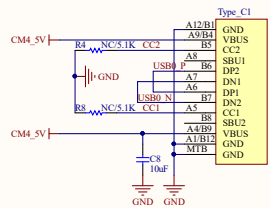
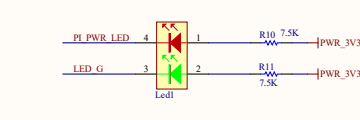


CM5



Type C Power

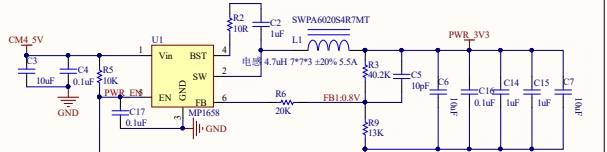
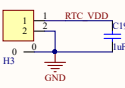


LED

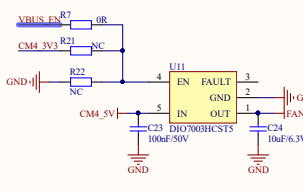


VDD_IO

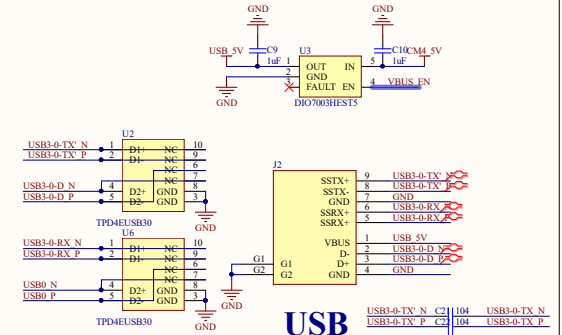
RTC BAT



3V3



FAN

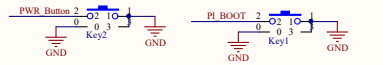


USB

LOGO

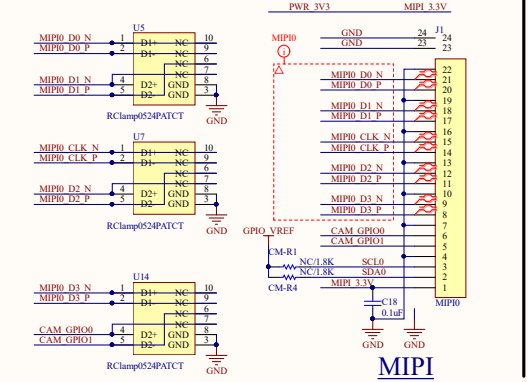


CM5-NANO-A



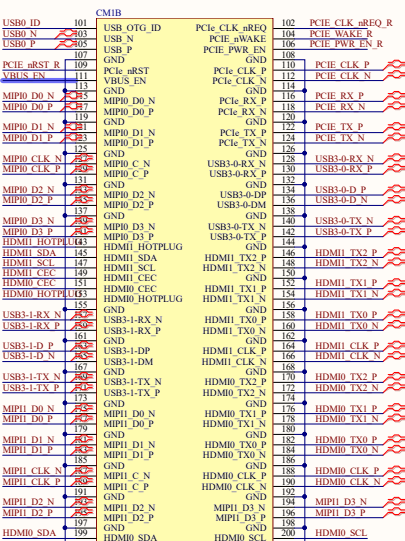
PWR_KEY

MIPI



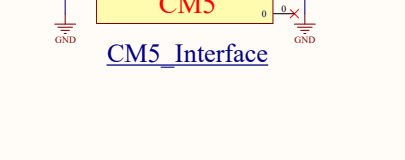
Raspberry 40 PIN

Table mapping Raspberry Pi 40-pin headers to the board's pin headers. Columns include Pin, P3.3V, 5V, GND, and PiCAM Vp1. Includes a note at the bottom: 'NC插针 彩色直插针 *20(2.54mm) 铜镀金'.



Micro SD Card

Multifunction



CM5 Interface