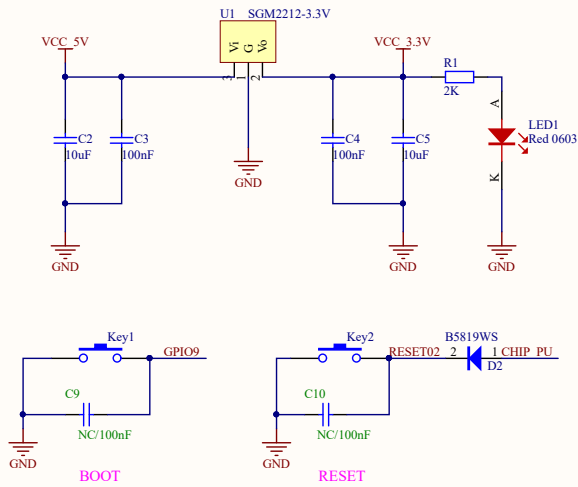
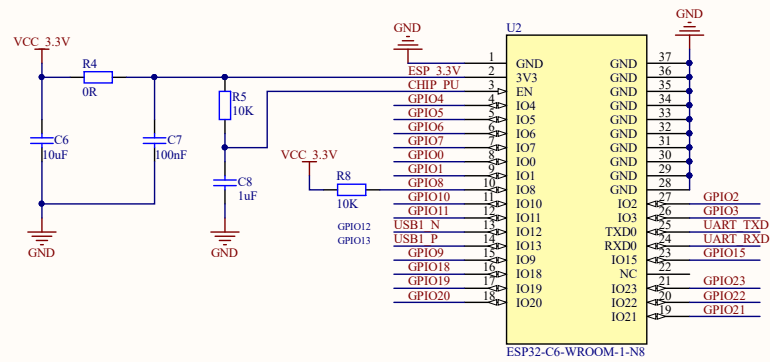


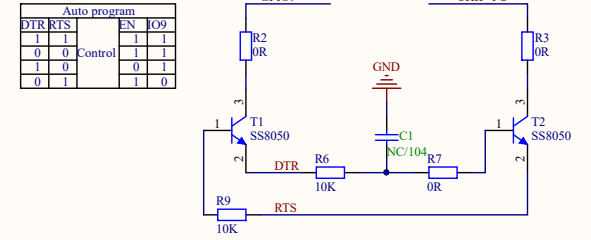
Power Regulator



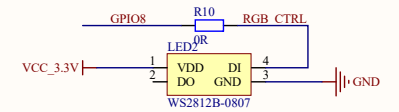
ESP32 -C6-WR00M-1



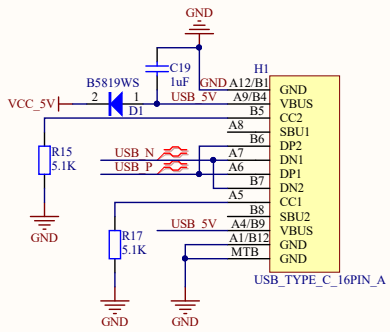
Auto DownLoad:



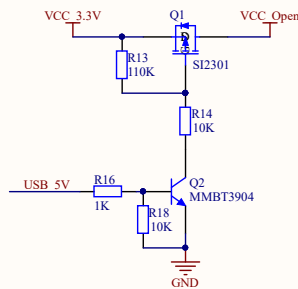
RGB



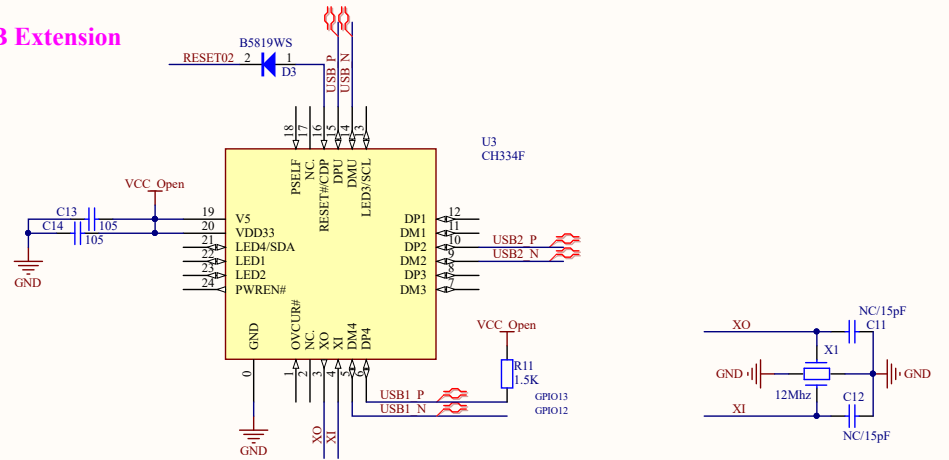
Type-C Interface



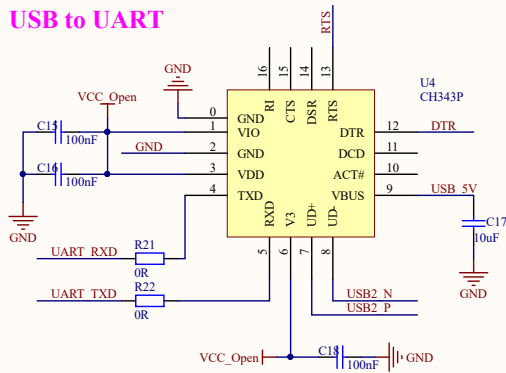
Power Optimization



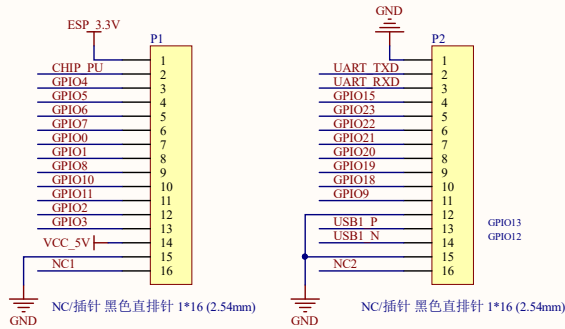
USB Extension



USB to UART



Pin Header



W aveshare
ESP32-C6-DEV-KIT-N8