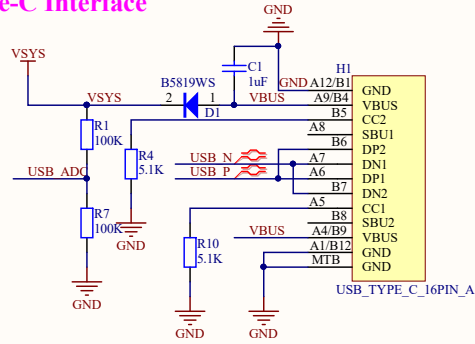
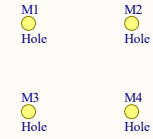
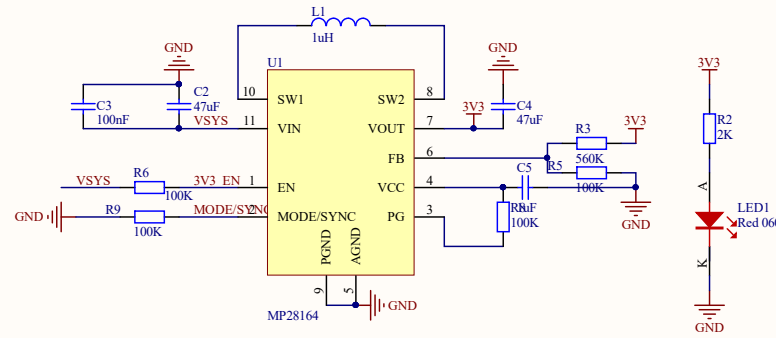


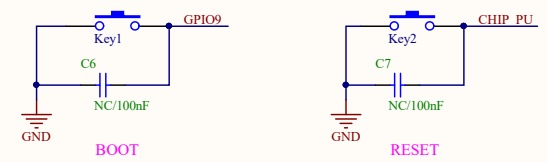
Type-C Interface



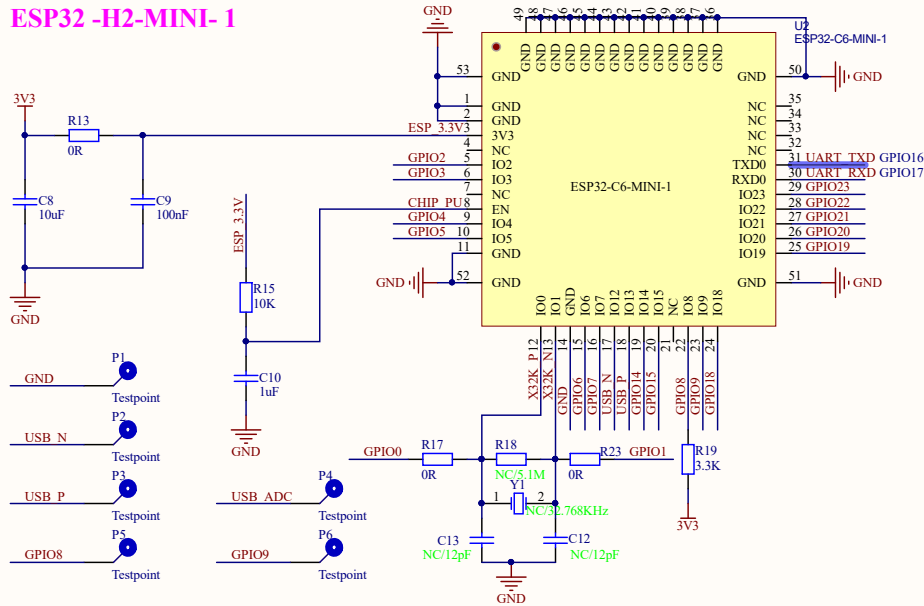
Power Regulator



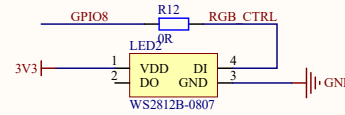
W
aveshare
ESP32-C6-Pico



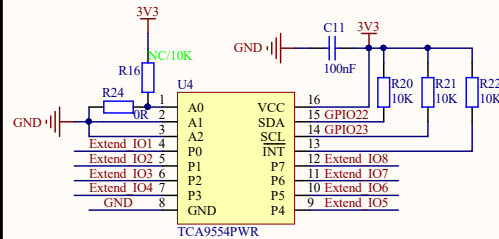
ESP32 -H2-MINI- 1



RGB



IO Extension



Pin Header

