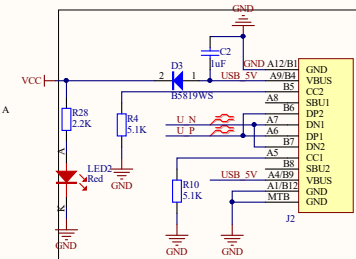
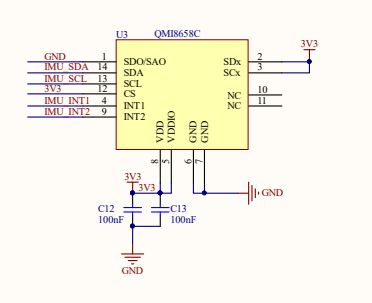
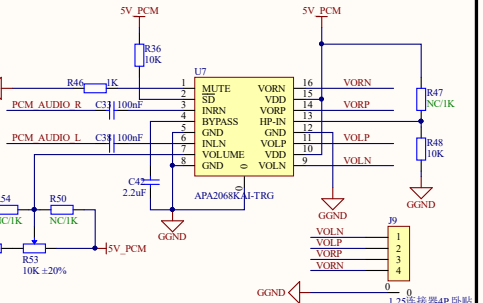
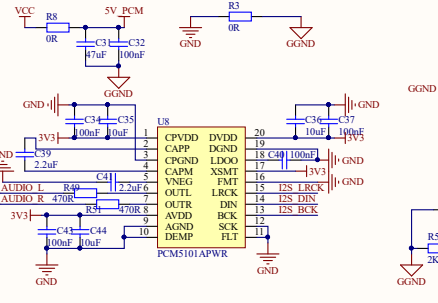
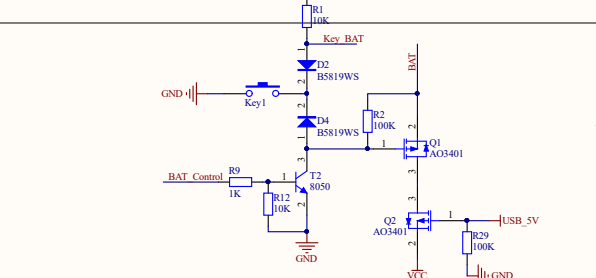
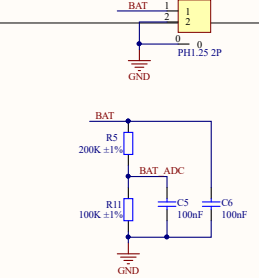
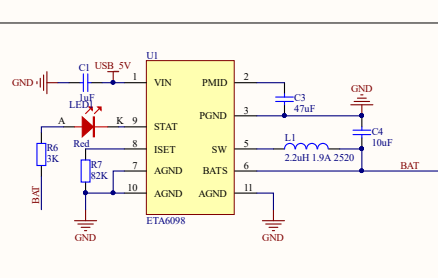
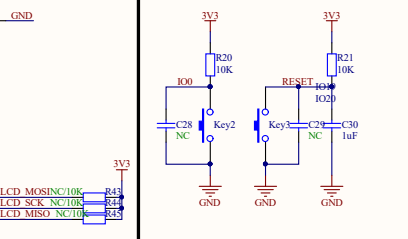
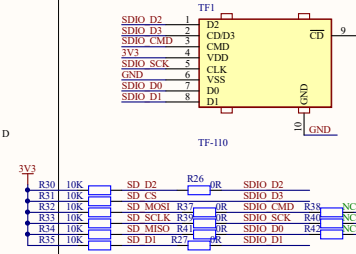
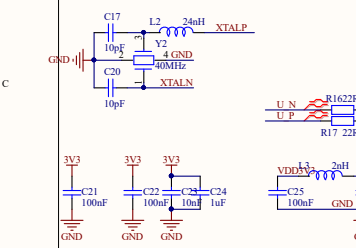
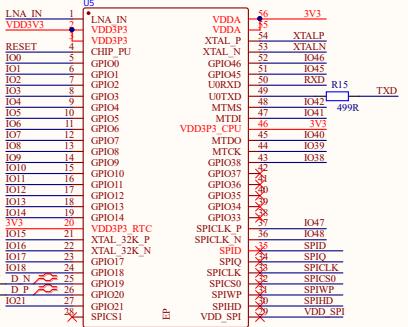
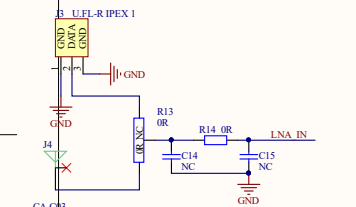
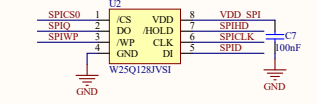
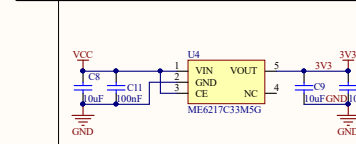


### Type-C Interface



## ESP32-S3-Touch-LCD-2.8



GPIO	LCD	SD Card	IMU	RTC	UART	I2C	Speak	Other
IO0								GPIO0
IO1	TP_SDA							
IO2	TP_RST							
IO3	TP_SCL							
IO4	TP_INT							
IO5	LCD_BL							
IO6								Key_BAT
IO7								BAT_Control
IO8								BAT_ADC
IO9				RTC_INT				
IO10			IMU_SCL	RTC_SCL		SCL		
IO11			IMU_SDA	RTC_SDA		SDA		
IO12			IMU_INT2					
IO13			IMU_INT1					
IO14		SD_SCLK						
IO15		SD_D2						GPIO15
IO16		SD_MISO						
IO17		SD_MOSI						
IO18		SD_D1						GPIO18
IO19								D_N
IO20								D_P
IO21		SD_CS						
IO22								
IO23								Internal occupancy
IO24								Internal occupancy
IO25								Internal occupancy
IO26								Internal occupancy
IO27								Internal occupancy
IO28								Internal occupancy
IO29	LCD_RST							
IO30	LCD_SCK							
IO31	LCD_D/C							
IO32	LCD_CS							
IO33								Internal occupancy
IO34								Internal occupancy
IO35								Internal occupancy
IO36								Internal occupancy
IO37								Internal occupancy
IO38								Internal occupancy
IO39	LCD_RST							
IO40	LCD_SCK							
IO41	LCD_D/C							
IO42	LCD_CS							
IO43								Internal occupancy
IO44								Internal occupancy
IO45	LCD_MOSI							
IO46	LCD_MISO							
IO47						I2S_DIN		
IO48						I2S_BCK		

