



# SIM7672X & SIM7652X Series\_UIM HOT SWAP\_ Application Note

LTE Module

## **SIMCom Wireless Solutions Limited**

SIMCom Headquarters Building, Building 3, No. 289 Linhong  
Road, Changning District, Shanghai P.R. China

Tel: 86-21-31575100

[support@simcom.com](mailto:support@simcom.com)

[www.simcom.com](http://www.simcom.com)

<b>Document Title:</b>	SIM7672X & SIM7652X Series_UIM HOT SWAP_Application Note
<b>Version:</b>	1.00
<b>Date:</b>	2023.05.22
<b>Status:</b>	Released

## GENERAL NOTES

SIMCOM OFFERS THIS INFORMATION AS A SERVICE TO ITS CUSTOMERS, TO SUPPORT APPLICATION AND ENGINEERING EFFORTS THAT USE THE PRODUCTS DESIGNED BY SIMCOM. THE INFORMATION PROVIDED IS BASED UPON REQUIREMENTS SPECIFICALLY PROVIDED TO SIMCOM BY THE CUSTOMERS. SIMCOM HAS NOT UNDERTAKEN ANY INDEPENDENT SEARCH FOR ADDITIONAL RELEVANT INFORMATION, INCLUDING ANY INFORMATION THAT MAY BE IN THE CUSTOMER'S POSSESSION. FURTHERMORE, SYSTEM VALIDATION OF THIS PRODUCT DESIGNED BY SIMCOM WITHIN A LARGER ELECTRONIC SYSTEM REMAINS THE RESPONSIBILITY OF THE CUSTOMER OR THE CUSTOMER'S SYSTEM INTEGRATOR. ALL SPECIFICATIONS SUPPLIED HEREIN ARE SUBJECT TO CHANGE.

## COPYRIGHT

THIS DOCUMENT CONTAINS PROPRIETARY TECHNICAL INFORMATION WHICH IS THE PROPERTY OF SIMCOM WIRELESS SOLUTIONS LIMITED COPYING, TO OTHERS AND USING THIS DOCUMENT, ARE FORBIDDEN WITHOUT EXPRESS AUTHORITY BY SIMCOM. OFFENDERS ARE LIABLE TO THE PAYMENT OF INDEMNIFICATIONS. ALL RIGHTS RESERVED BY SIMCOM IN THE PROPRIETARY TECHNICAL INFORMATION , INCLUDING BUT NOT LIMITED TO REGISTRATION GRANTING OF A PATENT , A UTILITY MODEL OR DESIGN. ALL SPECIFICATION SUPPLIED HEREIN ARE SUBJECT TO CHANGE WITHOUT NOTICE AT ANY TIME.

### **SIMCom Wireless Solutions Limited**

SIMCom Headquarters Building, Building 3, No. 289 Linhong Road, Changning District, Shanghai P.R. China

Tel: +86 21 31575100

Email: [simcom@simcom.com](mailto:simcom@simcom.com)

### **For more information, please visit:**

[https://www.simcom.com/technical\\_files.html](https://www.simcom.com/technical_files.html)

### **For technical support, or to report documentation errors, please visit:**

[https://www.simcom.com/online\\_questions.html](https://www.simcom.com/online_questions.html) or email to: [support@simcom.com](mailto:support@simcom.com)

Copyright © 2023 SIMCom Wireless Solutions Limited All Rights Reserved.

# About Document

## Version History

Revision	Date	Owner	Description
V1.00	2023.05.22		New version

SIMCom  
Confidential

## Scope

Based on module AT command manual, this document will introduce USIM Hot-swap application process. Developers could understand and develop application quickly and efficiently based on this document. This document applies to SIM7672X Series, SIM7652X Series.

SIMCom  
Confidential

# Contents

<b>About Document</b> .....	<b>3</b>
Version History .....	3
Scope .....	4
<b>Contents</b> .....	<b>5</b>
<b>1 Introduction</b> .....	<b>6</b>
1.1 Purpose of the document .....	6
1.2 Related documents .....	6
1.3 Conventions and abbreviations .....	6
<b>2 USIM hot-swap detect Application Guide</b> .....	<b>7</b>
<b>3 AT Command</b> .....	<b>8</b>
3.1 AT+UIMHOTSWAPON Set UIM Hot-swap Function On .....	8
3.2 AT+UIMHOTSWAPLEVEL Set UIM Card Detection Level .....	9
<b>4 UIM Hot Swap ExampIs</b> .....	<b>11</b>
4.1 Enable UIM Hot Swap .....	11

# 1 Introduction

## 1.1 Purpose of the document

Based on module AT command manual, this document introduces UIM card detection and UIM hot swap. Developers could understand and develop application quickly and efficiently based on this document.

## 1.2 Related documents

[1] SIM7672X & SIM7652X Series\_AT Command Manual

## 1.3 Conventions and abbreviations

Abbreviation	Description
ME	Mobile Equipment
MS	Mobile Station
TA	Terminal Adapter
DCE	Data Communication Equipment
PIN	Personal Identification Number
PUK	Personal Unlock Key
SIM	Subscriber Identity Module
TE	Terminal Equipment
DTE	Data Terminal Equipment

## 2 USIM hot-swap detect Application Guide

Note that the USIM peripheral circuit should be close to the USIM card socket. The following figure shows the 8-pin SIM card holder reference circuit.

Customer should use **AT+UIMHOTSWAPON=1** to open the hot-swap detect function. If the SIM card holder is normal open kind, customer should use the command **AT+UIMHOTSWAPLEVEL=0**, If the SIM card holder is normal close kind, customer should use the command **AT+UIMHOTSWAPLEVEL=1**.

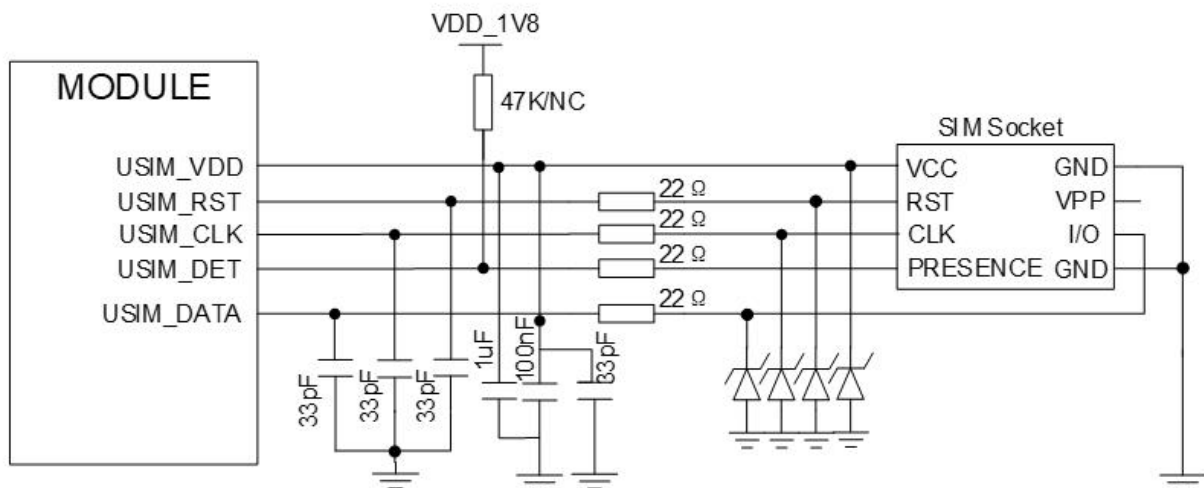


Figure 1: SIM card holder reference circuit(8 pin)

## 3 AT Command

Command	Description
<b>AT+UIMHOTSWAPON</b>	Set UIM hot-swap function on
<b>AT+UIMHOTSWAPLEVEL</b>	Set UIM card detection level

### 3.1 AT+UIMHOTSWAPON Set UIM Hot-swap Function On

<b>AT+UIMHOTSWAPON Set UIM hot-swap function on</b>	
Test Command <b>AT+UIMHOTSWAPON=?</b>	Response 1) <b>+UIMHOTSWAPON: (0-1)</b>  <b>OK</b> 2) <b>ERROR</b>
Read Command <b>AT+UIMHOTSWAPON?</b>	Response 1) <b>+UIMHOTSWAPON: &lt;on/off&gt;</b>  <b>OK</b> 2) <b>ERROR</b>
Write Command <b>AT+UIMHOTSWAPON=&lt;on/off&gt;</b>	Response 1) <b>OK</b> 2) <b>ERROR</b>
Parameter Saving Mode	AUTO_SAVE
Max Response Time	5000ms
Reference	-

#### Defined Values

<b>&lt;on/off&gt;</b>	0 The UIM hot-swap function is disabled
	1 The UIM hot-swap function is enabled



## Examples

**AT+UIMHOTSWAPON=?**

**+UIMHOTSWAPON: (0-1)**

**OK**

**AT+UIMHOTSWAPON?**

**+UIMHOTSWAPON: 0**

**OK**

**AT+UIMHOTSWAPON=1**

**OK**

## 3.2 AT+UIMHOTSWAPLEVEL Set UIM Card Detection Level

<b>AT+UIMHOTSWAPLEVEL Set UIM Card Detection Level</b>	
Test Command <b>AT+UIMHOTSWAPLEVEL=?</b>	Response 1) <b>+UIMHOTSWAPLEVEL: (0-1)</b> <b>OK</b> 2) <b>ERROR</b>
Read Command <b>AT+UIMHOTSWAPLEVEL?</b>	Response 1) <b>+UIMHOTSWAPLEVEL: &lt;level&gt;</b> <b>OK</b> 2) <b>ERROR</b>
Write Command <b>AT+UIMHOTSWAPLEVEL=&lt;level&gt;</b>	Response 1) <b>OK</b> 2) <b>ERROR</b>
Parameter Saving Mode	AUTO_SAVE
Max Response Time	5000ms
Reference	-

## Defined Values

<level>	0	ACTIVE LOW
	1	ACTIVE HIGH

## Examples

```
AT+UIMHOTSWAPLEVEL=?  
+UIMHOTSWAPLEVEL: (0-1)
```

OK

```
AT+UIMHOTSWAPLEVEL?  
+UIMHOTSWAPLEVEL: 0
```

OK

```
AT+UIMHOTSWAPLEVEL=1  
OK
```

### NOTE

- Refer the used SIM card holder, usually it's a "normal open kind" one, Set high or low level depends on the hardware.
- Set UIM card detection level to active high, Means high-level triggers SIM hardware interrupt.

## 4 UIM Hot Swap Examp<sup>l</sup>s

### 4.1 Enable UIM Hot Swap

```
AT+UIMHOTSWAPLEVEL? // The default value is 0
+UIMHTOSWAPLEVEL: 0

OK
AT+UIMHOTSWAPLEVEL=1 // Set UIM card detection level to active high
OK
AT+UIMHOTSWAPON=1 // Enable hot-swap.
OK
```