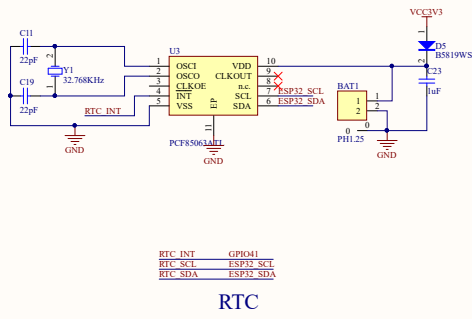
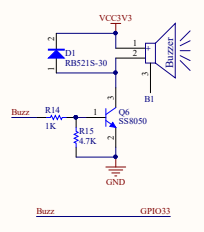


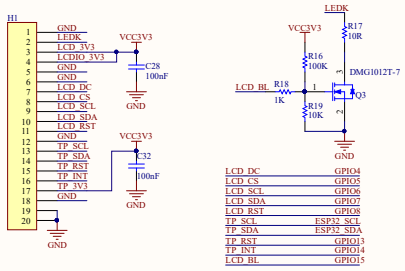
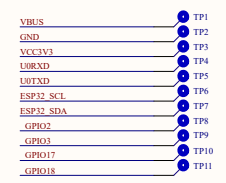
ESP32-S3	LCD	USB	UART	RTC	SH1C3	Buzzer	QM8658C	SYS	OUT
GPI01								BAT_ADC	
GPI02									GPI03
GPI03									GPI03
GPI04	LCD_DC								
GPI05	LCD_CS								
GPI06	LCD_SCL								
GPI07	LCD_SDA								
GPI08	LCD_RST								
GPI09	TP_SCL			RTC_SCL	SH1_SCL		ESP32_SCL		ESP32_SCL
GPI010	TP_SDA			RTC_SDA	SH1_SDA		ESP32_SDA		ESP32_SDA
GPI011	TP_RST								
GPI012	TP_INT								
GPI013	LCD_ILI								
GPI014									
GPI015									
GPI016									
GPI017									GPI017
GPI018									GPI018
GPI019		USB_N							
GPI020		USB_P							
GPI021						Buzzer			
GPI022									
GPI023									
GPI024									
GPI025									
GPI026									
GPI027									
GPI028									
GPI029									
GPI030									
GPI031									
GPI032									
GPI033									
GPI034									
GPI035									
GPI036									SYS_EN
GPI037									
GPI038									SYS_OUT
GPI039									
GPI040									
GPI041									
GPI042									
GPI043									U0TXD
GPI044									U0RXD
GPI045									
GPI046									



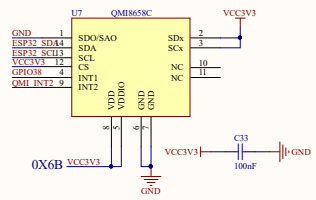
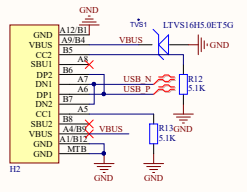
RTC



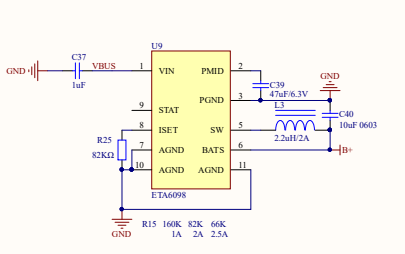
Buzzer



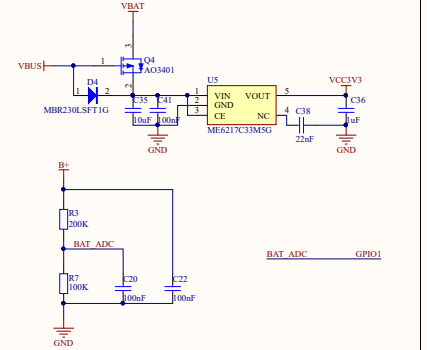
Touch LCD



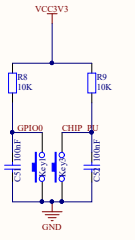
6/9-Axis



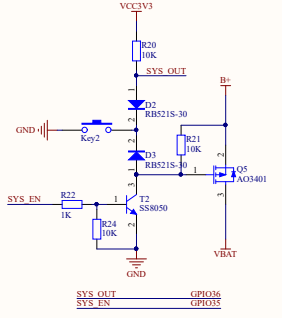
POWER Supply



BAT_ADC



KEYS



SYS_EN

Waveshare **ESP32-S3-Touch-LCD-1.69**