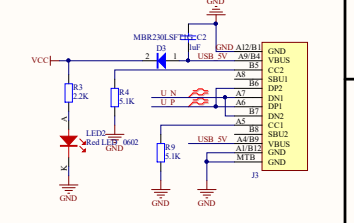
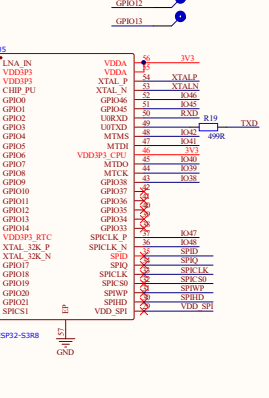
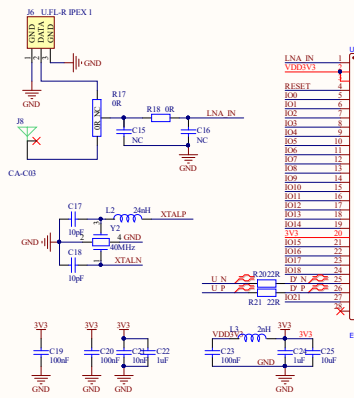
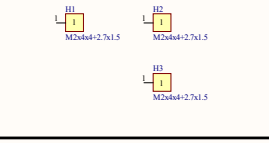
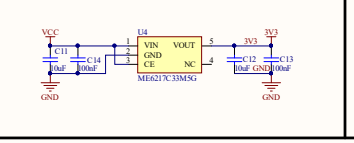
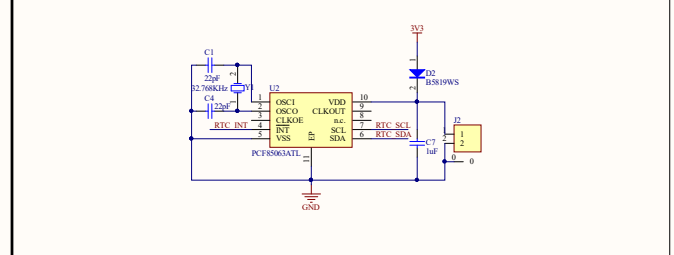
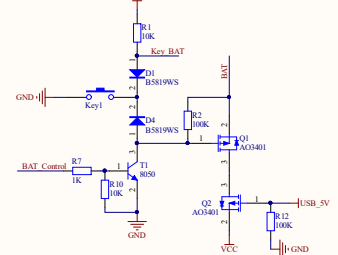
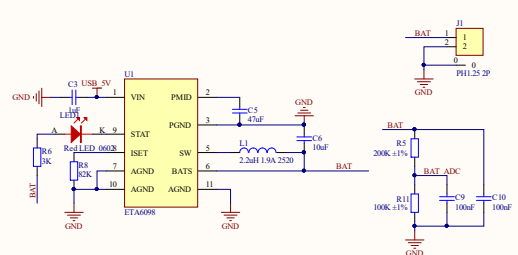
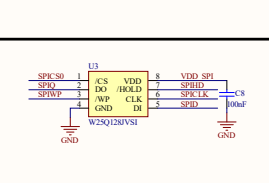


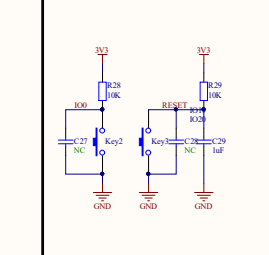
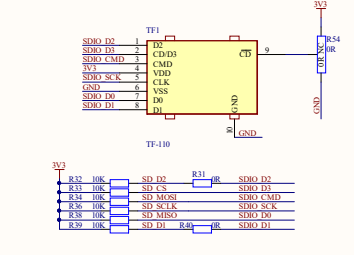
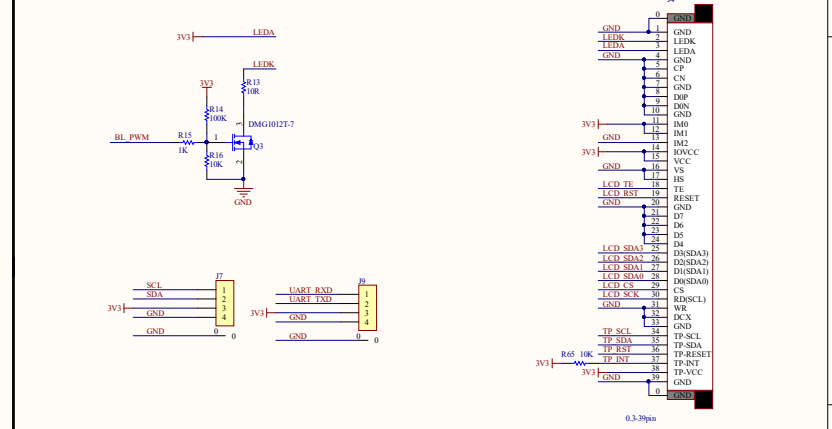
Type-C Interface



ESP32-S3-Touch-LCD-1.85



GPIO	LCD	SD Card	IMU	RTC	UART	I2C	Speak	MIC	Other
GPIO0									GPIO0
GPIO1	TP_SDA								
GPIO2								MIC_WS	
GPIO3	TP_SCL								
GPIO4	TP_INT								
GPIO5	BL_PWM								
GPIO6								Key_BAT	
GPIO7								BAT_Control	
GPIO8								BAT_ADC	
GPIO9				RTC_INT					
GPIO10			IMU_SCL	RTC_SCL		SCL			EXD_SCL
GPIO11			IMU_SDA	RTC_SDA		SDA			EXD_SDA
GPIO12									GPIO12
GPIO13									GPIO13
GPIO14	SD_SCLK								
GPIO15								MIC_SCK	
GPIO16									
GPIO17									
GPIO18	LCD_TE								
GPIO19									D_N
GPIO20									D_P
GPIO21	LCD_CS								
GPIO22									Internal occupancy
GPIO23									Internal occupancy
GPIO24									Internal occupancy
GPIO25									Internal occupancy
GPIO26									Internal occupancy
GPIO27									Internal occupancy
GPIO28								DS_LRCK	
GPIO29	LCD_SCK							MIC_SD	
GPIO30	LCD_SDA3								
GPIO31	LCD_SDA2								
GPIO32					UART_TXD				IO32
GPIO33					UART_RXD				IO33
GPIO34									
GPIO35									
GPIO36									
GPIO37									
GPIO38									
GPIO39									
GPIO40	LCD_SCK								
GPIO41	LCD_SDA3								
GPIO42	LCD_SDA2								
GPIO43									
GPIO44	LCD_SDA1								
GPIO45	LCD_SDA0								
GPIO46								DS_DIN	
GPIO47								DS_BCK	
GPIO48									
GPIO49	TP_RST								
GPIO50	LCD_RST								
GPIO51		SD_CS							
GPIO52			IMU_INT2						
GPIO53			IMU_INT1						
GPIO54									
GPIO55									
GPIO56									
GPIO57									
GPIO58									



IO Extension

