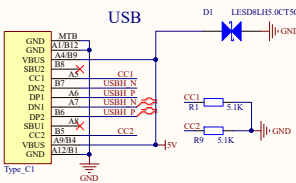
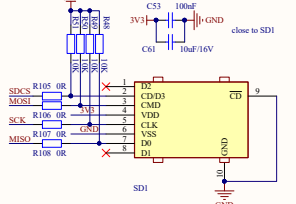


USB to UART

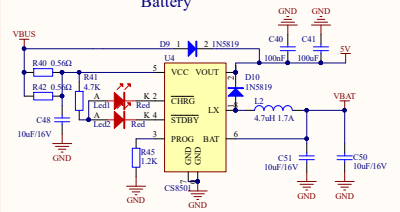


USB

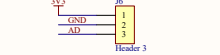
SD-CARD



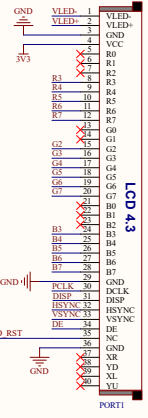
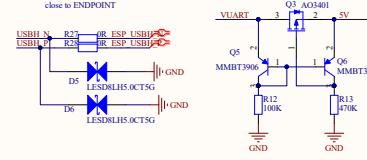
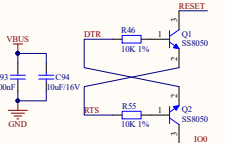
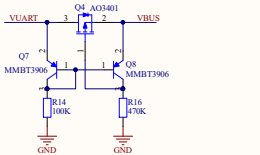
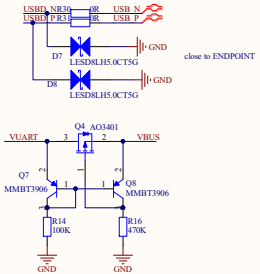
Battery



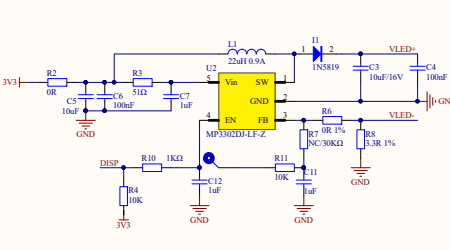
Sensor AD



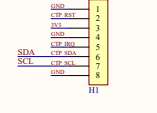
KEY



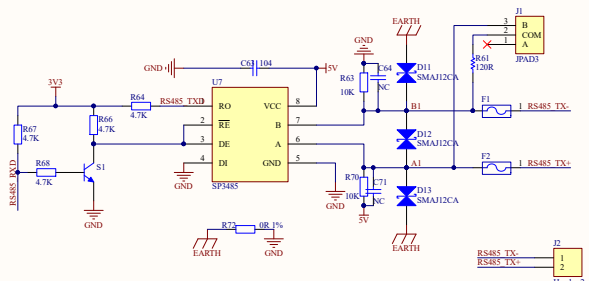
LCD Backlight Power



Touch Panel Interface



RS485



CAN

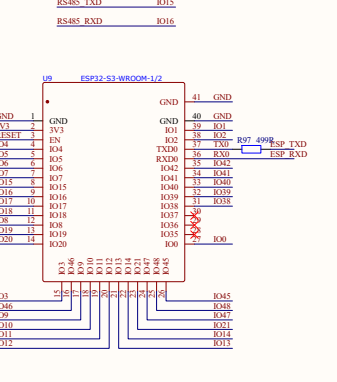
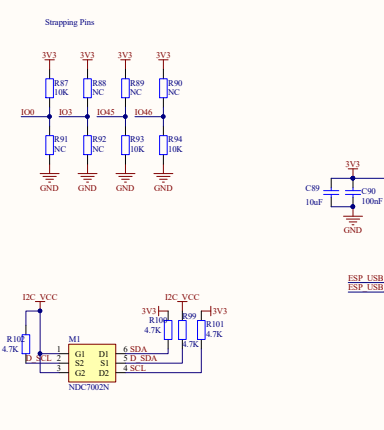
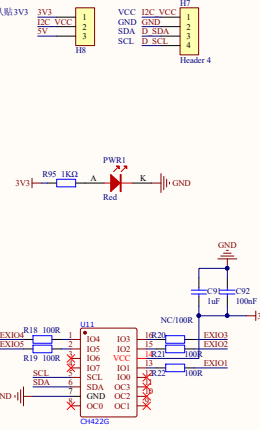
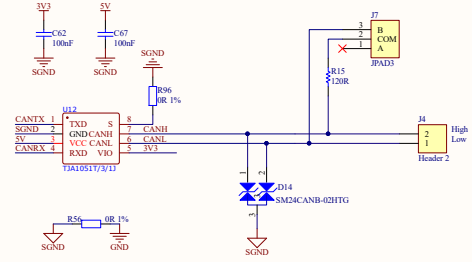
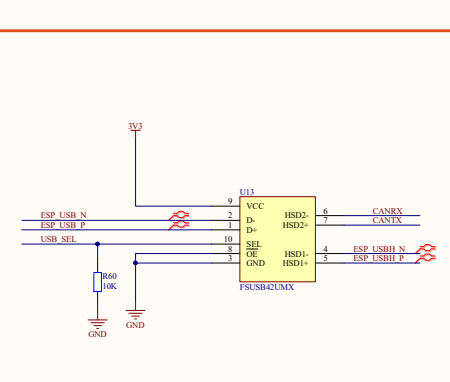


Table listing pin numbers and their functions for various modules: WROOM-1/2, LCD, USB, SD, UART, CAN, Sensor.



ESP32-S3-LCD-4.3



ESP32-S3-LCD-4.3

800×480 Pixels



Waveshare

R91	R87	I2C
R93	R89	3V3 5V
R94	R90	H8
R92	C92	
R88	C92	
C69		

D11	D13	F1
D12	D13	F2
C32		
R70	R67	
C71	R67	
R63	R72	
C64	R67	
R68	R68	
C63	R66	

J1	R61	U7
R20L1	C63	R66
CN		
RS-485		

J2	A	B	RS-485
J7	VCC	GND	SDA SCL
J4	L	H	CAN
J6	3V3	GND	Sensor AD

L2	C51	PWR1	PWR
U4	C50	Led1	CHG
R40	C48	Led2	DONE
R42			
R41			
R95			
R64			
R45			
C40			
C41			
D9			

