

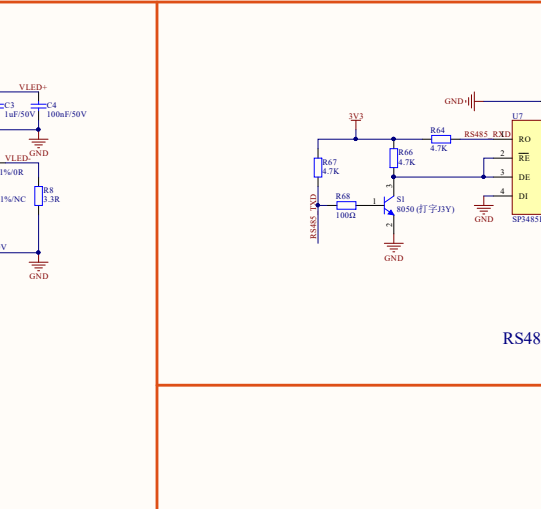
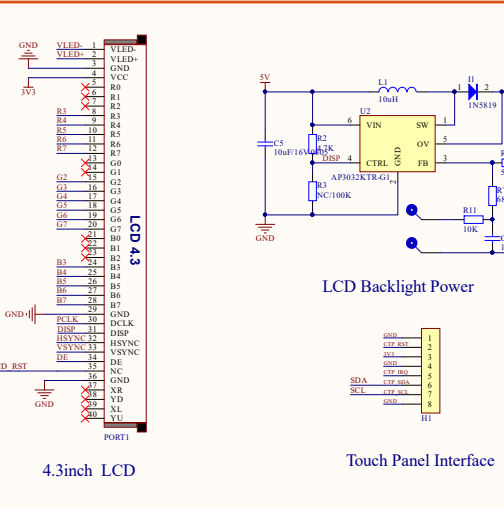
DC DC

USB

SD-CARD

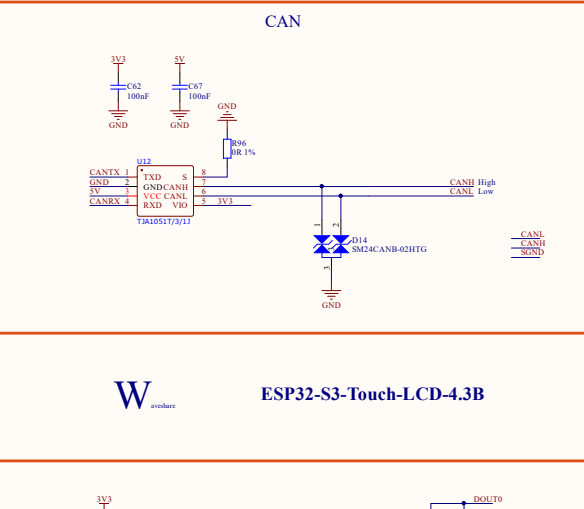
RTC

Battery

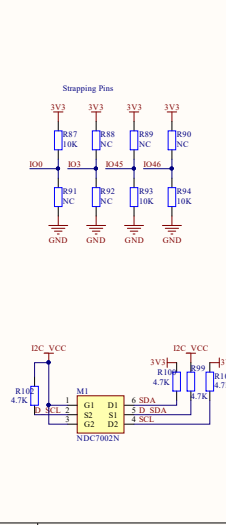
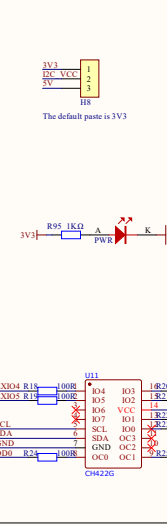


LCD Backlight Power

RS485

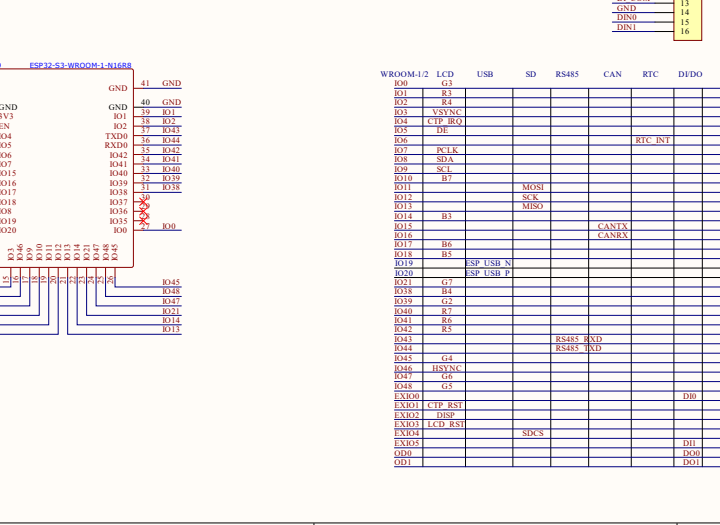


CAN



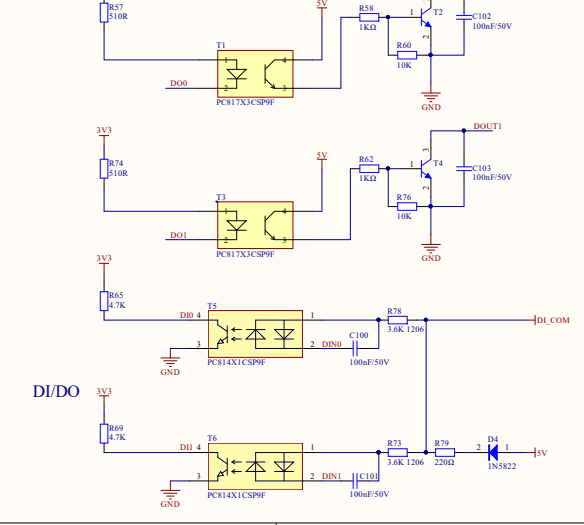
4.3inch LCD

Touch Panel Interface



PIN	FUNCTION	CONNECT
1	VIN	3V3
2	GND	
3	TX	3V3
4	RX	3V3
5	SDA	3V3
6	SCL	3V3
7	TXD0	3V3
8	RXD0	3V3
9	TXD1	3V3
10	RXD1	3V3
11	SD	3V3
12	SD	3V3
13	SD	3V3
14	SD	3V3
15	SD	3V3
16	SD	3V3
17	SD	3V3
18	SD	3V3
19	SD	3V3
20	SD	3V3
21	SD	3V3
22	SD	3V3
23	SD	3V3
24	SD	3V3
25	SD	3V3
26	SD	3V3
27	SD	3V3
28	SD	3V3
29	SD	3V3
30	SD	3V3
31	SD	3V3
32	SD	3V3
33	SD	3V3
34	SD	3V3
35	SD	3V3
36	SD	3V3
37	SD	3V3
38	SD	3V3
39	SD	3V3
40	SD	3V3
41	GND	
42	GND	
43	GND	
44	GND	
45	GND	
46	GND	
47	GND	
48	GND	
49	GND	
50	GND	
51	GND	
52	GND	
53	GND	
54	GND	
55	GND	
56	GND	
57	GND	
58	GND	
59	GND	
60	GND	
61	GND	
62	GND	
63	GND	
64	GND	
65	GND	
66	GND	
67	GND	
68	GND	
69	GND	
70	GND	
71	GND	
72	GND	
73	GND	
74	GND	
75	GND	
76	GND	
77	GND	
78	GND	
79	GND	
80	GND	
81	GND	
82	GND	
83	GND	
84	GND	
85	GND	
86	GND	
87	GND	
88	GND	
89	GND	
90	GND	
91	GND	
92	GND	
93	GND	
94	GND	
95	GND	
96	GND	
97	GND	
98	GND	
99	GND	
100	GND	

PIN	FUNCTION	CONNECT
1	VIN	3V3
2	GND	
3	TX	3V3
4	RX	3V3
5	SDA	3V3
6	SCL	3V3
7	TXD0	3V3
8	RXD0	3V3
9	TXD1	3V3
10	RXD1	3V3
11	SD	3V3
12	SD	3V3
13	SD	3V3
14	SD	3V3
15	SD	3V3
16	SD	3V3
17	SD	3V3
18	SD	3V3
19	SD	3V3
20	SD	3V3
21	SD	3V3
22	SD	3V3
23	SD	3V3
24	SD	3V3
25	SD	3V3
26	SD	3V3
27	SD	3V3
28	SD	3V3
29	SD	3V3
30	SD	3V3
31	SD	3V3
32	SD	3V3
33	SD	3V3
34	SD	3V3
35	SD	3V3
36	SD	3V3
37	SD	3V3
38	SD	3V3
39	SD	3V3
40	SD	3V3
41	GND	
42	GND	
43	GND	
44	GND	
45	GND	
46	GND	
47	GND	
48	GND	
49	GND	
50	GND	
51	GND	
52	GND	
53	GND	
54	GND	
55	GND	
56	GND	
57	GND	
58	GND	
59	GND	
60	GND	
61	GND	
62	GND	
63	GND	
64	GND	
65	GND	
66	GND	
67	GND	
68	GND	
69	GND	
70	GND	
71	GND	
72	GND	
73	GND	
74	GND	
75	GND	
76	GND	
77	GND	
78	GND	
79	GND	
80	GND	
81	GND	
82	GND	
83	GND	
84	GND	
85	GND	
86	GND	
87	GND	
88	GND	
89	GND	
90	GND	
91	GND	
92	GND	
93	GND	
94	GND	
95	GND	
96	GND	
97	GND	
98	GND	
99	GND	
100	GND	



DI/DO

ESP32-S3-Touch-LCD-4.3B

800×480 Pixels



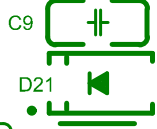
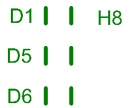
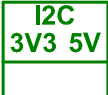
SD CARD



U9

SD1

USB



STRAPPING				
IO3	IO46	IO45	IO0	
R88	R90	R89	R87	1
R92	R94	R93	R91	0

BL GND



DONE



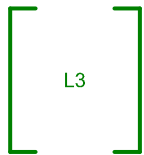
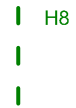
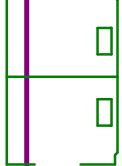
CHG



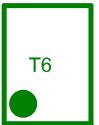
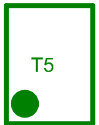
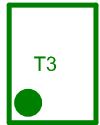
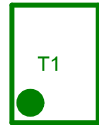
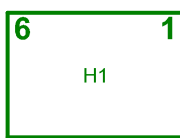
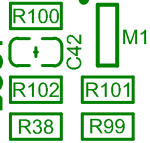
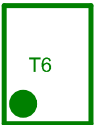
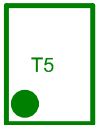
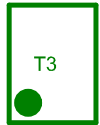
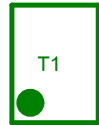
PWR



Type_C1



U1



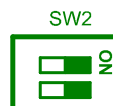
ON



OFF

Battery Switch

CAN RS-485



120R

P1

