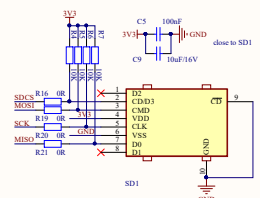
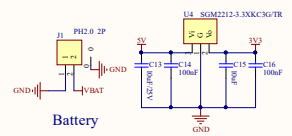


I/O Extensions

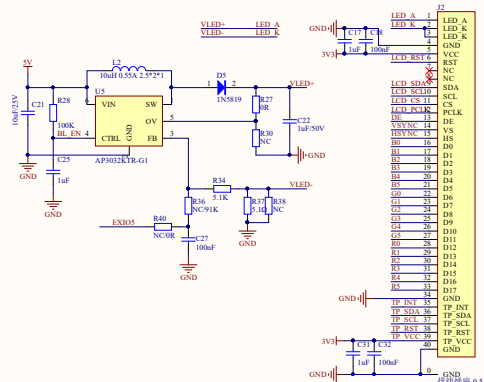
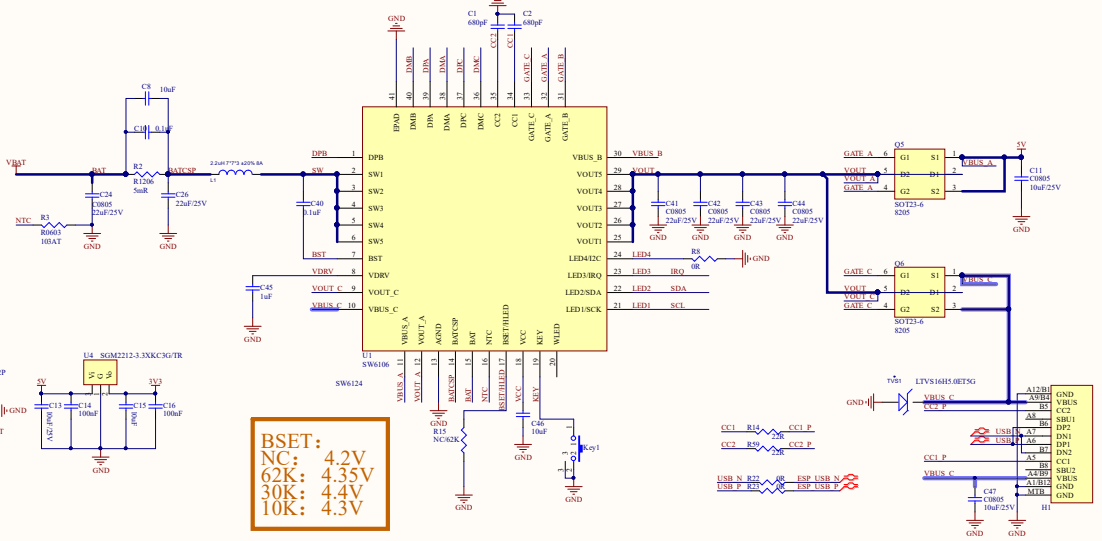


SD-CARD

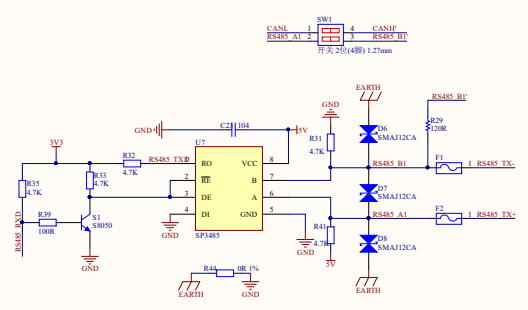


Battery

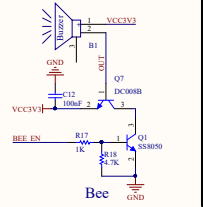
BSET:
 NC: 4.2V
 30K: 4.35V
 60K: 4.4V
 10K: 4.3V



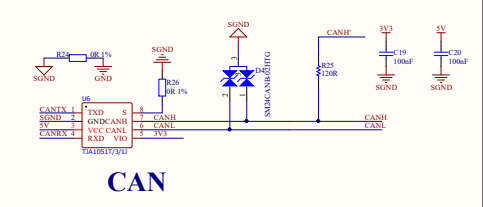
Touch LCD 4inch



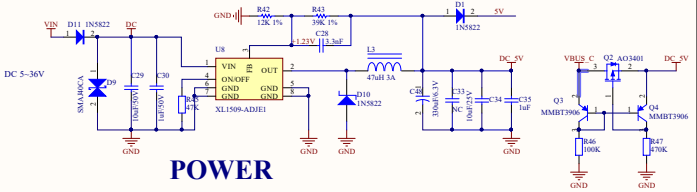
RS485



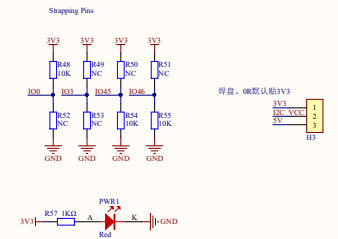
Bee



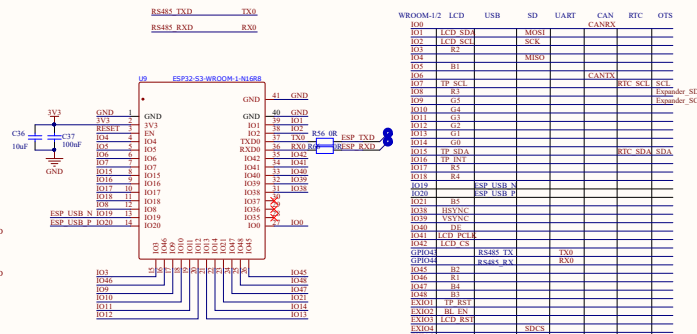
CAN



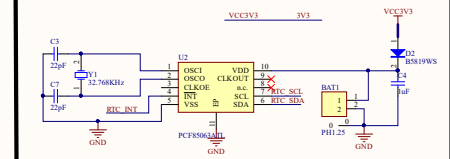
POWER



KEY



Interfence



RTC



ESP32-S3-Touch-LCD-4