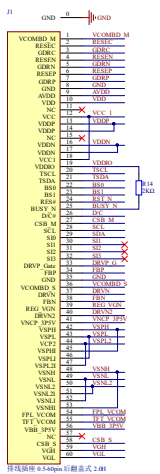
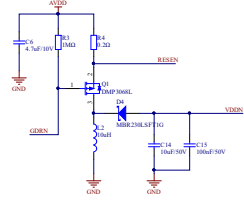


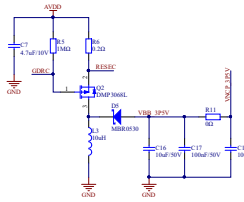
EPD_FPC



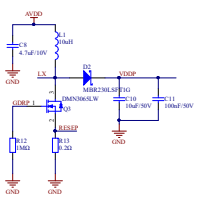
VDDN



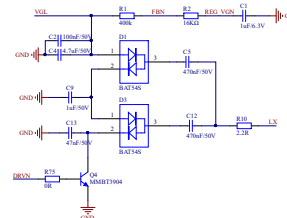
TFT_VCOM Power



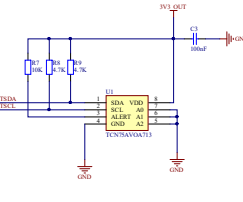
VDDP



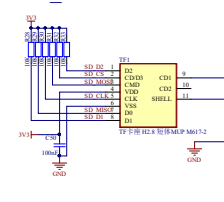
VGL(VGN)



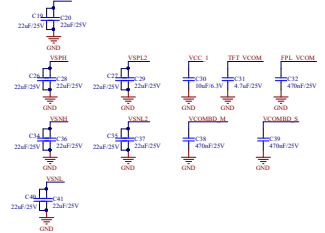
TCN75A



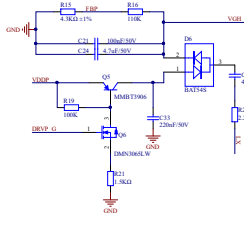
SD_card



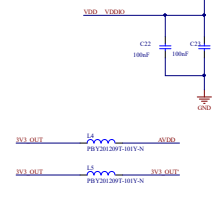
Capacitive Coupling



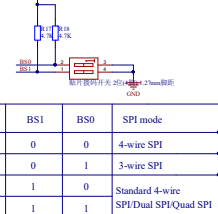
VGH(VGP)



Power

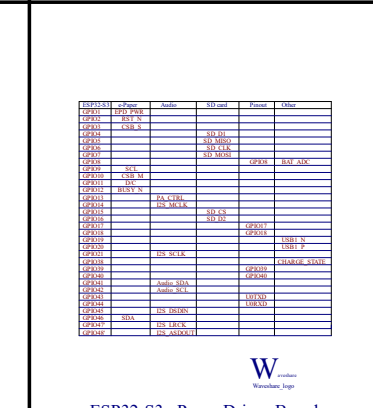
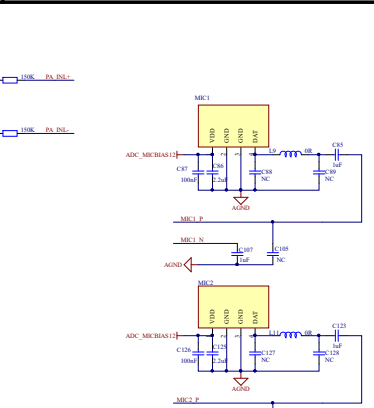
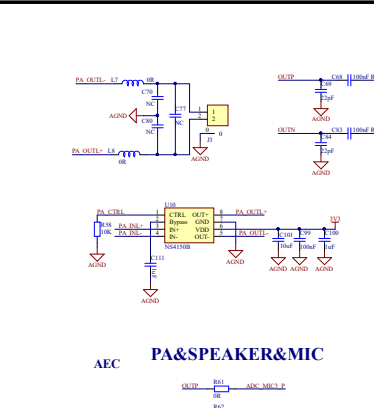
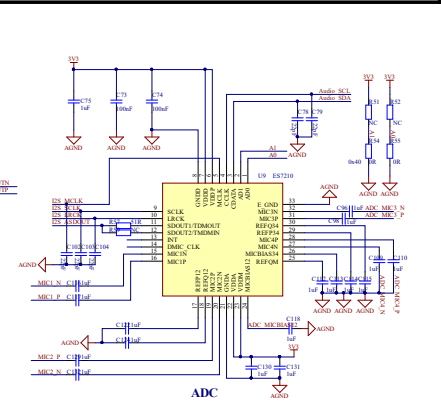
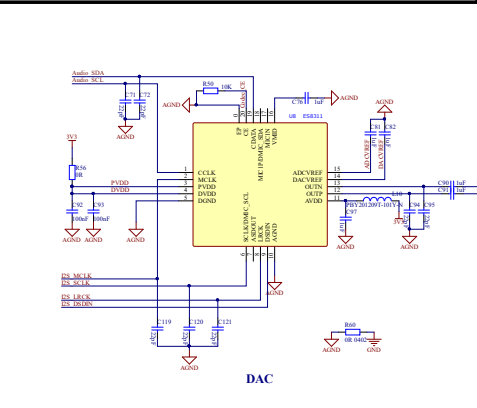
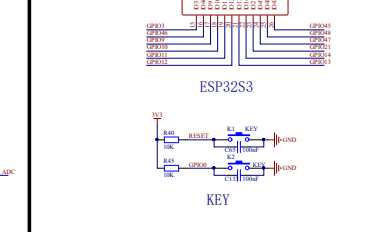
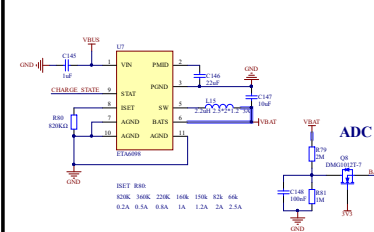
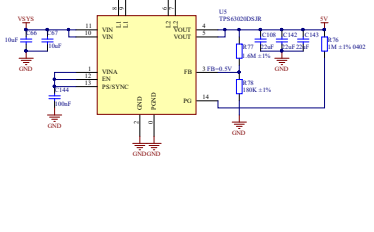
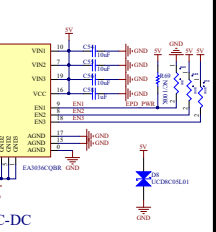
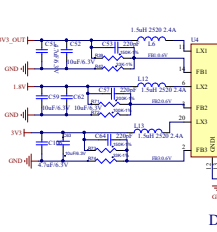
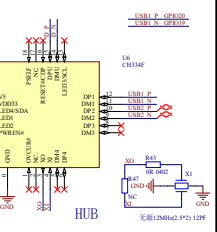
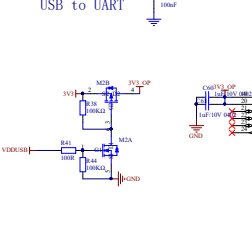
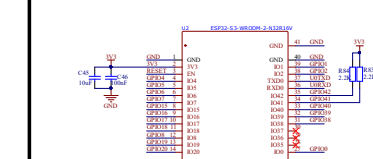
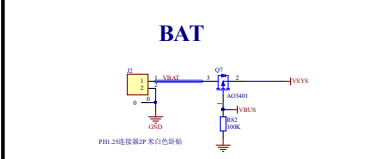
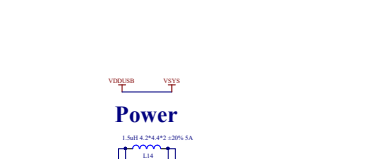
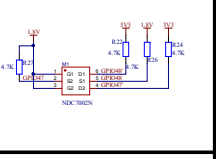
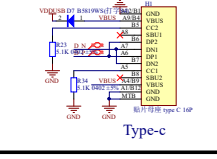
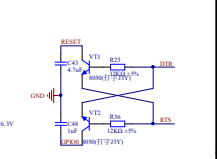
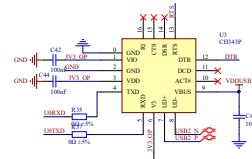


SPI Mode Selection



Type	BS1	BS0	SPI mode
1	0	0	4-wire SPI
2	0	1	3-wire SPI
3	1	0	Standard 4-wire SPI-Dual SPI/Quad SPI
4	1	1	

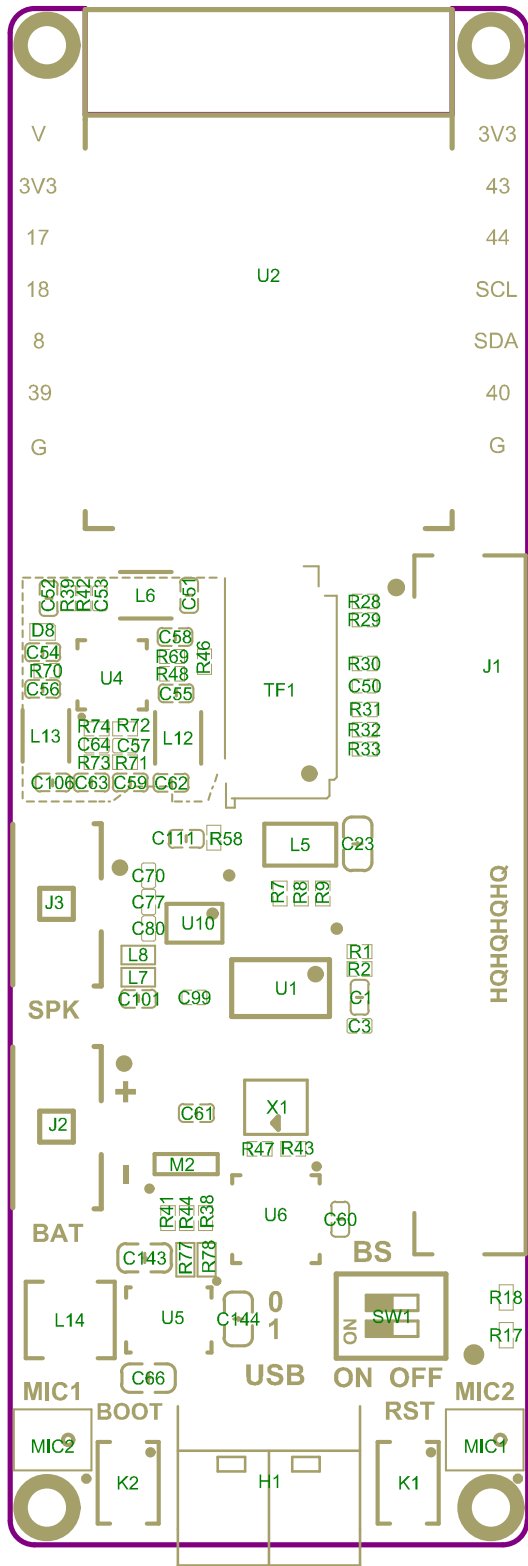
Pinout

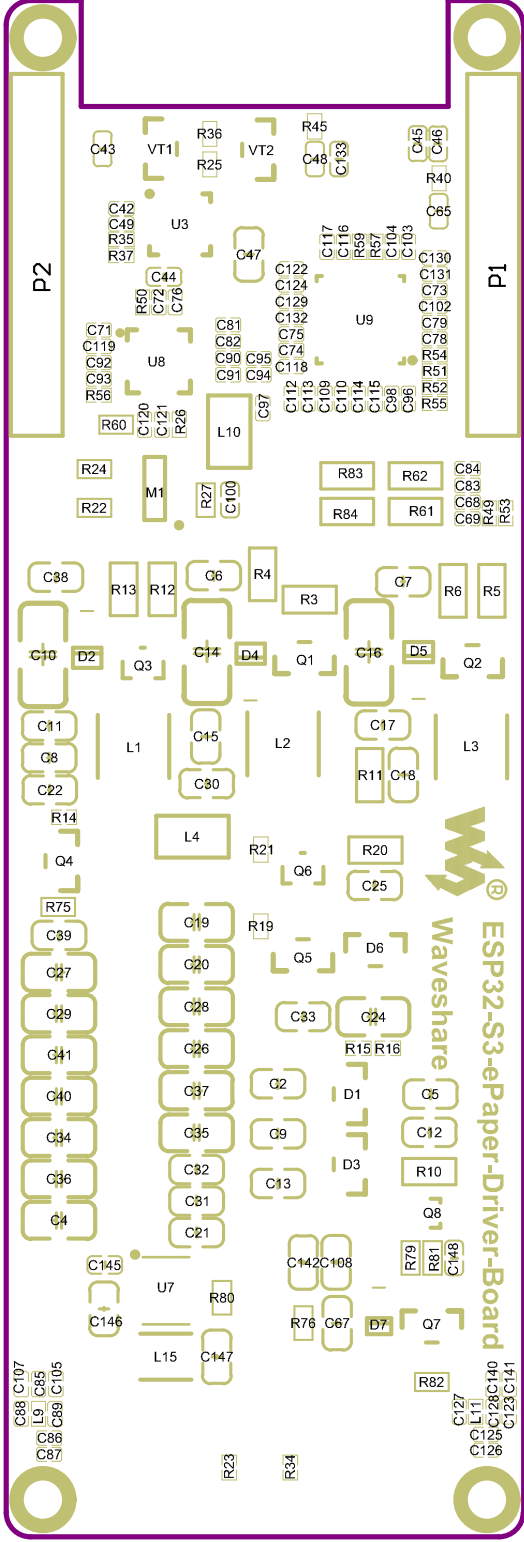


ESP32S3	Component	Label	Value	Notes
ESP32S3	GPIO0	EPD_WRP		
ESP32S3	GPIO1	BS_N		
ESP32S3	GPIO2	CSD_S		
ESP32S3	GPIO3	SD_IO		
ESP32S3	GPIO4	SD_CLK		
ESP32S3	GPIO5	SD_CS		
ESP32S3	GPIO6	SD_MISO		
ESP32S3	GPIO7	GPIO7		
ESP32S3	GPIO8	GPIO8		
ESP32S3	GPIO9	GPIO9		
ESP32S3	GPIO10	GPIO10		
ESP32S3	GPIO11	GPIO11		
ESP32S3	GPIO12	GPIO12		
ESP32S3	GPIO13	GPIO13		
ESP32S3	GPIO14	GPIO14		
ESP32S3	GPIO15	GPIO15		
ESP32S3	GPIO16	GPIO16		
ESP32S3	GPIO17	GPIO17		
ESP32S3	GPIO18	GPIO18		
ESP32S3	GPIO19	GPIO19		
ESP32S3	GPIO20	GPIO20		
ESP32S3	GPIO21	GPIO21		
ESP32S3	GPIO22	GPIO22		
ESP32S3	GPIO23	GPIO23		
ESP32S3	GPIO24	GPIO24		
ESP32S3	GPIO25	GPIO25		
ESP32S3	GPIO26	GPIO26		
ESP32S3	GPIO27	GPIO27		
ESP32S3	GPIO28	GPIO28		
ESP32S3	GPIO29	GPIO29		
ESP32S3	GPIO30	GPIO30		
ESP32S3	GPIO31	GPIO31		



ESP32-S3-ePaper-Driver-Board





C88 C107
L9 C65
C86 C89 C105
C87

R23

R34

Waveshare
ESP32-S3-ePaper-Driver-Board
C127
C125
C126
C128 C140
C123 C141



C127
C125
C126
C128 C140
C123 C141

R79 R81 C148
C142 C108
R76 Q67 D7 Q7
R82

Q8
R10
C12
Q5

D1 D3
Q2 Q9
C13

D6
Q5
R15 R16
C24

R20
C25
Q6

L2
R11 C18
C17

L3
Q2
D5
C16

Q1
D4
C14
Q3

R3
R4
Q6
R13 R12

R5
R6
Q7

R83 R62 C84
R84 R61 C83
C68 R29
C69 R33

C97
C112 C113
C109 C110
C114 C115
C98 C96

C118
C74 C75
C81 C82
C95 C94

C104 C103
C130 C131
C73 C102
C79 C78
R54 R51
R52 R55

C17 C16
R69 R67
C104 C103
C45 C46
C48 C33
R45 R40
C65

VT1 VT2
R36 R25
C42 C49
R35 R37
U3
C44 C47
C72 C76
R50 R50
C71 C119
C92 C93
C93 C91
R56

C43

P2

P1