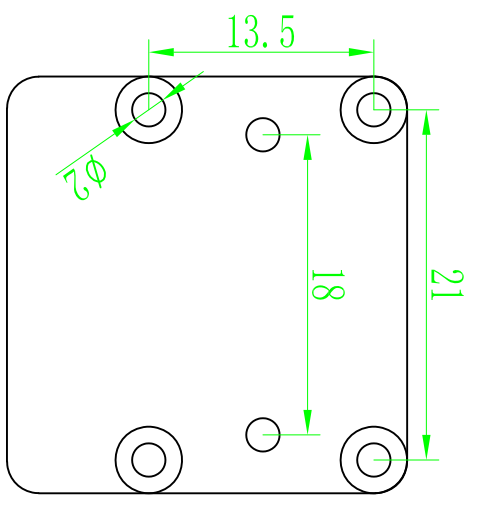
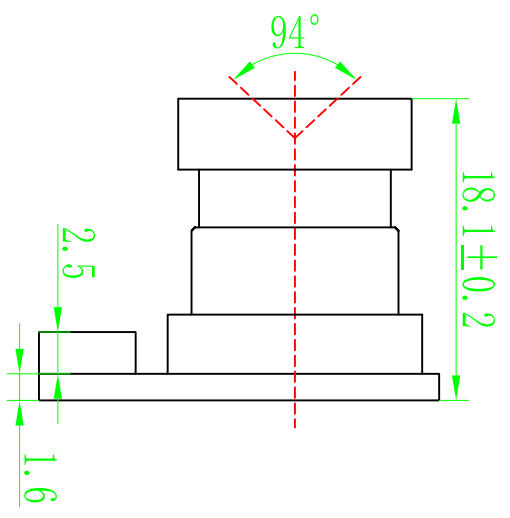
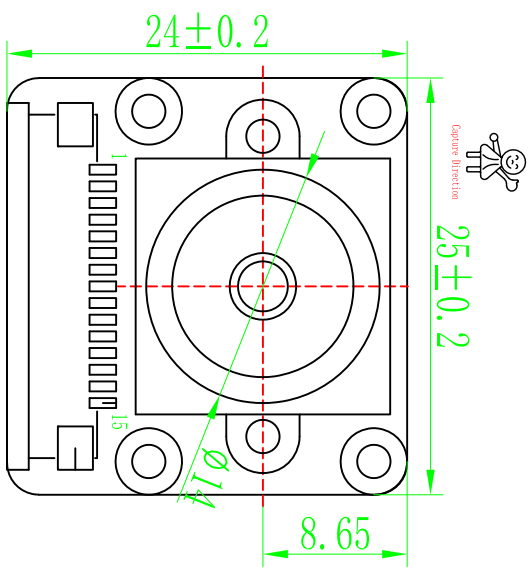


REV.	DATE	EC NO.	APP. BY

TOP VIEW

SIDE VIEW

BOTTOM VIEW



CONNECTOR 15PIN DESCRIPTION

NO.	SYMBOL
1	GND
2	MDN0
3	MDP0
4	GND
5	MDN1
6	MDP1
7	GND
8	MCN
9	MCP
10	GND
11	PWDN
12	GPIO
13	SIO-C
14	SIO-D
15	3.3V

Lens parameter	
焦距 (EFL)	2.88mm
光圈 (F. NO)	2.7
视场角 (View Angle)	H:86° V:56° D:94°
畸变 (Distortion)	< -0.3%
景深 (Focusing Range)	10cm - ∞
感光芯片 (Chip Type)	IMX290 SENSOR
像素 (Array Size)	1920X1080
镜头类型 (Lens Size)	1/2.8inch
数字电路电压 (DVDD)	NC
模拟电路电压 (AVDD)	NC
接口电路电压 (DOVDD)	NC
接口电路电压 (AF-VDD)	NC

* 未注公差为: ±0.1mm

深圳市微雪电子有限公司

TITLE :	IMX290 2MP Camera (A)	SCALE :	1:1
---------	-----------------------	---------	-----

MATERIAL :	TREATMENT :		
UNSPECIFIED TOL:	DWG. BY :	25 / 05 / 12	PROJECT NO. :
.MM ± 0.05	CHK. BY :	XING	DWG. NO. :
.MM ± 0.05	APP. BY :	/ /	CAD NO. :
.X ± 0.1			
∠ ± 0.5°			
ALL DIMENSION IN MM	REMOVE ALL BURRS BREAK SHARP EDGES	DO NOT SCALE	SHEET OF P1/1
			A4