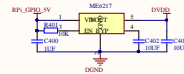
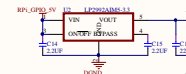


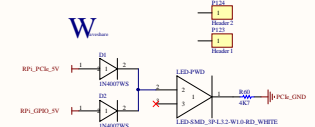
PCIe\_5V-TO-PCIe\_3V3



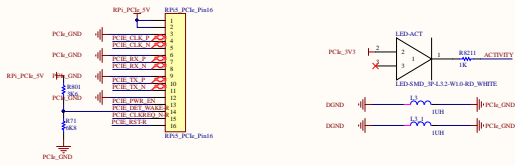
RPI\_5V-TO-DVDD



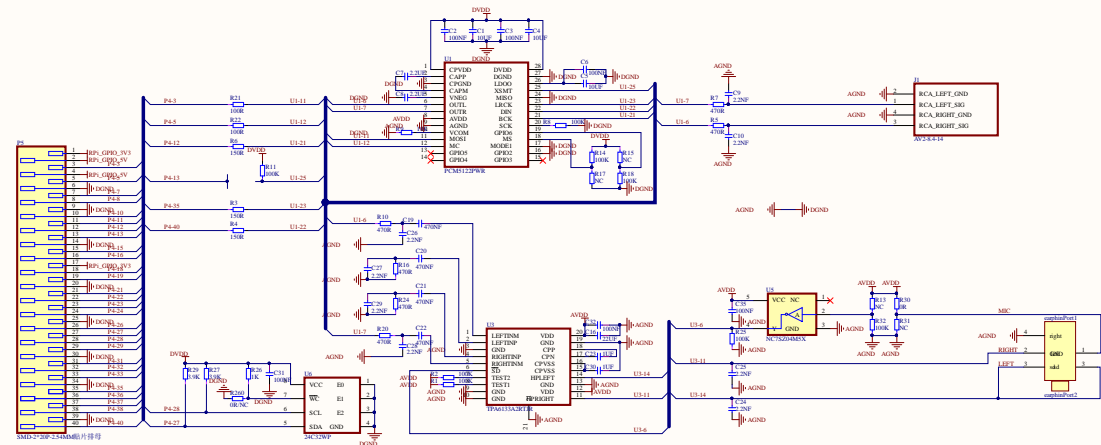
RPI\_5V-TO-AVDD



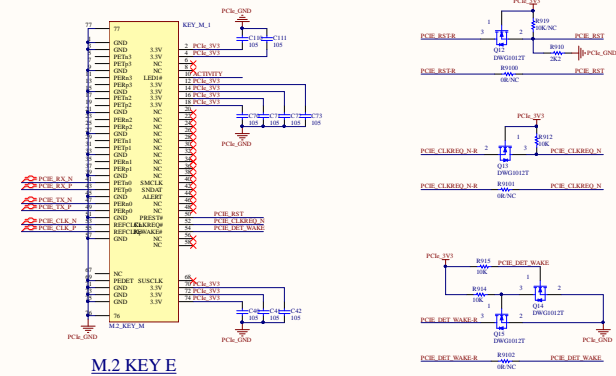
LOGO\_and\_PowerLED



PCIe\_16Pin



AUDIO-PCM5122-CODE\_C



PCIe\_TO\_M.2

Ver	Number	Revision
A1	202402	1
Doc	202402	1
File	WT-PCB122-AUDIO12V5-5Doc_12mm.B	