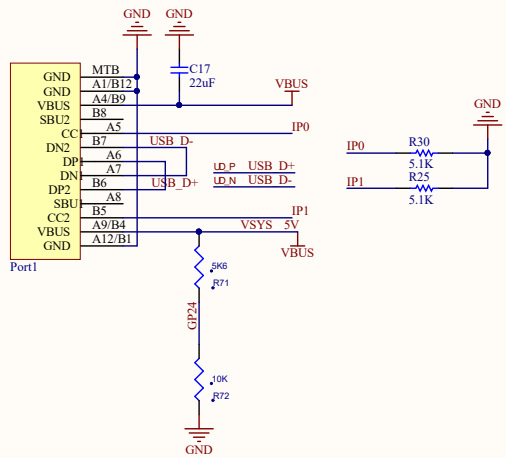
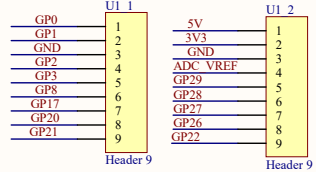


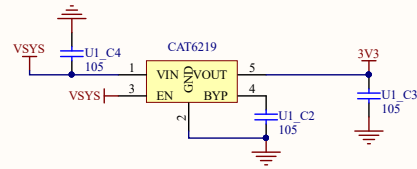
POWER



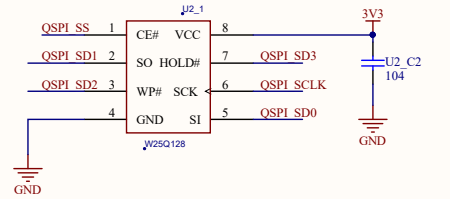
PINOUT



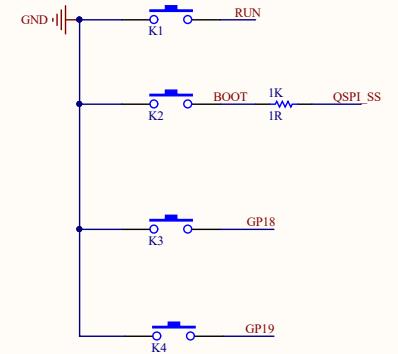
LDO



FLASH



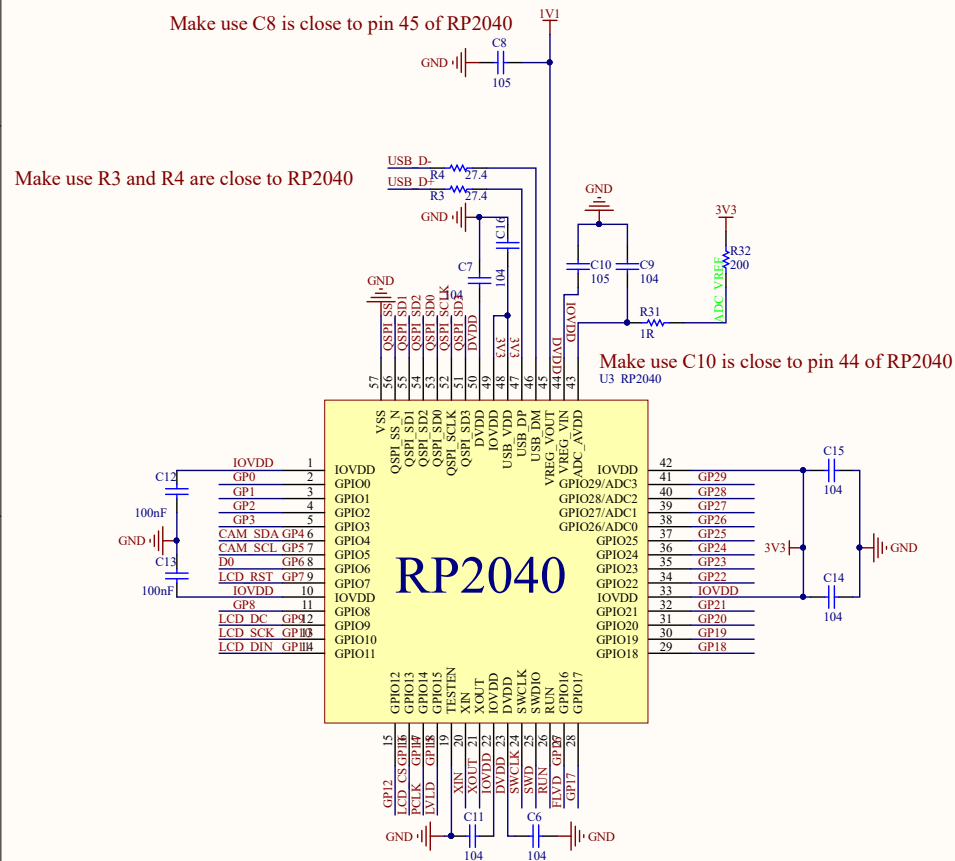
KEY



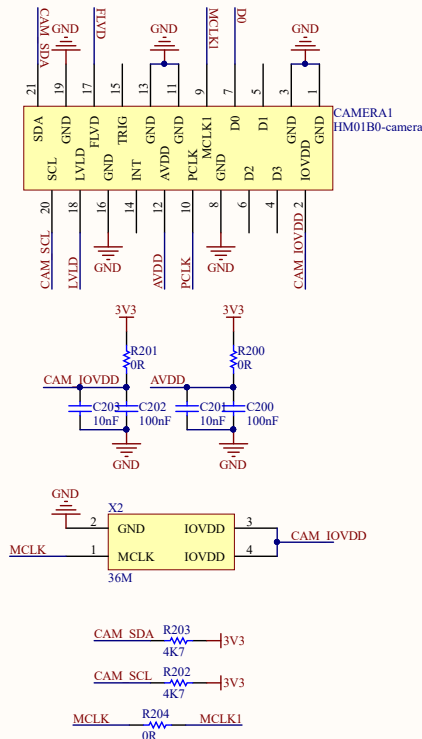
Make use C8 is close to pin 45 of RP2040

Make use R3 and R4 are close to RP2040

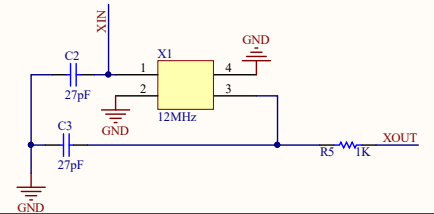
Make use C10 is close to pin 44 of RP2040



CAM



XTAL



LCD

