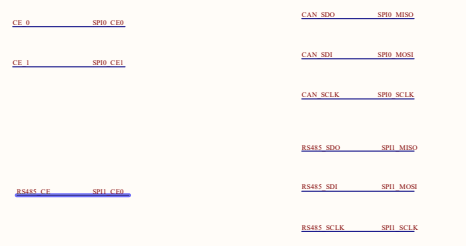
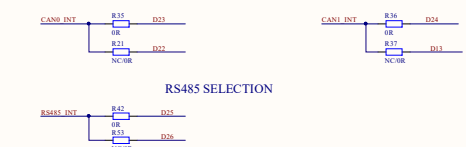


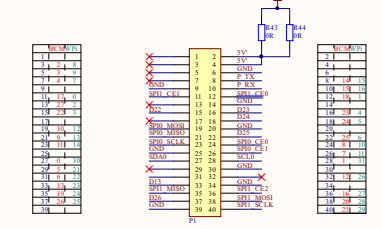
POWER



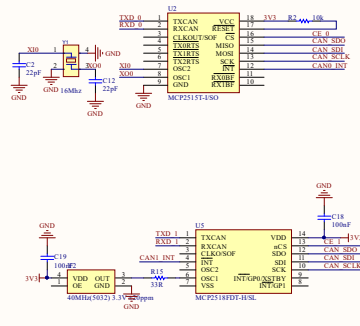
SPI SELECTION



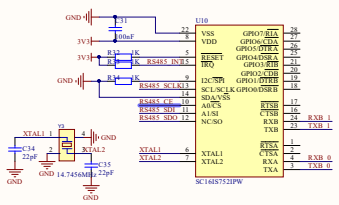
CAN SELECTION



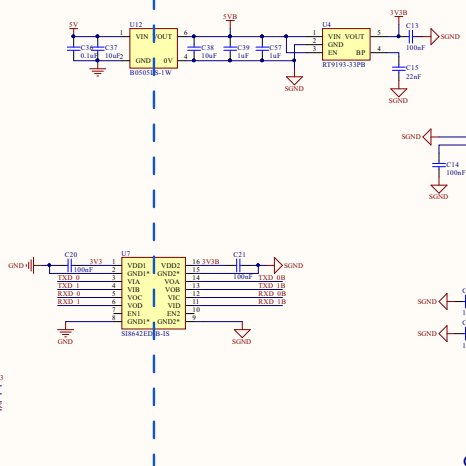
RS485 SELECTION



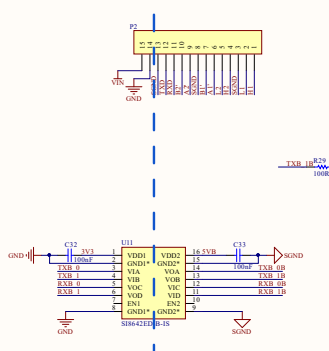
Serial Expansion



0X50

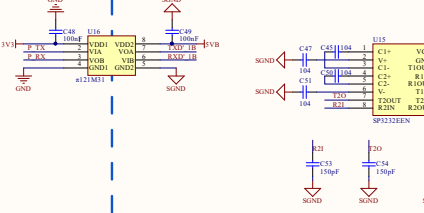


CAN Transceiver



RS485 Channel 2

RS485 Channel 1



RS232 Channel

Raspberry Pi Interface

RS485 RS232 CAN HAT+

