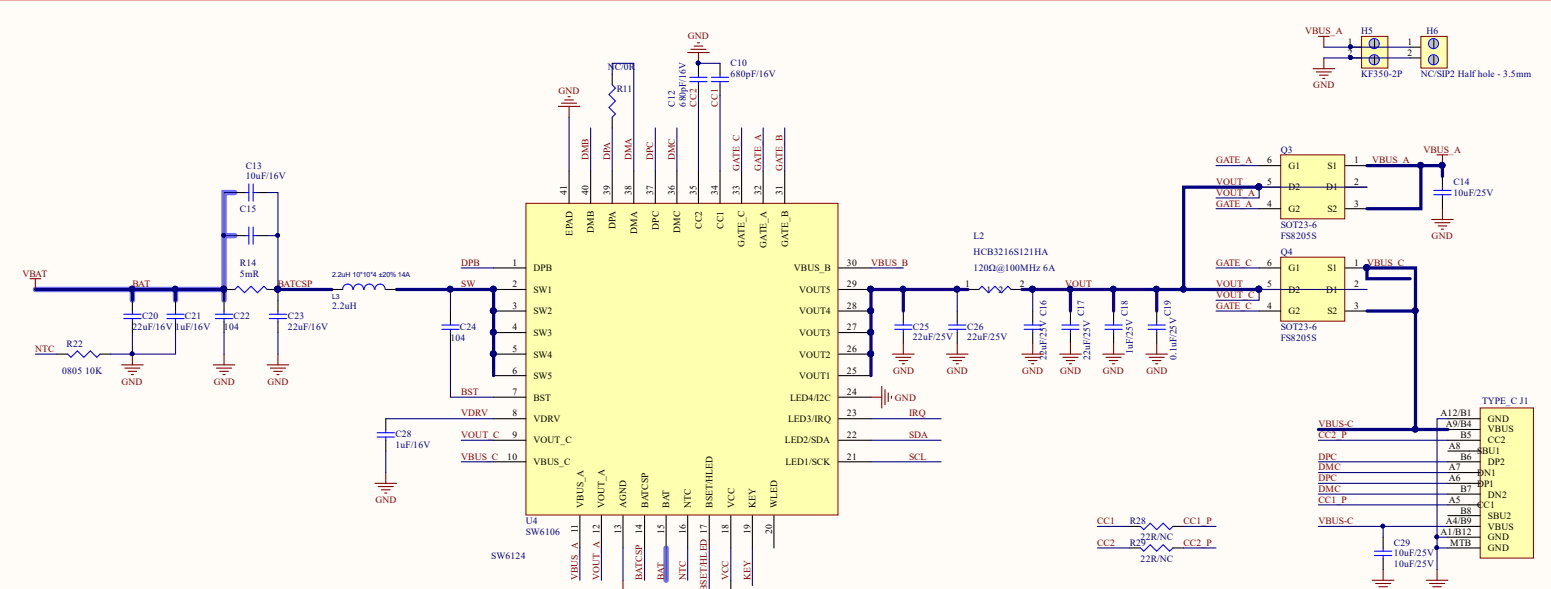
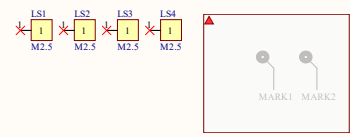
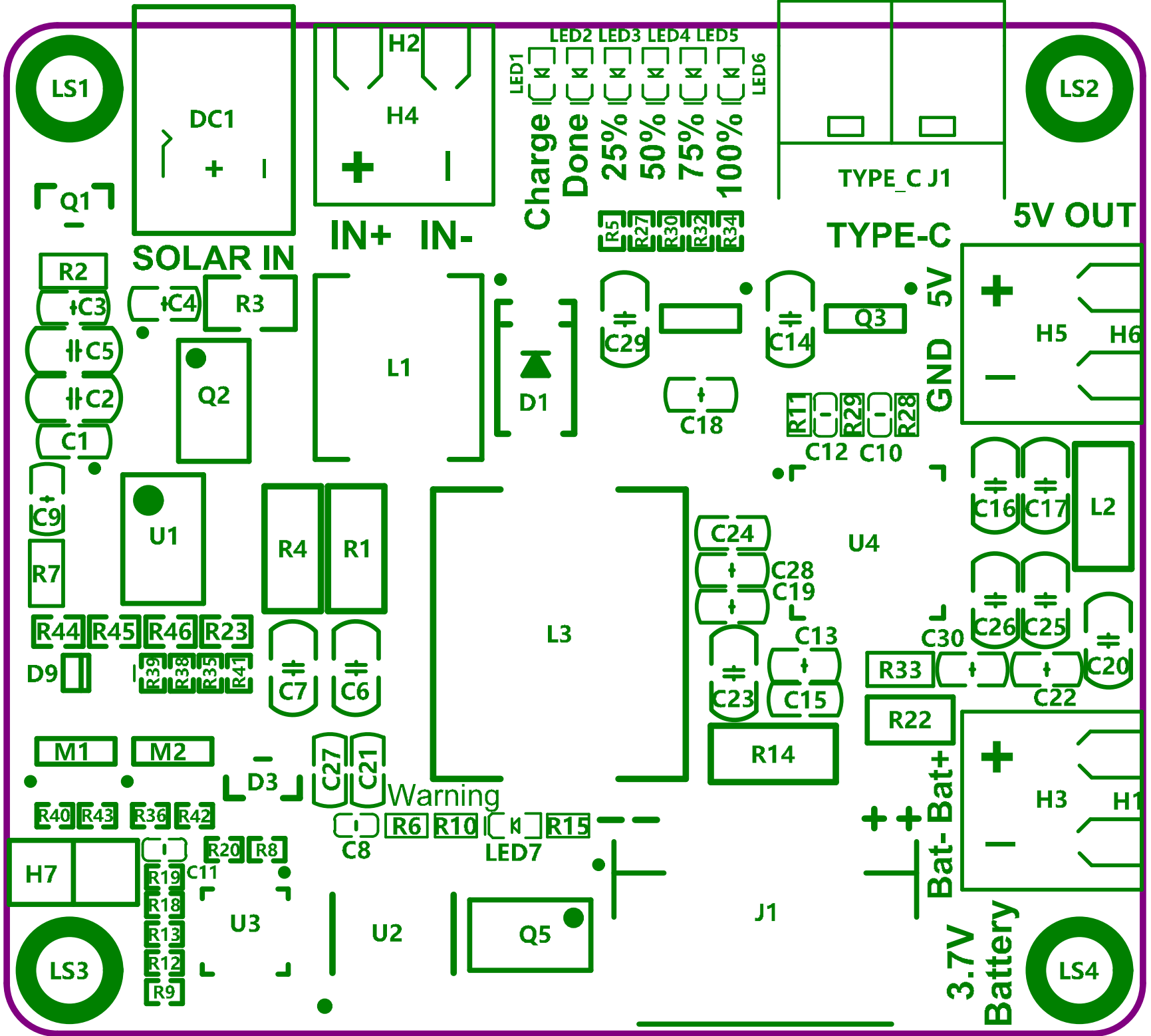


SOLAR PANEL INPUT



BSET:
 NC: 4.2V
 62K: 4.35V
 30K: 4.4V
 10K: 4.3V





Q1

R2

C3

C5

C2

C1

C9

R7

R44

R45

R46

R23

D9

M1

R40

R43

R36

R42

H7

R19

