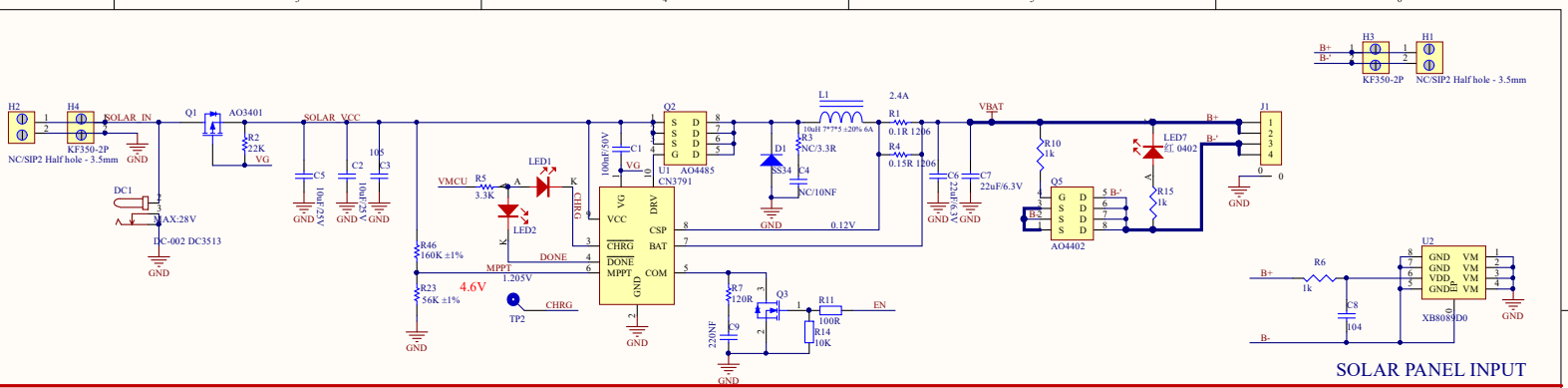
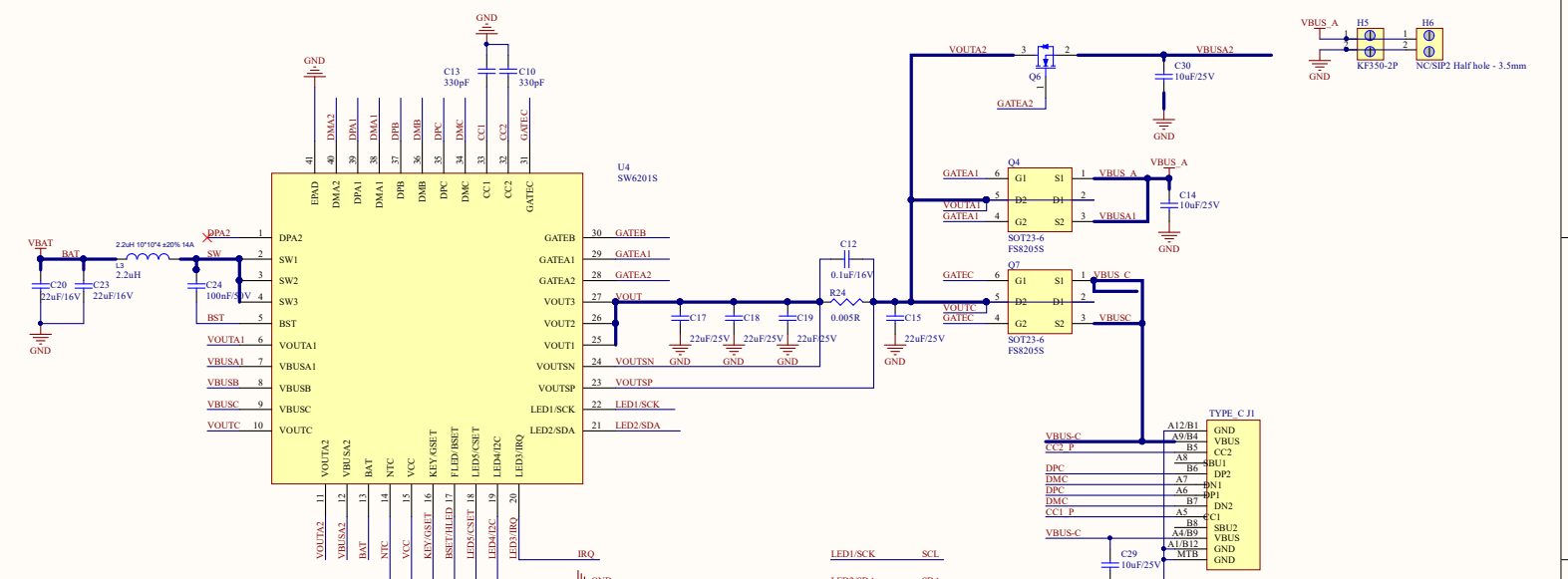


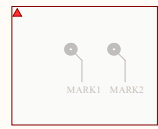
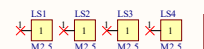
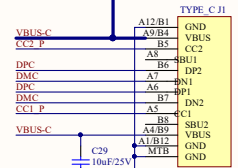
R17:  
 10K: 4.2V  
 15K: 4.35V  
 5.6K: 4.4V  
 3K : 4.5V

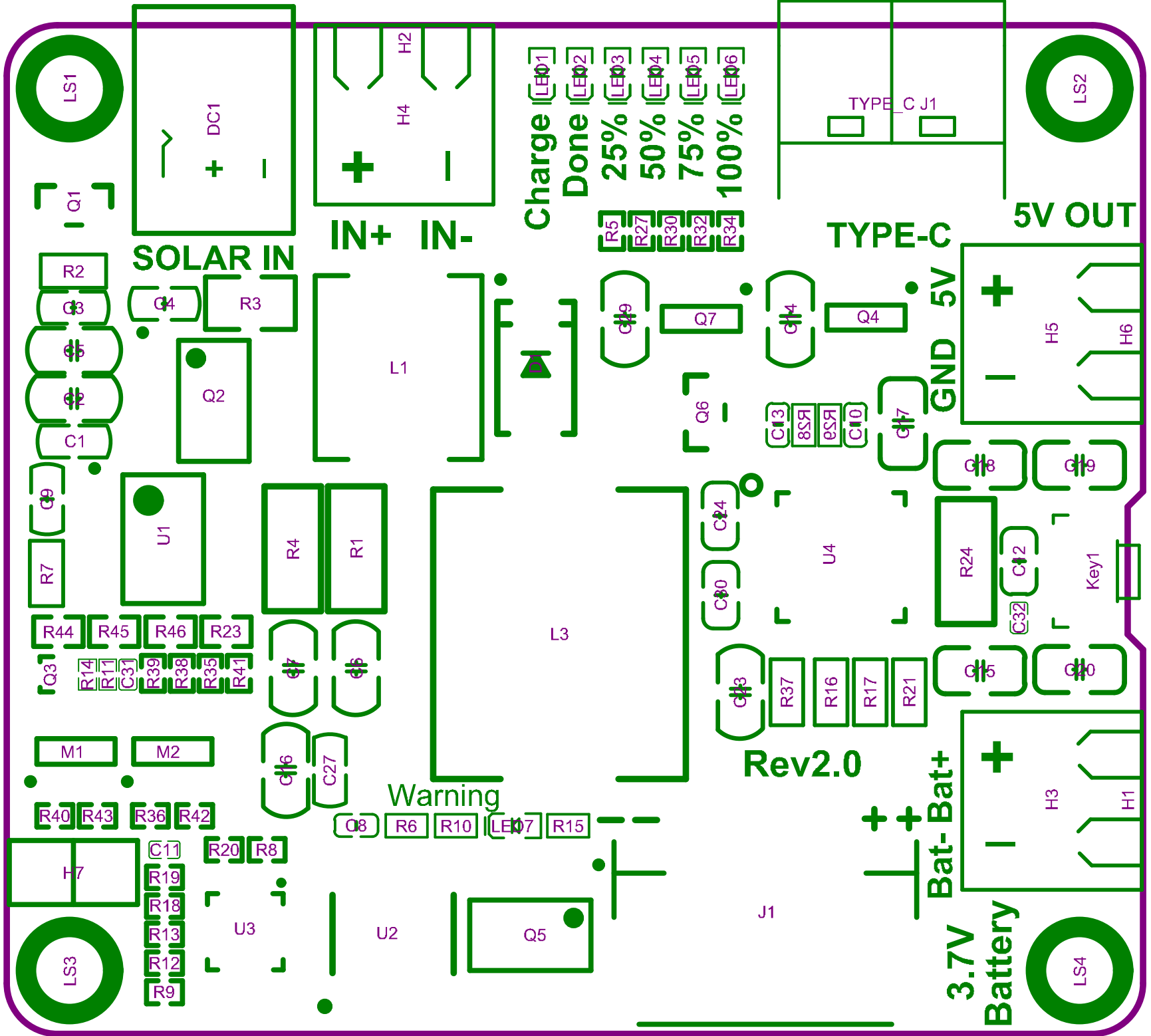


SOLAR PANEL INPUT



LED1\_SCK SCL  
 LED2\_SDA SDA  
 CC1 R28 CC1\_P  
 CC2 R30 CC2\_P





LS1

Q1

DC1

SOLAR IN

R2

C3

C2

C1

C9

R7

Q2

U1

R44

R45

R46

R23

Q3

R14

R11

C31

R39

R38

R35

R41

M1

M2

R40

R43

R36

R42

H7

C11

R20

R8

R19

R18

R13

R12

R9

U3

U2

Q5

Warning

Q8

R6

R10

LE07

R15

L1

L3

LE01

LE02

25%

50%

75%

100%

R5

R27

R30

R32

R34

C19

Q7

Q6

C13

85F

85F

C10

C14

Q4

C17

U4

C20

C24

C13

R37

R16

R17

R21

C18

C19

R24

C12

C32

Key1

Bat-Bat+

3.7V

Battery

H3

H1

H5

H6

TYPE-C

GND

5V

5V OUT

TYPE\_C J1

LS2

LS3

LS4

Rev2.0