

Raspberry Pi Pico 2 Datasheet

An RP2350-based
microcontroller board

Colophon

Copyright © 2023-2024 Raspberry Pi Ltd

The documentation of the RP2350 microcontroller is licensed under a Creative Commons [Attribution-NoDerivatives 4.0 International](#) (CC BY-ND).

build-date: 2024-08-21

build-version: 522d2d4-clean

About the SDK

Throughout the text "the SDK" refers to our [Raspberry Pi Pico SDK](#). More details about the SDK can be found in the [Raspberry Pi Pico-series C/C++ SDK](#) book. Source code included in the documentation is Copyright © 2023-2024 Raspberry Pi Ltd (formerly Raspberry Pi (Trading) Ltd.) and licensed under the [3-Clause BSD](#) license.

Legal disclaimer notice

TECHNICAL AND RELIABILITY DATA FOR RASPBERRY PI PRODUCTS (INCLUDING DATASHEETS) AS MODIFIED FROM TIME TO TIME ("RESOURCES") ARE PROVIDED BY RASPBERRY PI LTD ("RPL") "AS IS" AND ANY EXPRESS OR IMPLIED WARRANTIES, INCLUDING, BUT NOT LIMITED TO, THE IMPLIED WARRANTIES OF MERCHANTABILITY AND FITNESS FOR A PARTICULAR PURPOSE ARE DISCLAIMED. TO THE MAXIMUM EXTENT PERMITTED BY APPLICABLE LAW IN NO EVENT SHALL RPL BE LIABLE FOR ANY DIRECT, INDIRECT, INCIDENTAL, SPECIAL, EXEMPLARY, OR CONSEQUENTIAL DAMAGES (INCLUDING, BUT NOT LIMITED TO, PROCUREMENT OF SUBSTITUTE GOODS OR SERVICES; LOSS OF USE, DATA, OR PROFITS; OR BUSINESS INTERRUPTION) HOWEVER CAUSED AND ON ANY THEORY OF LIABILITY, WHETHER IN CONTRACT, STRICT LIABILITY, OR TORT (INCLUDING NEGLIGENCE OR OTHERWISE) ARISING IN ANY WAY OUT OF THE USE OF THE RESOURCES, EVEN IF ADVISED OF THE POSSIBILITY OF SUCH DAMAGE.

RPL reserves the right to make any enhancements, improvements, corrections or any other modifications to the RESOURCES or any products described in them at any time and without further notice.

The RESOURCES are intended for skilled users with suitable levels of design knowledge. Users are solely responsible for their selection and use of the RESOURCES and any application of the products described in them. User agrees to indemnify and hold RPL harmless against all liabilities, costs, damages or other losses arising out of their use of the RESOURCES.

RPL grants users permission to use the RESOURCES solely in conjunction with the Raspberry Pi products. All other use of the RESOURCES is prohibited. No licence is granted to any other RPL or other third party intellectual property right.

HIGH RISK ACTIVITIES. Raspberry Pi products are not designed, manufactured or intended for use in hazardous environments requiring fail safe performance, such as in the operation of nuclear facilities, aircraft navigation or communication systems, air traffic control, weapons systems or safety-critical applications (including life support systems and other medical devices), in which the failure of the products could lead directly to death, personal injury or severe physical or environmental damage ("High Risk Activities"). RPL specifically disclaims any express or implied warranty of fitness for High Risk Activities and accepts no liability for use or inclusions of Raspberry Pi products in High Risk Activities.

Raspberry Pi products are provided subject to RPL's [Standard Terms](#). RPL's provision of the RESOURCES does not expand or otherwise modify RPL's [Standard Terms](#) including but not limited to the disclaimers and warranties expressed in them.

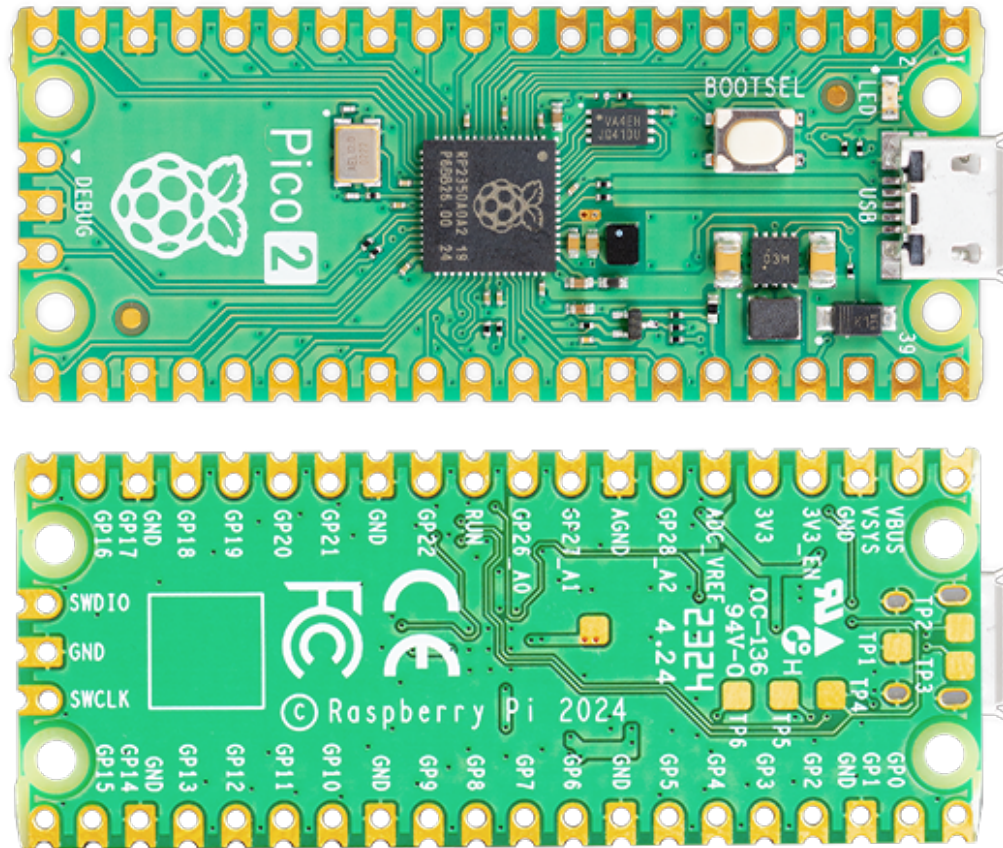
Table of contents

Colophon	1
Legal disclaimer notice	1
1. About Raspberry Pi Pico 2	3
1.1. Raspberry Pi Pico 2 design files	5
2. Differences from Raspberry Pi Pico	6
3. Mechanical specification	7
3.1. Raspberry Pi Pico 2 pinout	7
3.2. Surface-mount footprint	9
3.3. Recommended operating conditions	11
4. Electrical specification	13
4.1. Power consumption	13
4.1.1. Low Power States	13
4.1.2. Typical Use Cases	13
5. Applications information	15
5.1. Programming the flash	15
5.2. General purpose I/O	15
5.3. Using the ADC	15
5.4. Powerchain	16
5.5. Powering Pico 2	17
5.6. Using a battery charger	18
5.7. USB	19
5.8. Debugging	19
Appendix A: Availability	20
Support	20
Ordering code	20
Appendix B: Pico 2 schematic	21
Appendix C: Pico 2 component locations	24
Appendix H: Documentation Release History	25
August 8 2024	25

Chapter 1. About Raspberry Pi Pico 2

Raspberry Pi Pico 2 is a microcontroller board based on the Raspberry Pi RP2350 microcontroller chip.

Figure 1. Both sides of the Raspberry Pi Pico 2 board.



Raspberry Pi Pico 2 has been designed to be a low cost yet flexible development platform for RP2350, with the following key features:

- RP2350A microcontroller with 4 MB flash
- Micro-USB B port for power and data (and for reprogramming the flash)
- 40 pin 21×51 'DIP' style 1mm thick PCB with 0.1" through-hole pins also with edge castellations
 - Exposes 26 multi-function 3.3 V General Purpose I/O (GPIO), 3 can be used for ADC
 - Can be surface mounted as a module
- 3-pin ARM Serial Wire Debug (SWD) port
- Simple yet highly flexible power supply architecture
 - Various options for easily powering the unit from micro-USB, external supplies or batteries
- High quality, low cost, high availability
- Comprehensive SDK, software examples and documentation

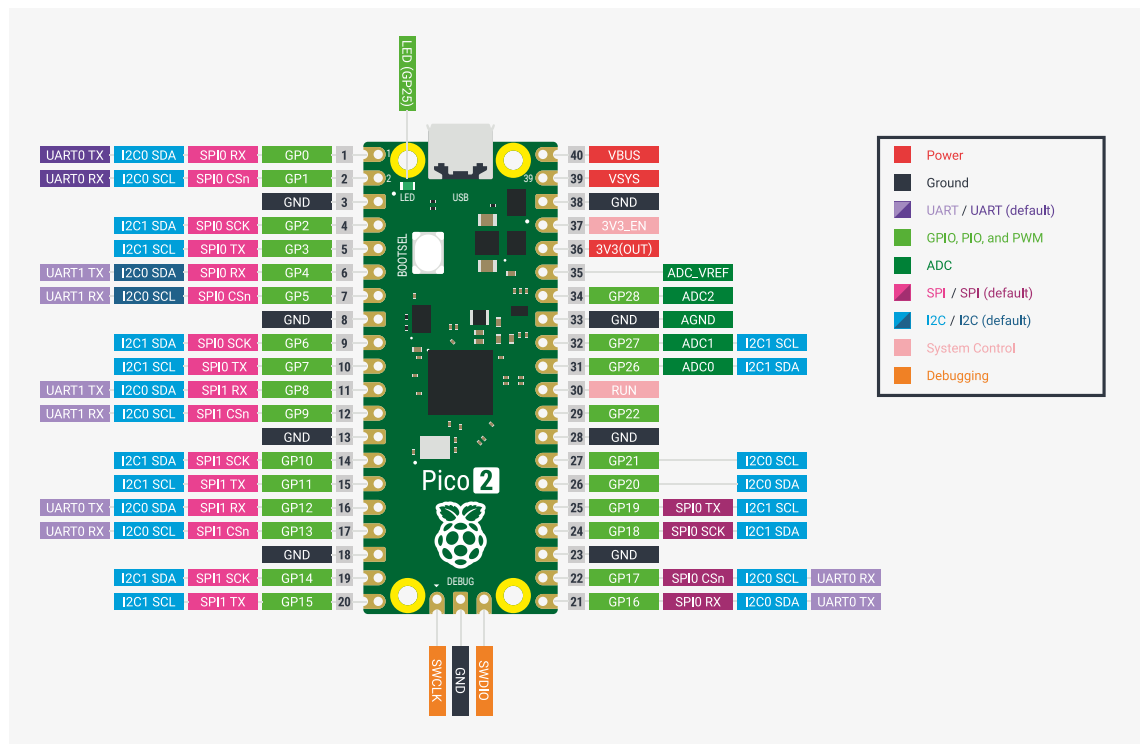
For full details of the RP2350A microcontroller, see the [RP2350 Datasheet](#). The headline features are:

- Dual Cortex-M33 or Hazard3 processors at up to 150MHz
 - On-chip PLL allows variable core frequency
- 520 kB multi-bank high performance SRAM
- External Quad-SPI flash with eExecute In Place (XIP) and 16 kB on-chip cache
- High performance full-crossbar bus fabric
- On-board USB1.1 (device or host)
- 30 multi-function GPIO pins (4 can be used for ADC)
 - 1.8-3.3 V IO Voltage (**NOTE** Pico 2 IO voltage is fixed at 3.3 V)
- 12-bit 500ksps Analogue to Digital Converter (ADC)
- Various digital peripherals
 - 2× UART, 2× I2C, 2× SPI, 24× PWM channels
 - 2× Timer with 4 alarms, 1× AON Timer
- 3× Programmable IO (PIO) blocks, 12 state machines total
 - Flexible, user-programmable high-speed IO
 - Can emulate interfaces such as SD Card and VGA

Pico 2 provides minimal (yet flexible) external circuitry to support the RP2350 chip: flash (Winbond W25Q32RV), crystal (Abracon ABM8-272-T3), power supplies and decoupling, and USB connector. The majority of the RP2350 microcontroller pins are brought to the user IO pins on the left and right edge of the board. Four RP2350 IO are used for internal functions - driving an LED, on-board Switched Mode Power Supply (SMPS) power control and sensing the system voltages.

Pico 2 has been designed to use either soldered 0.1" pin-headers (it is one 0.1" pitch wider than a standard 40-pin DIP package) or can be used as a surface mountable 'module', as the user IO pins are also castellated. There are SMT pads underneath the USB connector and BOOTSEL button, which allow these signals to be accessed if used as a reflow-soldered SMT module.

Figure 2. The pinout of the Raspberry Pi Pico 2 board



Pico 2 uses an on-board buck-boost SMPS which is able to generate the required 3.3 V (to power RP2350 and external circuitry) from a wide range of input voltages (1.8 to 5.5 V). This allows significant flexibility in powering the unit from various sources such as a single Lithium-ion cell, or 3× AA cells in series. Battery chargers can also be very easily integrated with the Pico 2 powerchain.

Reprogramming the Pico 2 flash can be done using USB (simply drag and drop a file onto the Pico 2 which appears as a mass storage device), or the standard Serial Wire Debug (SWD) port can reset the system and load and run code without any button presses. The SWD port can also be used to interactively debug code running on the RP2350.

 **TIP**

[Getting started with Raspberry Pi Pico-series](#) walks through loading programs onto the board, and shows how to install the C/C++ SDK and build the example C programs. See the [Raspberry Pi Pico-series Python SDK](#) book to get started with MicroPython, which is the fastest way to get code running on Pico 2.

1.1. Raspberry Pi Pico 2 design files

The source design files, including the schematic and PCB layout, are made available openly, with no limitations.

- Schematic** The full schematic is reproduced in [Appendix B](#). The schematic is also distributed alongside the layout files [here](#).
- Layout** The full CAD files, including PCB layout, can be found [here](#). Note that Raspberry Pi Pico 2 was designed in Cadence Allegro PCB Editor, and opening in other PCB CAD packages requires an import script or plugin.
- STEP 3D** A STEP 3D model of Raspberry Pi Pico 2, for 3D visualisation and fit check of designs which include Raspberry Pi Pico 2 as a module, can be found [here](#).
- Fritzing** A Fritzing part for use in e.g. breadboard layouts can be found [here](#).

Permission to use, copy, modify, and/or distribute this design for any purpose with or without fee is hereby granted.

THE DESIGN IS PROVIDED "AS IS" AND THE AUTHOR DISCLAIMS ALL WARRANTIES WITH REGARD TO THIS DESIGN INCLUDING ALL IMPLIED WARRANTIES OF MERCHANTABILITY AND FITNESS. IN NO EVENT SHALL THE AUTHOR BE LIABLE FOR ANY SPECIAL, DIRECT, INDIRECT, OR CONSEQUENTIAL DAMAGES OR ANY DAMAGES WHATSOEVER RESULTING FROM LOSS OF USE, DATA OR PROFITS, WHETHER IN AN ACTION OF CONTRACT, NEGLIGENCE OR OTHER TORTIOUS ACTION, ARISING OUT OF OR IN CONNECTION WITH THE USE OR PERFORMANCE OF THIS DESIGN.

 **TIP**

The [Hardware design with RP2350](#) book walks through designing a minimal RP2350-based 2-layer board (KiCad files [here](#)).

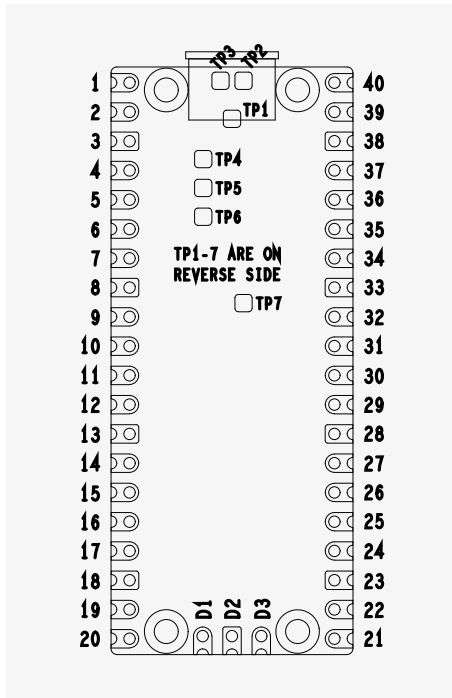
Chapter 2. Differences from Raspberry Pi Pico

Pico 2 improves in the following ways from the original Raspberry Pi Pico board:

- double the on-board flash (2 MB → 4 MB)
- an upgrade from RP2040 to RP2350, which includes the following improvements:
 - higher core clock speed (133MHz → 150MHz)
 - double the on-chip SRAM (264 kB → 520 kB)
 - more powerful Arm cores (Dual-core cortex M0+ → Dual Cortex-M33)
 - RISC-V cores (none → Hazard3)
 - new security features, including Arm TrustZone for Cortex-M, signed boot, 8 kB of antifuse OTP for key storage, SHA-256 acceleration, a hardware TRNG, and fast glitch detectors
 - upgraded interfacing capabilities, increasing from 2 PIO blocks (8 state machines total), to 3 PIO blocks (12 state machines total)

For more information, see [RP2350 Datasheet](#).

Figure 4. The pin numbering of the Raspberry Pi Pico 2 board.



i NOTE

The physical pin numbering is shown in [Figure 4](#), for the pin allocation see [Figure 2](#) or the full Raspberry Pi Pico 2 schematics in [Appendix B](#).

A few RP2350 GPIO pins are used for internal board functions, these are:

- GPIO29** IP Used in ADC mode (ADC3) to measure VSYS/3
- GPIO25** OP Connected to user LED
- GPIO24** IP VBUS sense - high if VBUS is present, else low
- GPIO23** OP Controls the on-board SMPS Power Save pin ([Section 5.4](#))

Apart from GPIO and ground pins, there are 7 other pins on the main 40-pin interface:

- PIN40** VBUS
- PIN39** VSYS
- PIN37** 3V3_EN
- PIN36** 3V3
- PIN35** ADC_VREF
- PIN33** AGND
- PIN30** RUN

VBUS is the micro-USB input voltage, connected to micro-USB port pin 1. This is nominally 5V (or 0V if the USB is not connected or not powered).

VSYS is the main system input voltage, which can vary in the allowed range 1.8V to 5.5V, and is used by the on-board SMPS to generate the 3.3V for the RP2350 and its GPIO.

3V3_EN connects to the on-board SMPS enable pin, and is pulled high (to VSYS) via a 100kΩ resistor. To disable the 3.3V (which also de-powers the RP2350), short this pin low.

3V3 is the main 3.3V supply to RP2350 and its I/O, generated by the on-board SMPS. This pin can be used to power external circuitry (maximum output current will depend on RP2350 load and VSYS voltage, it is recommended to keep

the load on this pin less than 300mA).

ADC_VREF is the ADC power supply (and reference) voltage, and is generated on Pico 2 by filtering the 3.3V supply. This pin can be used with an external reference if better ADC performance is required.

AGND is the ground reference for GPIO26-29, there is a separate analog ground plane running under these signals and terminating at this pin. If the ADC is not used or ADC performance is not critical, this pin can be connected to digital ground.

RUN is the RP2350 enable pin, and has an internal (on-chip) pull-up resistor to 3.3V of about $\sim 50\text{k}\Omega$. To reset RP2350, short this pin low.

Finally, there are also 7 Test Points (TP1-TP7) which can be accessed if required, for example if using as a surface mount module. These are:

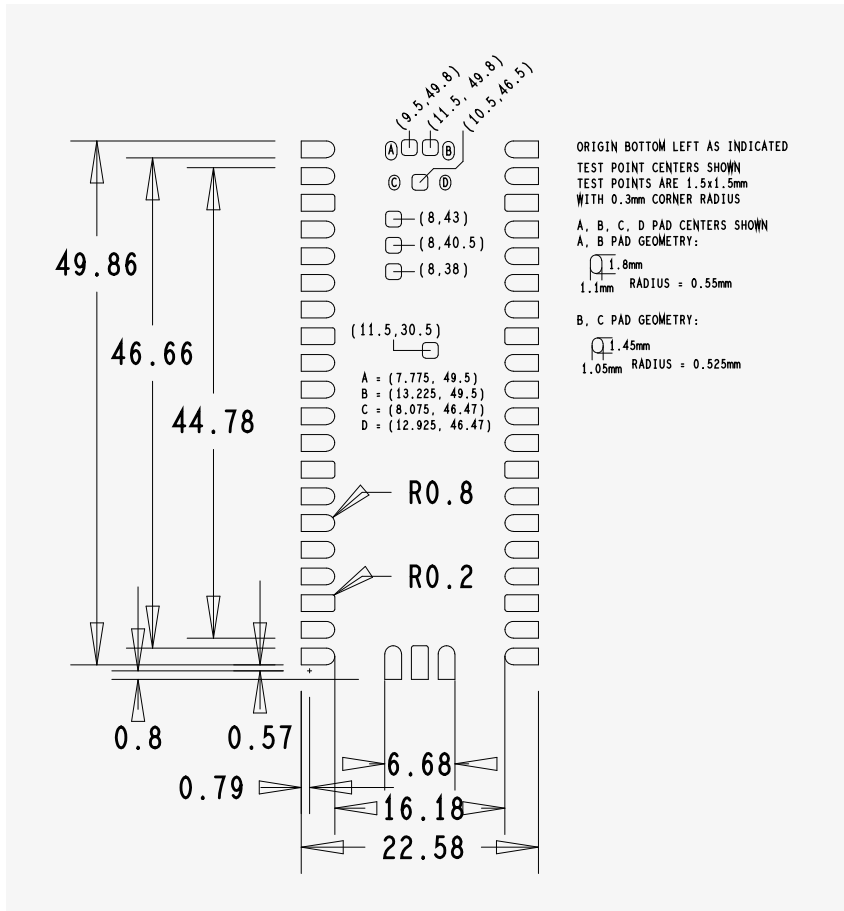
TP1	Ground (close coupled ground for differential USB signals)
TP2	USB DM
TP3	USB DP
TP4	GPIO23/SMPS PS pin (do not use)
TP5	GPIO25/LED (not recommended to be used)
TP6	BOOTSEL
TP7	1V1 (do not use)

TP1, TP2 and TP3 can be used to access the USB signals instead of using the micro-USB port. TP6 can be used to drive the system into mass-storage USB programming mode (by shorting it low at power-up). Note that TP4 and TP7 are not intended to be used externally, and TP5 is not really recommended to be used as it will only swing from 0V to the LED forward voltage (and hence can only really be used as an output with special care).

3.2. Surface-mount footprint

The following footprint ([Figure 5](#)) is recommended for systems which will be reflow-soldering Pico 2 units as modules.

Figure 5. The SMT footprint of the Raspberry Pi Pico 2 board.

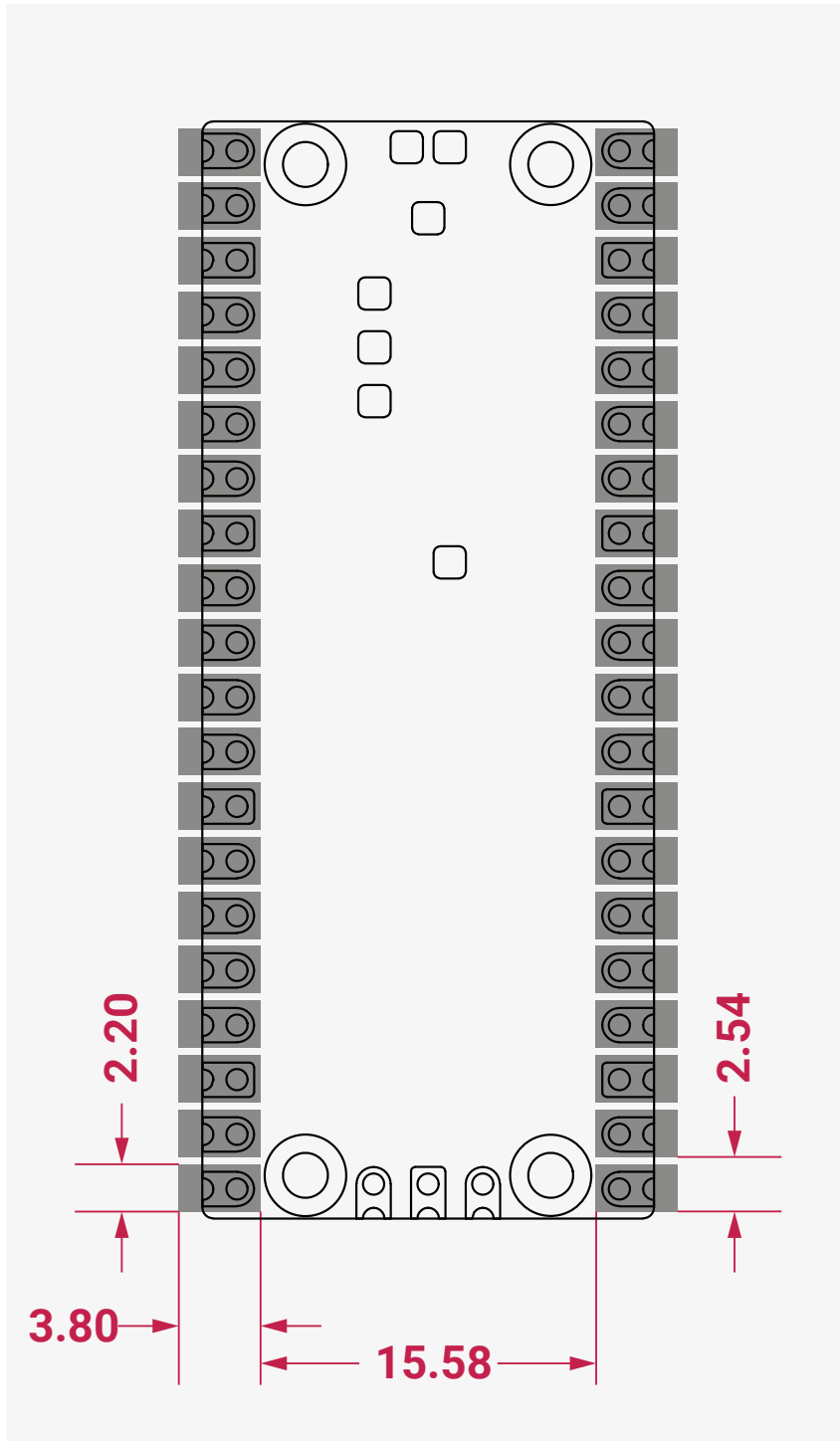


The footprint shows the test point locations and pad sizes as well as the 4 USB connector shell ground pads (A,B,C,D). The USB connector on Pico 2 is a through-hole part, which provides it with mechanical strength. The USB socket pins do not protrude all the way through the board, however solder does pool at these pads during manufacture and can stop the module sitting completely flat. Hence we provide pads on the SMT module footprint to allow this solder to reflow in a controlled manner when Pico 2 goes through reflow again.

For test points that are not used, it is acceptable to void any copper under these (with suitable clearance) on the carrier board.

Through trials with customers, we have determined that the paste stencil must be bigger than the footprint. Over-pasting the pads ensures the best possible results when soldering. The following paste stencil (Figure 6) indicates the dimensions of solder paste zones on the Pico 2. We recommend paste zones 163% larger than the footprint.

Figure 6. The paste stencil of the Raspberry Pi Pico 2 board.



3.3. Recommended operating conditions

Operating conditions for the Raspberry Pi Pico 2 are largely a function of the operating conditions specified by its components.

Operating Temp Max	85°C (including self-heating)
Operating Temp Min	-20°C
VBUS	5V ± 10%.

VSYS Min	1.8V
VSYS Max	5.5V

Note that VBUS and VSYS current will depend on use-case, some examples are given in the next section.

Recommended maximum ambient temperature of operation is 70°C.

Chapter 4. Electrical specification

4.1. Power consumption

The power consumption tables show the typical **VBUS** (5V) current consumption during RP2350's low power states, and also various software use cases. These numbers are not guaranteed maximum values; they are an indication of the current consumption a user can typically expect the device to draw when used in these scenarios.

For more detailed current consumption data, please see the [RP2350 Datasheet](#).

4.1.1. Low Power States

The following table details the typical power consumption in low power states P1.0 to P1.7, and also with RUN held low. All externally accessible GPIOs, SWD and SWCLK are unconnected. The RP2350's USB PHY has been powered down, and the DP and DM pull-downs enabled prior to entering the low power state. The USB cable remains connected to a host computer.

Table 1. Low Power States Power Consumption

Low Power State	VBUS current (μA)	Power (mW)
P1.0	233	1.16
P1.1	192	0.96
P1.2	194	0.97
P1.3	153	0.77
P1.4	226	1.13
P1.5	187	0.93
P1.6	188	0.94
P1.7	148	0.74
RUN low	388	1.9

4.1.2. Typical Use Cases

The following table shows the typical power consumption in various use cases. Again, all externally accessible GPIOs are unconnected, with the exception of GPIOs 0 and 1, which are connected to a Raspberry Pi Debug Probe. SWD and SWCLK are unconnected, and the USB cable remains connected to a host computer in all cases. Hello_serial, hello_usb and hello_adc are simple applications found in pico-examples where characters are being constantly transmitted to a serial console.

Table 2. Typical Use Case Power Consumption

Use Case	VBUS current (μA)	Power (mW)
USB Boot mode - idle	5470	27.4
USB Boot mode - peak during boot	14260	71.3
USB Boot mode - UF2 write	6613	33.1
Hello_serial	12427	62.1
Hello_usb	12740	63.7

Use Case	VBUS current (μA)	Power (mW)
<i>Hello_adc</i>	12503	62.5
<i>CoreMark single core benchmark</i>	9380	46.9

Chapter 5. Applications information

5.1. Programming the flash

The on-board 4 MB QSPI flash can be (re)programmed either using the Serial Wire Debug port or by the special USB Mass Storage Device mode.

The simplest way to reprogram the Pico 2's flash is to use the USB mode. To do this, depower the board, then hold the BOOTSEL button down during board power-up (e.g. hold BOOTSEL down while connecting the USB). The Pico 2 will then appear as a USB Mass Storage Device. Dragging a special `.uf2` file onto the disk will write this file to the flash and restart the Pico 2.

The USB boot code is stored in ROM on RP2350, so can not be accidentally overwritten.

To get started using the SWD port see the `pico/getting-started-with-pico#swd-debug`[Debugging with SWD] section of the [Getting started with Raspberry Pi Pico-series](#) book.

5.2. General purpose I/O

The Raspberry Pi Pico 2's GPIO is powered from the on-board 3.3V rail and is therefore fixed at 3.3V.

The Pico 2 exposes 26 of the 30 possible RP2350 GPIO pins by routing them straight out to Pico 2 header pins. GPIO0 to GPIO22 are digital only and GPIO 26-28 are able to be used either as digital GPIO or as ADC inputs (software selectable).

One thing to note is that the ADC capable GPIO26-29 have an internal reverse diode to the VDDIO (3V3) rail and so the input voltage must not exceed VDDIO plus about 300mV. Also, if the RP2350 is unpowered, applying a voltage to these GPIO pins will 'leak' through the diode into the VDDIO rail. Normal digital GPIO pins 0-25 (and also the debug pins) do not have this restriction and therefore voltage can safely be applied to these pins when RP2350 is unpowered.

5.3. Using the ADC

The RP2350 ADC does not have an on-board reference and therefore uses its own power supply as a reference. On Pico 2 the ADC_AVDD pin (the ADC supply) is generated from the SMPS 3.3V by using an R-C filter (201Ω into 2.2μF). This is a simple solution but does have the following drawbacks:

1. We are relying on the 3.3V SMPS output accuracy, which isn't great.
2. We can only do so much filtering and therefore ADC_AVDD will be somewhat noisy.
3. The ADC draws current (about 150μA if the temperature sense diode is disabled, but it varies from chip to chip) and therefore there will be an inherent offset of about $150\mu\text{A} \times 200 = \sim 30\text{mV}$. There is a small difference in current draw when the ADC is sampling (about +20μA) so that offset will also vary with sampling as well as operating temperature.

Changing the resistance between the ADC_VREF and 3V3 pin can reduce the offset at the expense of more noise - which may be OK especially if the use case can support averaging over multiple samples.

Driving high the SMPS mode pin (GPIO23), to force the power supply into PWM mode, can greatly reduce the inherent ripple of the SMPS at light load, and therefore the ripple on the ADC supply. This does reduce the power efficiency of the board at light load, so the low-power PFM mode can be re-enabled between infrequent ADC measurements by driving GPIO23 low once more. See [Section 5.4](#).

The ADC offset can be reduced by tying a second channel of the ADC to ground, and using this zero-measurement as an

approximation to the offset.

For much improved ADC performance, an external 3.0V shunt reference, such as LM4040, can be connected from the ADC_VREF pin to ground. Note that if doing this the ADC range is limited to 0-3.0V signals (rather than 0-3.3V), and the shunt reference will draw continuous current through the 200Ω filter resistor $(3.3V-3.0V)/200 = \sim 1.5mA$.

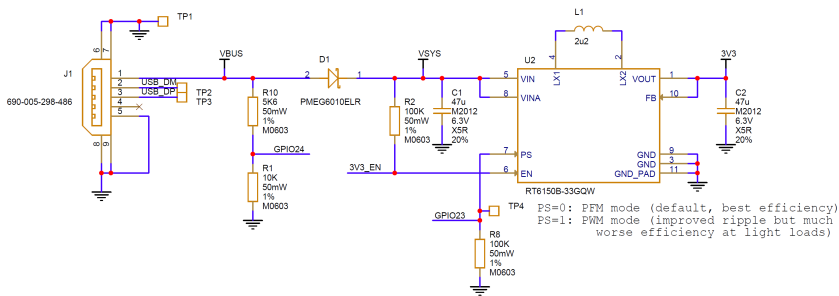
Note that the 1Ω resistor on Pico 2 (R9) is designed to (maybe) help with shunt references that would otherwise become unstable when directly connected to 2.2μF. It also makes sure there is a little filtering even in the case that 3.3V and ADC_VREF are shorted together (which is a valid thing to do if you don't care about noise and want to reduce the inherent offset).

Finally, R7 can be relatively easily removed if a user wants to isolate ADC_VREF and do their own thing with the ADC voltage, for example powering it from an entirely separate voltage (e.g. 2.5V). Note that the ADC on RP2350 has only been qualified at 3.0/3.3V but should work down to about 2V.

5.4. Powerchain

Raspberry Pi Pico 2 has been designed with a simple yet flexible power supply architecture and can easily be powered from other sources such as batteries or external supplies. Integrating the Pico 2 with external charging circuits is also straightforward. Figure 7 shows the power supply circuitry.

Figure 7. The powerchain of the Raspberry Pi Pico 2 board.



VBUS is the 5V input from the micro-USB port, which is fed through a Schottky diode to generate VSYS. The VBUS to VSYS diode (D1) adds flexibility by allowing power ORing of different supplies into VSYS.

VSYS is the main system 'input voltage' and feeds the RT6150 buck-boost SMPS, which generates a fixed 3.3V output for the RP2350 device and its IO (and can be used to power external circuitry). VSYS is R-C filtered and divided by 3 (by R5, R6, R16 and C3 in the Pico 2 schematic) and can be monitored on ADC channel 3. This can be used for example as a crude battery voltage monitor.

The buck-boost SMPS, as its name implies, can seamlessly switch from buck to boost mode, and therefore can maintain an output voltage of 3.3V from a wide range of input voltages, $\sim 1.8V$ to 5.5V, which allows a lot of flexibility in the choice of power source.

GPIO24 monitors the existence of VBUS, while R10 and R1 act to pull VBUS down to make sure it is 0V if VBUS is not present.

GPIO23 controls the RT6150 PS (Power Save) pin. When PS is low (the default on Pico 2) the regulator is in Pulse Frequency Modulation mode, which, at light loads, saves considerable power by only turning on the switching MOSFETs occasionally to keep the output capacitor topped up. Setting PS high forces the regulator into Pulse Width Modulation (PWM) mode. PWM mode forces the SMPS to switch continuously, which reduces the output ripple considerably at light loads (which can be good for some use cases) but at the expense of much worse efficiency. Note that under heavy load the switcher will be in PWM mode irrespective of the PS pin state.

The SMPS EN pin is pulled up to VSYS by a 100kΩ resistor and made available on Pico 2 pin 37. Shorting this pin to ground will disable the switcher and put it into a low power state.

NOTE

The RP2350 has an on-chip switching regulator that powers the digital core at 1.1V (nominal) from the 3.3V supply, which is not shown in [Figure 7](#).

5.5. Powering Pico 2

The simplest way to power Pico 2 is to plug in the micro-USB, which will power VSYS (and therefore the system) from the 5V USB VBUS voltage, via D1 (so VSYS becomes VBUS minus the Schottky diode drop).

If the USB port is the **only** power source, VSYS and VBUS can be safely shorted together to eliminate the Schottky diode drop (which improves efficiency and reduces ripple on VSYS).

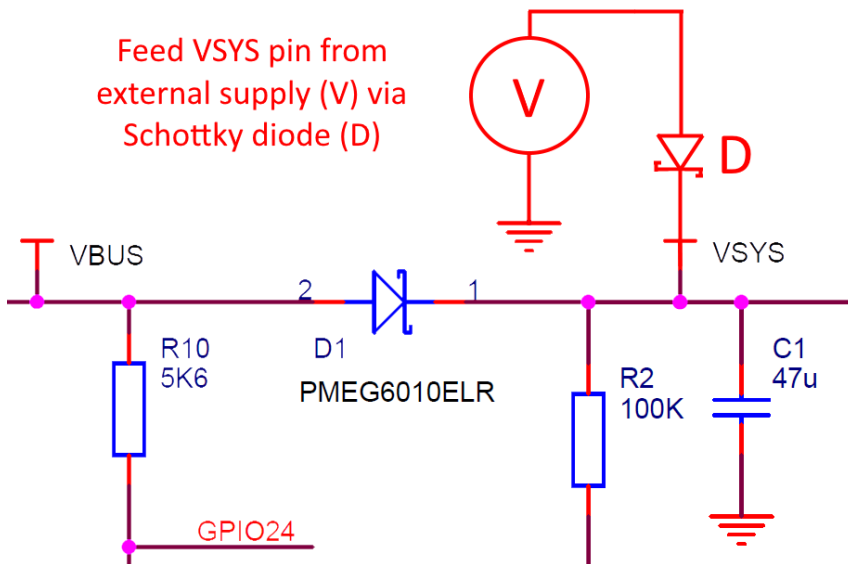
If the USB port is **not** going to be used, it is safe to power Pico 2 by connecting VSYS to your preferred power source (in the range ~1.8V to 5.5V).

IMPORTANT

If you are using Raspberry Pi Pico 2 in USB Host mode (e.g. using one of the TinyUSB host examples) then you must power Pico 2 by providing 5V to the VBUS pin.

The simplest way to safely add a second power source to Pico 2 is to feed it into VSYS via another Schottky diode (see [Figure 8](#)). This will 'OR' the two voltages, allowing the higher of either the external voltage or VBUS to power VSYS, with the diodes preventing either supply from back-powering the other. For example a single Lithium-Ion cell* (cell voltage ~3.0V to 4.2V) will work well, as will 3×AA series cells (~3.0V to ~4.8V) and any other fixed supply in the range ~2.3V to 5.5V. The downside of this approach is that the second power supply will suffer a diode drop in the same way as VBUS does, and this may not be desirable from an efficiency perspective or if the source is already close to the lower range of input voltage allowed for the RT6150.

Figure 8. Raspberry Pi Pico 2 power ORing using diodes.



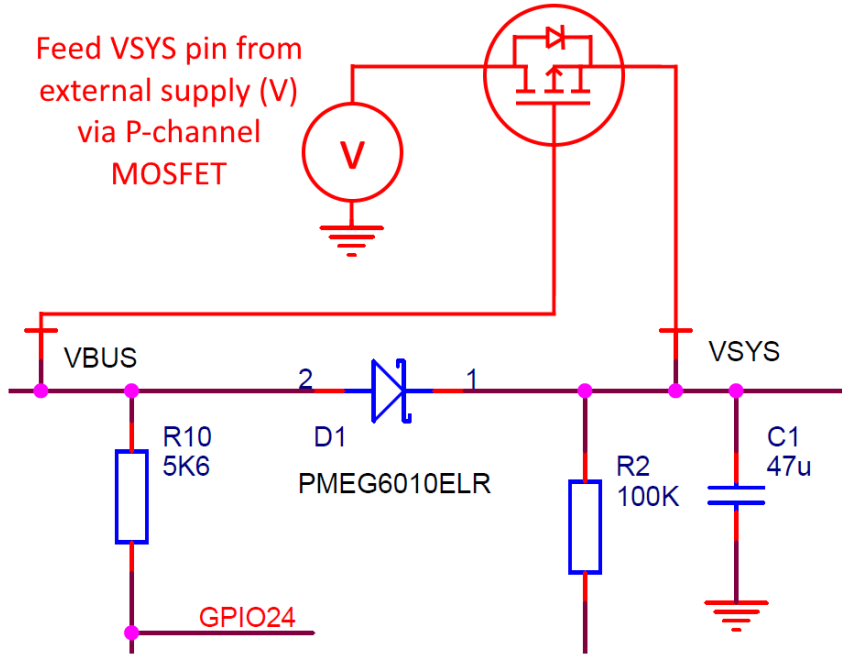
An improved way to power from a second source is using a P-channel MOSFET (P-FET) to replace the Schottky diode as shown in [Figure 9](#). Here, the gate of the FET is controlled by VBUS, and will disconnect the secondary source when VBUS is present. The P-FET should be chosen to have low on resistance, and therefore overcomes the efficiency and voltage-drop issues with the diode-only solution.

Note that the V_t (threshold voltage) of the P-FET must be chosen to be well below the minimum external input voltage, to make sure the P-FET is turned on swiftly and with low resistance. When the input VBUS is removed, the P-FET will not

start to turn on until VBUS drops below the P-FET's V_t , meanwhile the body diode of the P-FET may start to conduct (depending on whether V_t is smaller than the diode drop). For inputs that have a low minimum input voltage, or if the P-FET gate is expected to change slowly (e.g. if any capacitance is added to VBUS) a secondary Schottky diode across the P-FET (in the same direction as the body diode) is recommended. This will reduce the voltage drop across the P-FET's body diode.

An example of a suitable P-MOSFET for most situations is Diodes DMG2305UX which has a maximum V_t of 0.9V and R_{on} of 100m Ω (at 2.5V V_{gs}).

Figure 9. Raspberry Pi Pico 2 power ORing using P channel MOSFET.



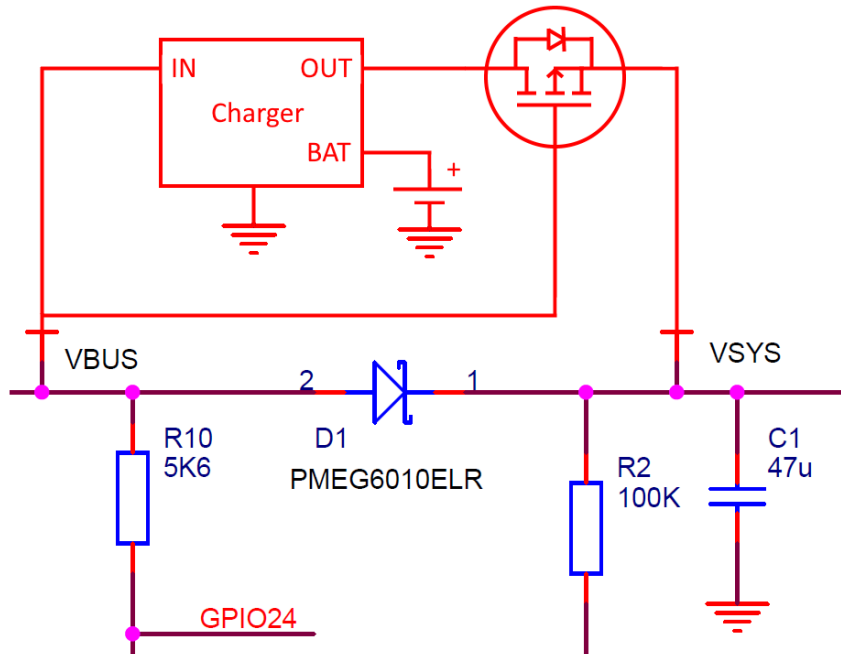
CAUTION

If using Lithium-Ion cells they must have, or be provided with, adequate protection against over-discharge, over-charge, charging outside allowed temperature range, and overcurrent. Bare, unprotected cells are dangerous and can catch fire or explode if over-discharged, over-charged or charged / discharged outside their allowed temperature and/or current range.

5.6. Using a battery charger

Pico 2 can also be used with a battery charger. Although this is a slightly more complex use case it is still straightforward. Figure 10 shows an example of using a 'Power Path' type charger (where the charger seamlessly manages swapping between powering from battery or powering from the input source and charging the battery, as needed).

Figure 10. Using Raspberry Pi Pico 2 with a charger.



In the example we feed VBUS to the input of the charger, and we feed VSYS with the output via the previously mentioned P-FET arrangement. Depending on your use case you may also want to add a Schottky diode across the P-FET as described in the previous section.

5.7. USB

RP2350 has an integrated USB1.1 PHY and controller which can be used in both Device and Host mode. Pico 2 adds the two required 27 Ω external resistors and brings this interface to a standard micro-USB port.

The USB port can be used to access the USB bootloader (BOOTSEL mode) stored in the RP2350 boot ROM. It can also be used by user code, to access an external USB device or host.

5.8. Debugging

Raspberry Pi Pico 2 brings the RP2350 Serial Wire Debug (SWD) interface to a 3 pin debug header on the lower edge of the board. To get started using the debug port see the [pico/getting-started-with-pico#swd-debug](#)[Debugging with SWD] section of the [Getting started with Raspberry Pi Pico-series](#) book.

i NOTE

The RP2350 chip has internal pull up resistors on the SWDIO and SWCLK pins, both nominally 60k Ω .

Appendix A: Availability

Raspberry Pi guarantee availability of the Raspberry Pi Pico 2 product until at least January 2040.

Support

For support see the [Pico section of the Raspberry Pi website](#), and post questions on [the Raspberry Pi forum](#).

Ordering code

Table 3. Part Numbers

Model	Order Code	EAN	Minimal Order Quantity	RRP
Raspberry Pi Pico 2	SC1631	5056561803951	1+ pcs / Bulk	US\$5.00
Raspberry Pi Pico 2 with Headers	SC1632	5056561803968	1+ pcs / Bulk	US\$6.00

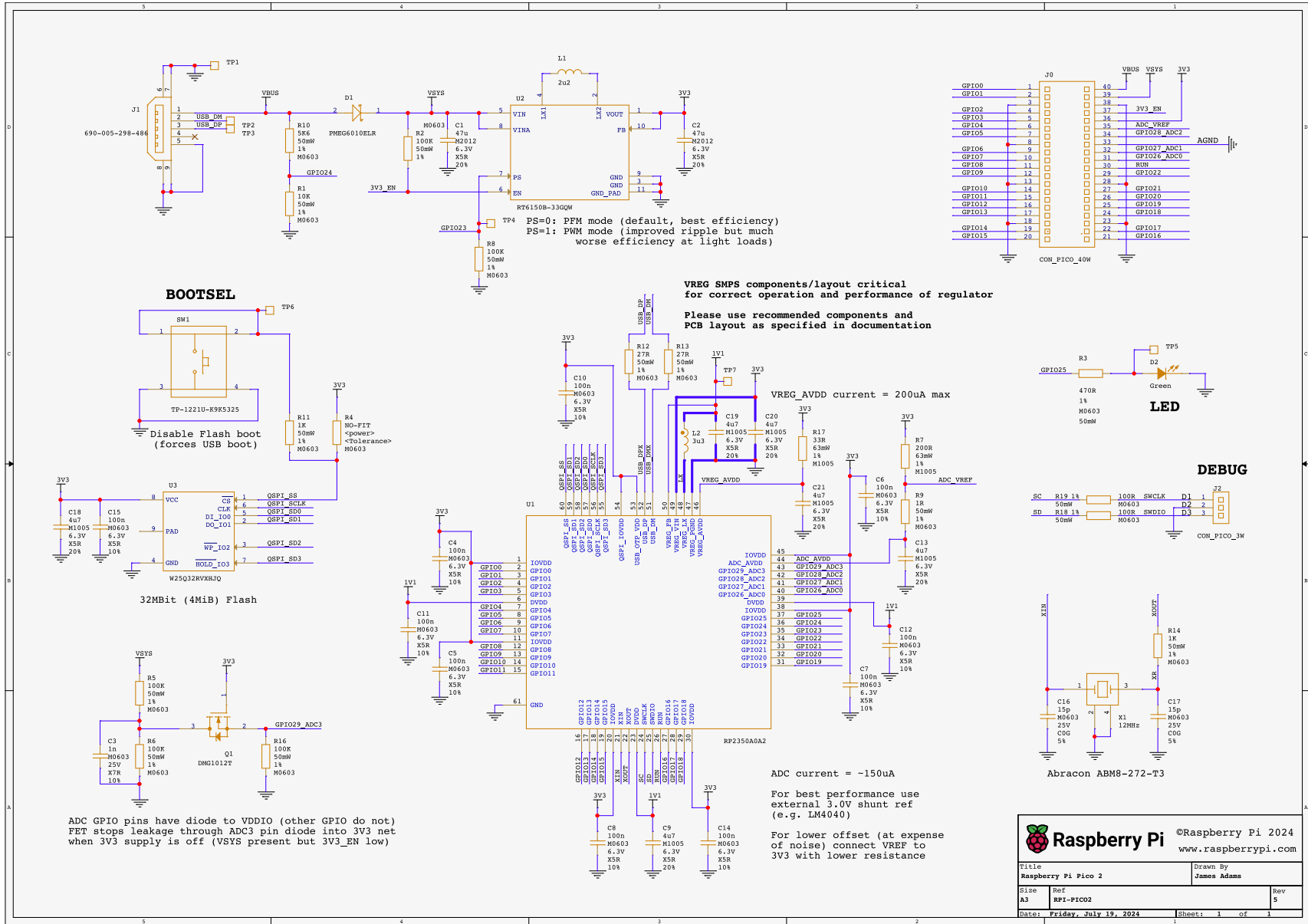
NOTE

RRP was correct at time of publication and excludes taxes.

Appendix B: Pico 2 schematic

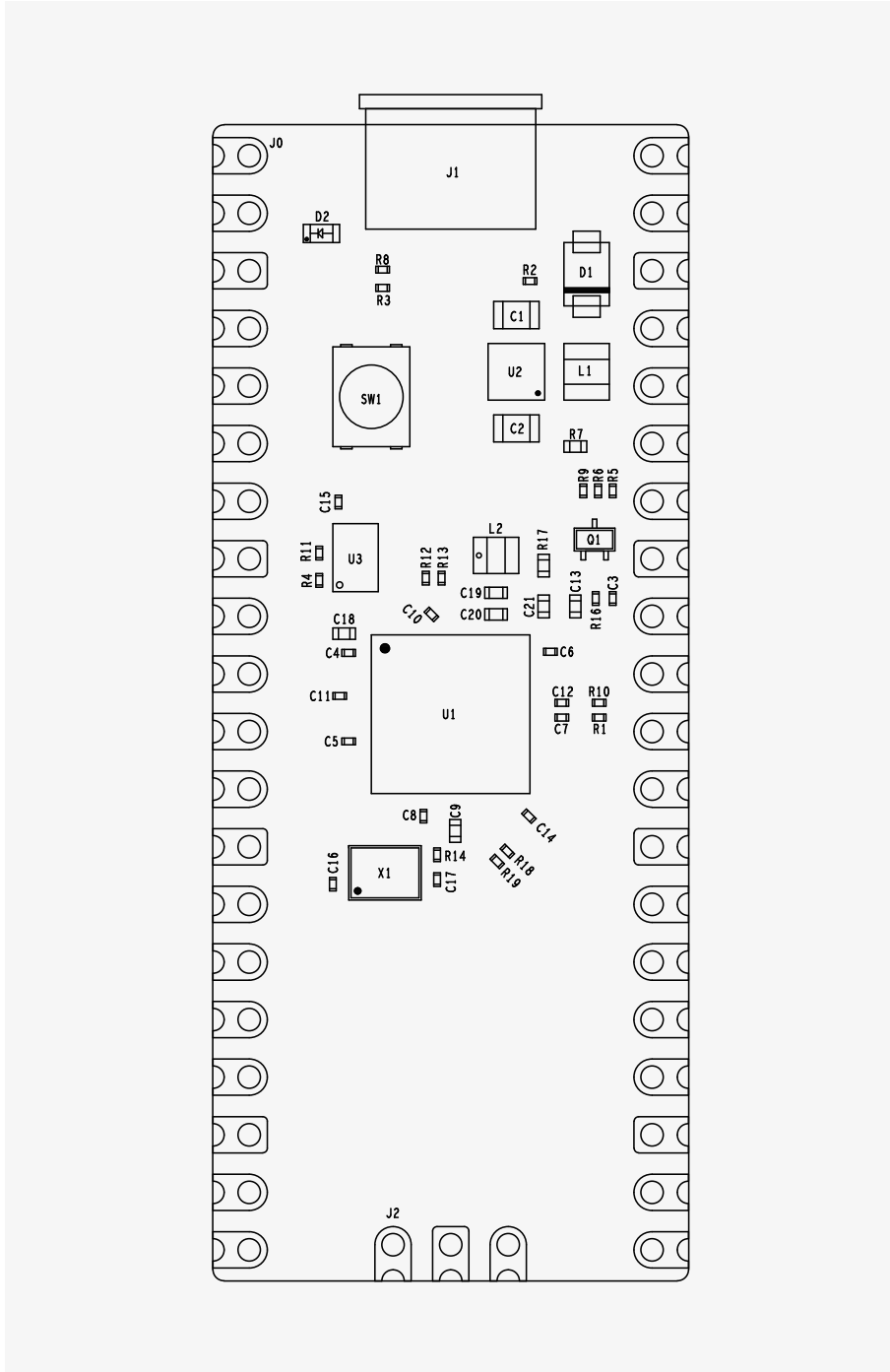
See [Figure 11](#) on the following page.

Figure 11. The Raspberry Pi Pico 2 board schematic.



Appendix C: Pico 2 component locations

Figure 12. The Raspberry Pi Pico 2 board component locations.



Appendix H: Documentation Release History

August 8 2024

Initial release.



Raspberry Pi is a trademark of Raspberry Pi Ltd